

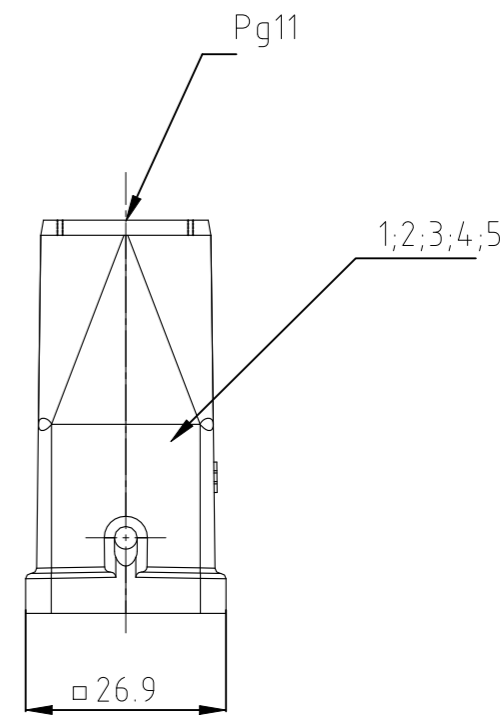
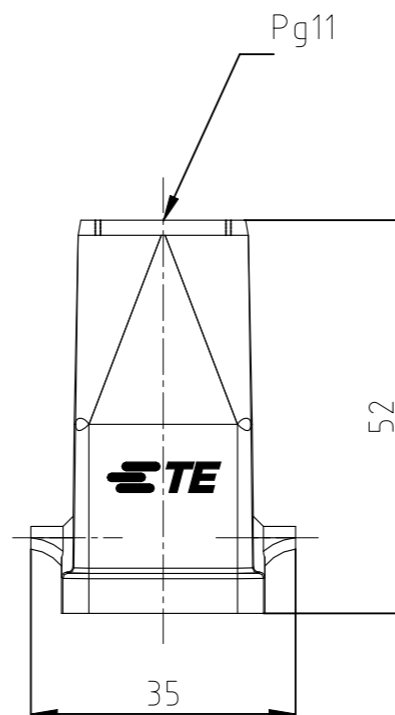
REVISIONS				
P	LTR	DESCRIPTION	DATE	APVD
	B1	REVISED PER ECR-21-123594	31JAN2022	RK JB

Notes:

- 1 Material: zinc diecast
- 2 Surface: Powder coated grey, black, blue
- 3 Varnish on the inside not necessary
- 4 Packaging quantity 10 pieces
- 5 OBSOLETE PARTS: OBSOLETE CIS STREAMLINING PER D.RENAUD/D.SINISI

Bemerkungen:

- 1 Material: Zink-Druckguß Legierung
- 2 Oberfläche: Pulverbeschichtet grau, schwarz, blau
- 3 Lackierung im Gehäuseinnere ist nicht notwendig
- 4 Verpackungsmenge 10 Stück



OBSOLETE	OBSOLETE	OBSOLETE							
1	1	1	-	-	Plug housing HA.3	Zink/zinc diecast	-	light blue 5012/blue	5
1	1	1	-	-	Plug housing HA.3	Zink/zinc diecast	-	aluminum color	4
1	1	1	-	-	Plug housing HA.3	Zink/zinc diecast	-	unvarnished	3
1	1	1	1	-	Plug housing HA.3	Zink/zinc diecast	-	schwarz/black	2
1	1	1	-	1	Plug housing HA.3	Zink/zinc diecast	-	grau/grey	1
0-2	0-1	6-7	2-7	1-7	DESCRIPTION / BENENNUNG	MATERIAL	SURFACE / OBERFLÄCHE	COLOR / FARBE	ITEM NO. POS.

THIS DRAWING IS A CONTROLLED DOCUMENT.

DIMENSIONS: mm

TOLERANCES UNLESS OTHERWISE SPECIFIED:  
 GENERAL TOLERANCES  
 n. ISO 8015  
 n. ISO 2768 - MH - E  
 n. DIN 16901 - 140

0 PLC ±  
 1 PLC ±  
 2 PLC ±  
 3 PLC ±  
 4 PLC ±  
 ANGLES ±

MATERIAL: -

FINISH: -

DWN Schneider 08.12.1998  
 CHK Schweiger 08.12.1998  
 APVD -

PRODUCT SPEC: 108-74000  
 APPLICATION SPEC: 114-74002  
 WEIGHT: -

NAME: Hood HA.3.STO  
 Steckergehaeuse HA.3.STO.1.11.Z

SIZE: A3 CAGE CODE: 00779 DRAWING NO: C-1102101 RESTRICTED TO: -

CUSTOMER DRAWING SCALE: 1:1 SHEET: 1 OF 1 REV: B1