

THIS INFORMATION IS CONFIDENTIAL AND PROPRIETARY TO CW INDUSTRIES INCORPORATED AND ITS AFFILIATES. IT MAY NOT BE DISCLOSED TO ANYONE, OTHER THAN CW INDUSTRIES PERSONNEL, WITHOUT WRITTEN AUTHORIZATION FROM CW INDUSTRIES INCORPORATED, SOUTHAMPTON, PENNSYLVANIA USA.

E

D

C

B

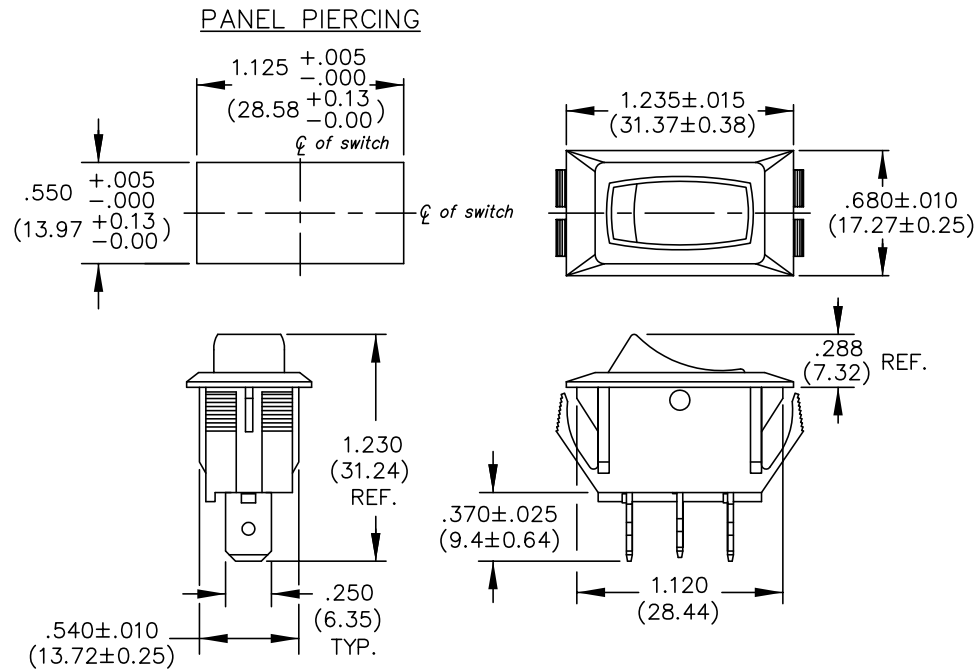
A

DIMENSIONS IN INCHES (MILLIMETERS)
DO NOT SCALE DRAWING

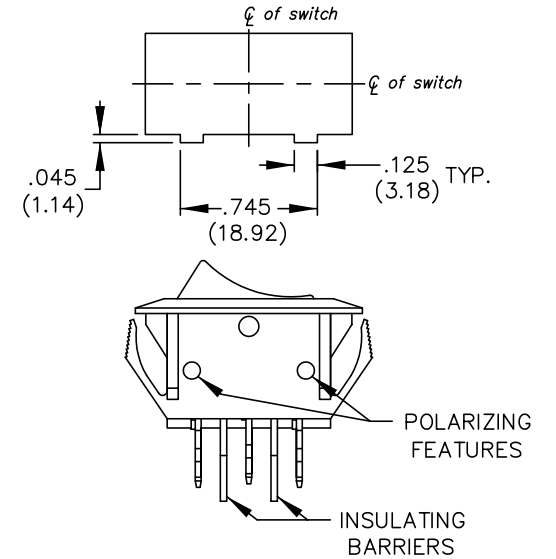
Dwg. No.
GRS-2012A-2XXX

PANEL THICKNESS
.025" to .180"
(0.64mm to 4.57mm)

OPTIONS:



POLARIZED PANEL PIERCING



TERMINAL OPTIONS:

.250" Wide Terminal is standard as Shown in drawing.
.187" Wide Terminal is optional.

1 2 3 4 5 6 7 8 9 10

B-FORMAT 2002

REVISIONS

CW INDUSTRIES
Southampton, Pa. 18966

TOLERANCES UNLESS OTHERWISE SPECIFIED	METRIC
2 Place Decimal $\pm .010$	1 Place Dec. $\pm .25$ mm
3 Place Decimal $\pm .005$	2 Place Dec. $\pm .13$ mm
Angles $\pm 1^\circ$	

Made for: CW IND.
Drawn by: DGW 7-06-2010
Checked by:
Approval:

Title: MOMENTARY ROCKER SWITCH ASSEMBLY
S.P.D.T. WITH OPTIONS
1.125 x .550 PANEL

Division: SWITCH

Dwg. No. GRS-2012A-2XXX