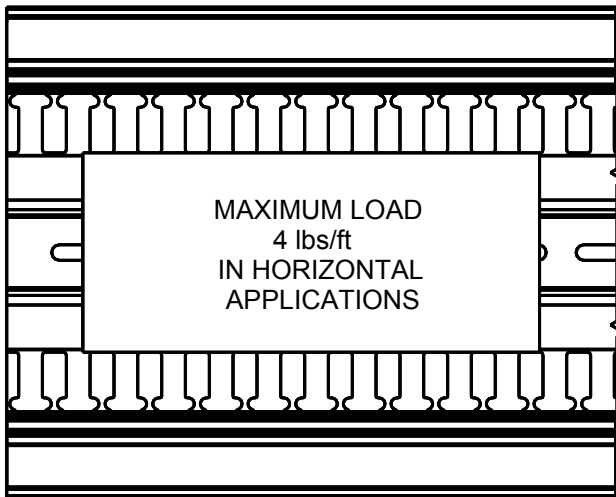


Component Weight and Temperature Compatibility

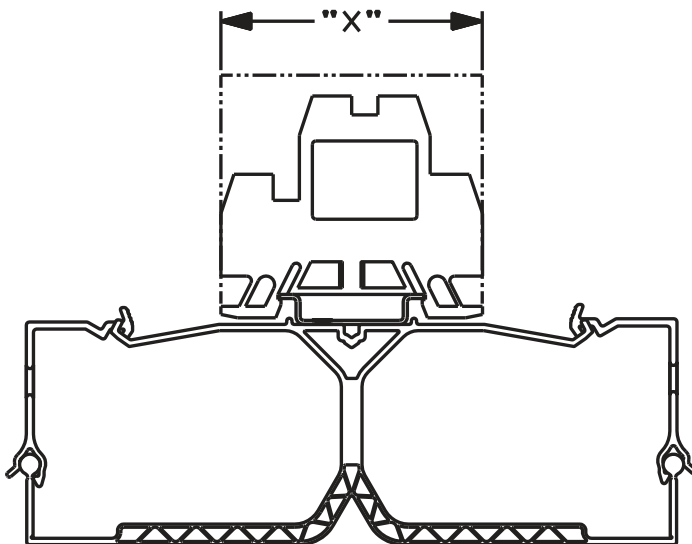


DIN Rail Wiring Duct is designed for use up to but not exceeding the UL recognized continuous use temperature, **50°C (122°F)**. Prolonged exposure to higher temperatures is not recommended and can damage product.



Do not mount heat-generating components such as drives or power supplies to DIN Rail Wiring Duct.

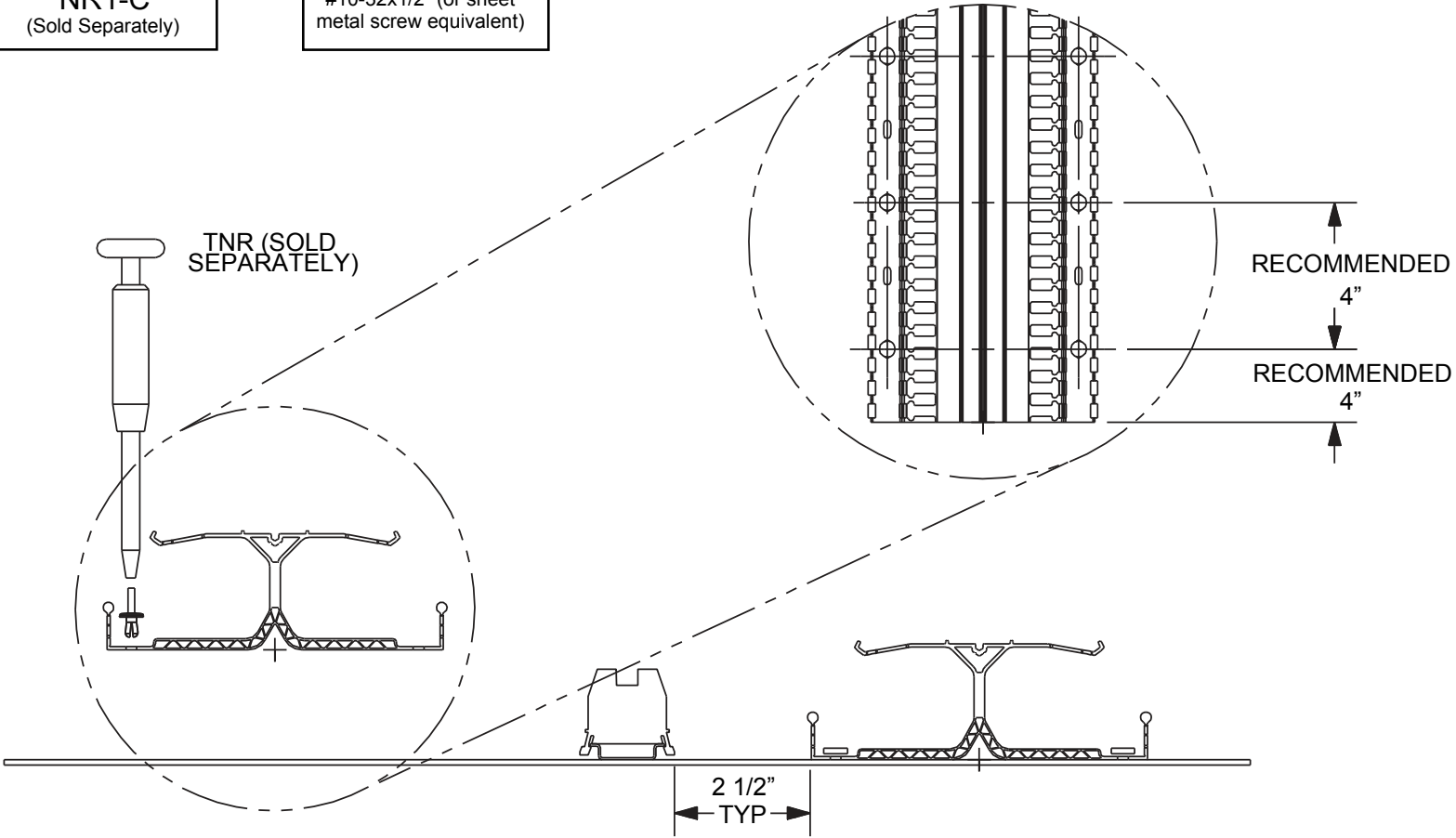
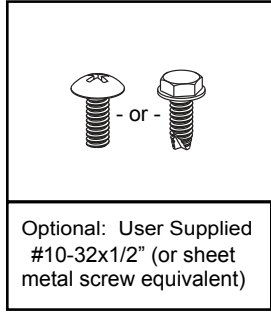
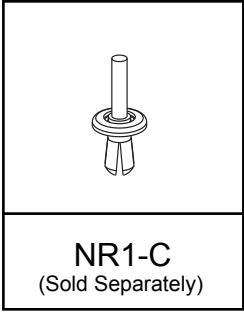
Component Width Compatibility



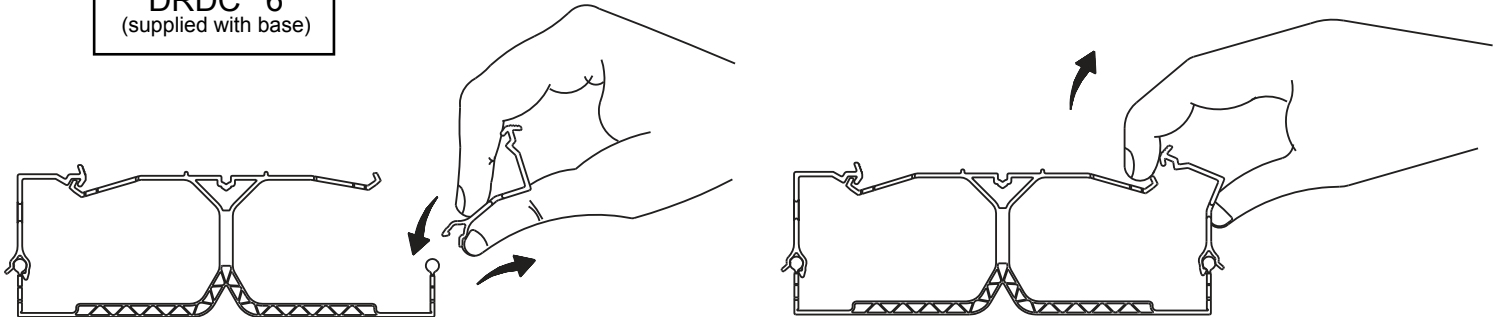
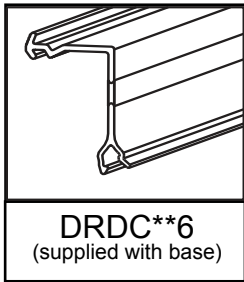
DIN Rail Wiring Duct	Recommended Maximum Component Width "X"
DRD22**6	2 5/8"
DRD33**6	2 5/8"
DRD44**6	3 5/8"

Component use within recommended maximum width ensures top wire slots are fully accessible.

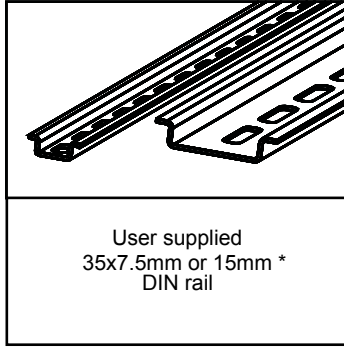
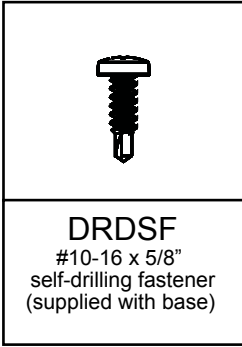
DIN Rail Wiring Duct Installation and Fastener Spacing



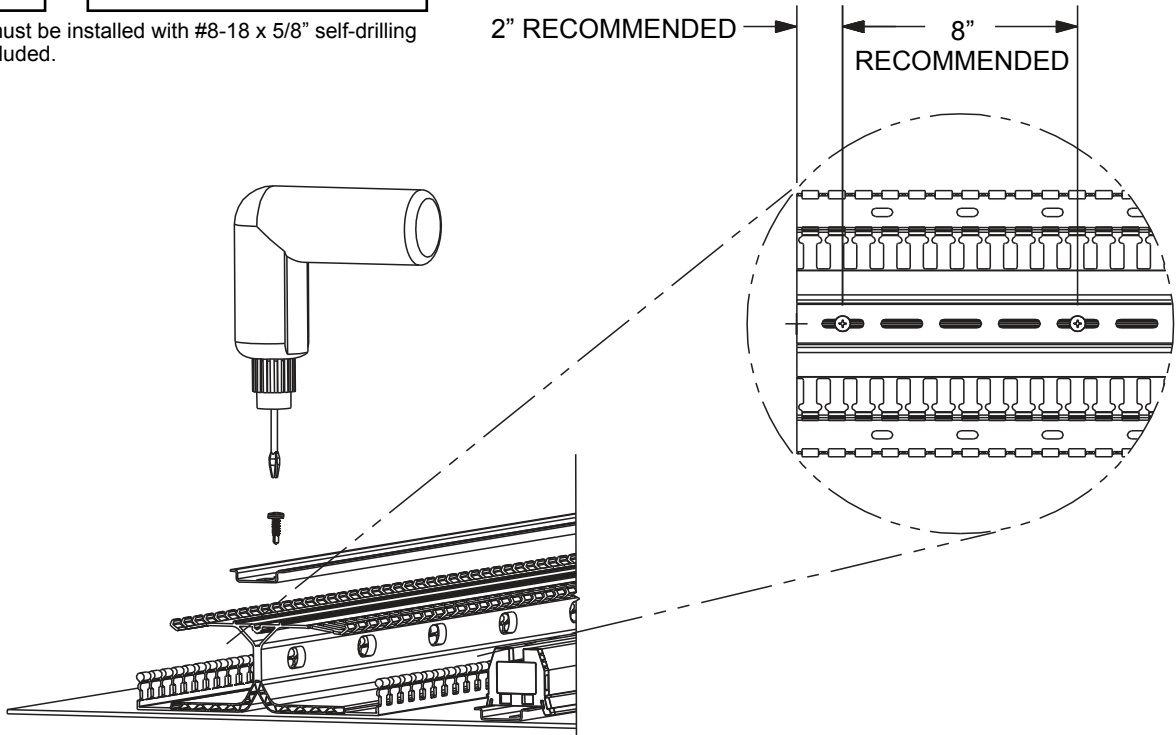
Cover Installation, Operation, and Removal



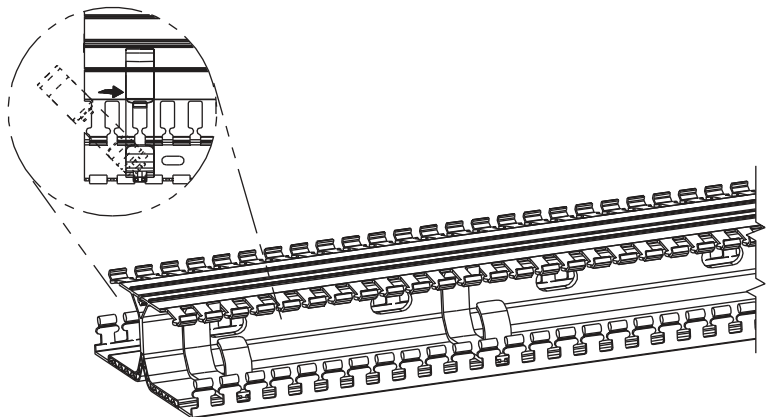
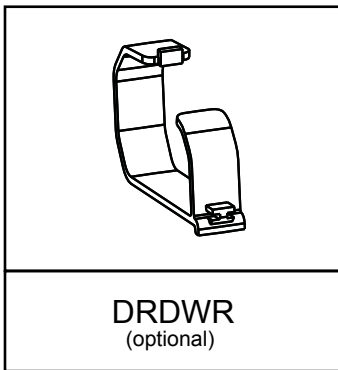
Installing Rail to DIN Rail Wiring Duct



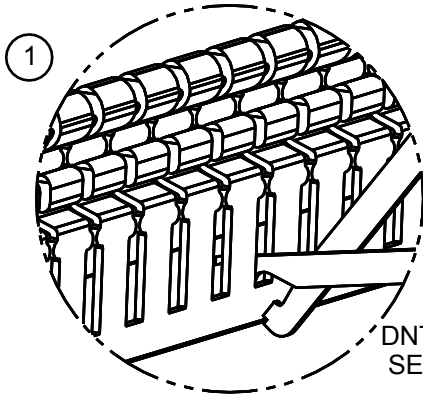
* 15mm DIN rail must be installed with #8-18 x 5/8" self-drilling fastener, not included.



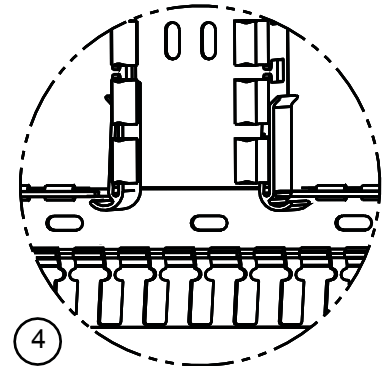
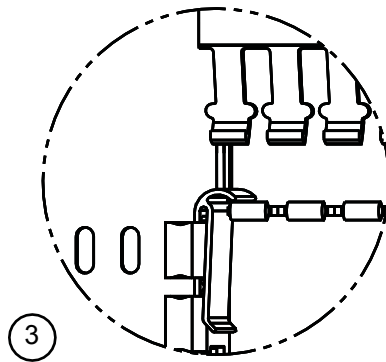
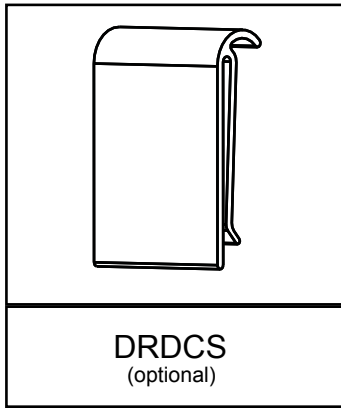
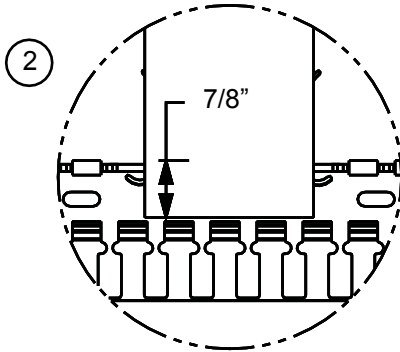
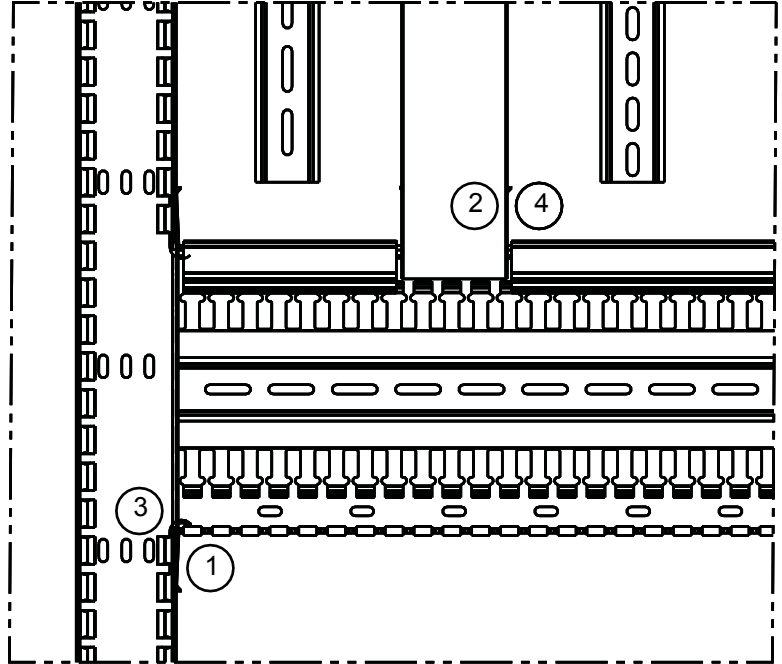
Optional Wire Retainer



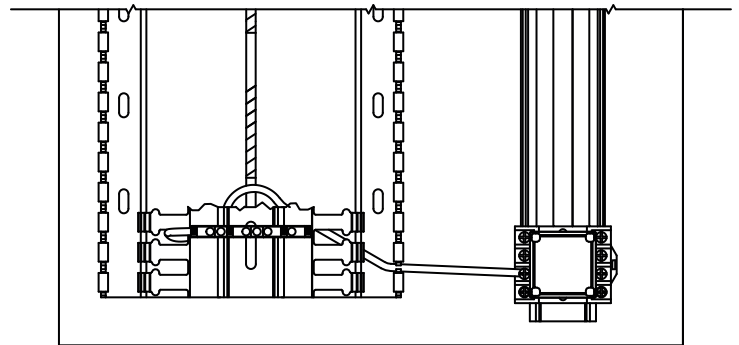
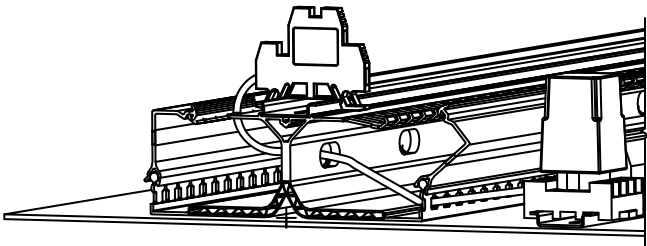
Transitions to Conventional Wiring Duct and Optional Corner Strip



DNT-100 (SOLD SEPARATELY)



Utilizing Pass Through Holes to Shorten Wiring Path



For Instructions in Local Languages
and Technical Support:
www.panduit.com/resources/install_maintain.asp

PANDUIT
www.panduit.com

E-mail:
techsupport@panduit.com
Fax:
866-405-6654