

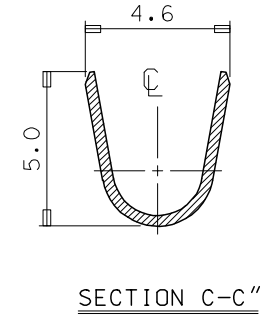
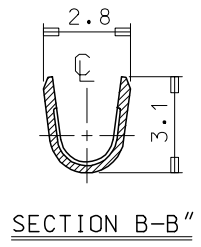
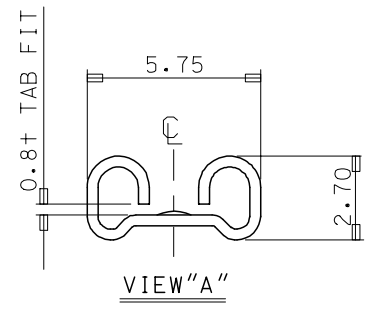
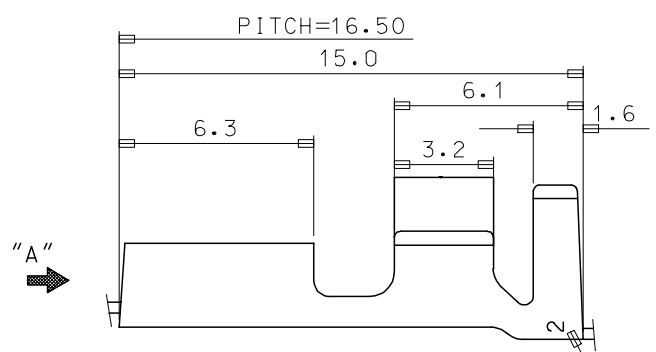
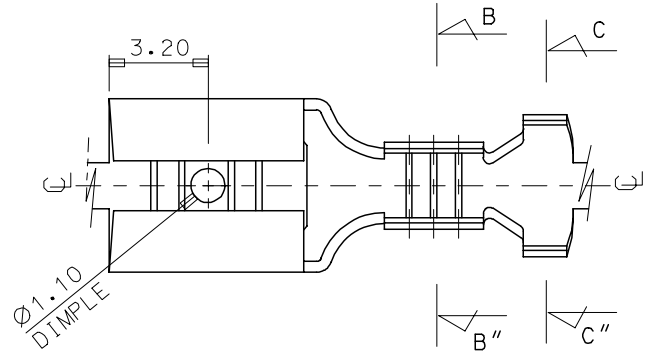
DWG. NO.
SD-35718-10*0

SIMILAR ITEM

PROJECT NO.

B

DO NOT SCALE DRAWING
DIMENSION IN METRIC



- NOTES
1. MATERIAL : BRASS, 0.35THICKNESS
 2. FINISH : 35718-1000:UNPLATED
35718-1010:POST-TIN PLATED

| | | | | | | | | | | | | |
|---|----------------------------------|-----------------|--|---|--------------------------------------|--------------------------------------|--|--|--|-----------------------|-----|-----|
| REVISED ECN NO. KOR2005-0198 DRWN: JB.JIN 05/04/29 CHK: W.Y.YANG APPR: CW.LEE | DESCRIPTION MAJOR CRITICAL | QUALITY SYMBOLS | | GENERAL TOLERANCES: (UNLESS SPECIFIED) | | SCALE 6:1 | DESIGN UNITS <input checked="" type="checkbox"/> mm <input type="checkbox"/> INCH | <input checked="" type="checkbox"/> THIRD ANGLE <input type="checkbox"/> FIRST ANGLE PROJECTION | DIMENSIONS: <input type="checkbox"/> mm <input type="checkbox"/> INCH <input checked="" type="checkbox"/> mm ONLY | | SHT | REV |
| | | 4 PLACES | ±0. | ±- | DRAWN BY & DATE W.Y.YANG 93/05/24 | TITLE: .187 SLIP-ON REC' TERMINAL | | | SHEET NO. 1 OF 1 | REVISE ON CAD ONLY | | |
| 3 PLACES | ±0. | ±- | CHECKED BY & DATE B.K.CHOI 93/05/24 | MOLEX INCORPORATED | | | | | | | | |
| 2 PLACES | ±0.30 | ±- | APPROVED BY & DATE C.W.LEE 93/05/24 | CAD FILENAME S7181000AAMI | MATERIAL NO. SEE NOTES | DRAWING NO. SD-35718-10*0 | THIS DRAWING CONTAINS INFORMATION THAT IS PROPRIETARY TO MOLEX INCORPORATED AND SHOULD NOT BE USED WITHOUT WRITTEN PERMISSION. | | SIZE B | | | |
| 1 PLACE | ±0.20 | ±- | ANGULAR: ± ° | DRAFT WHERE APPLICABLE MUST REMAIN WITHIN DIMENSIONS | | KOREA | | MX-A3 | | | | |