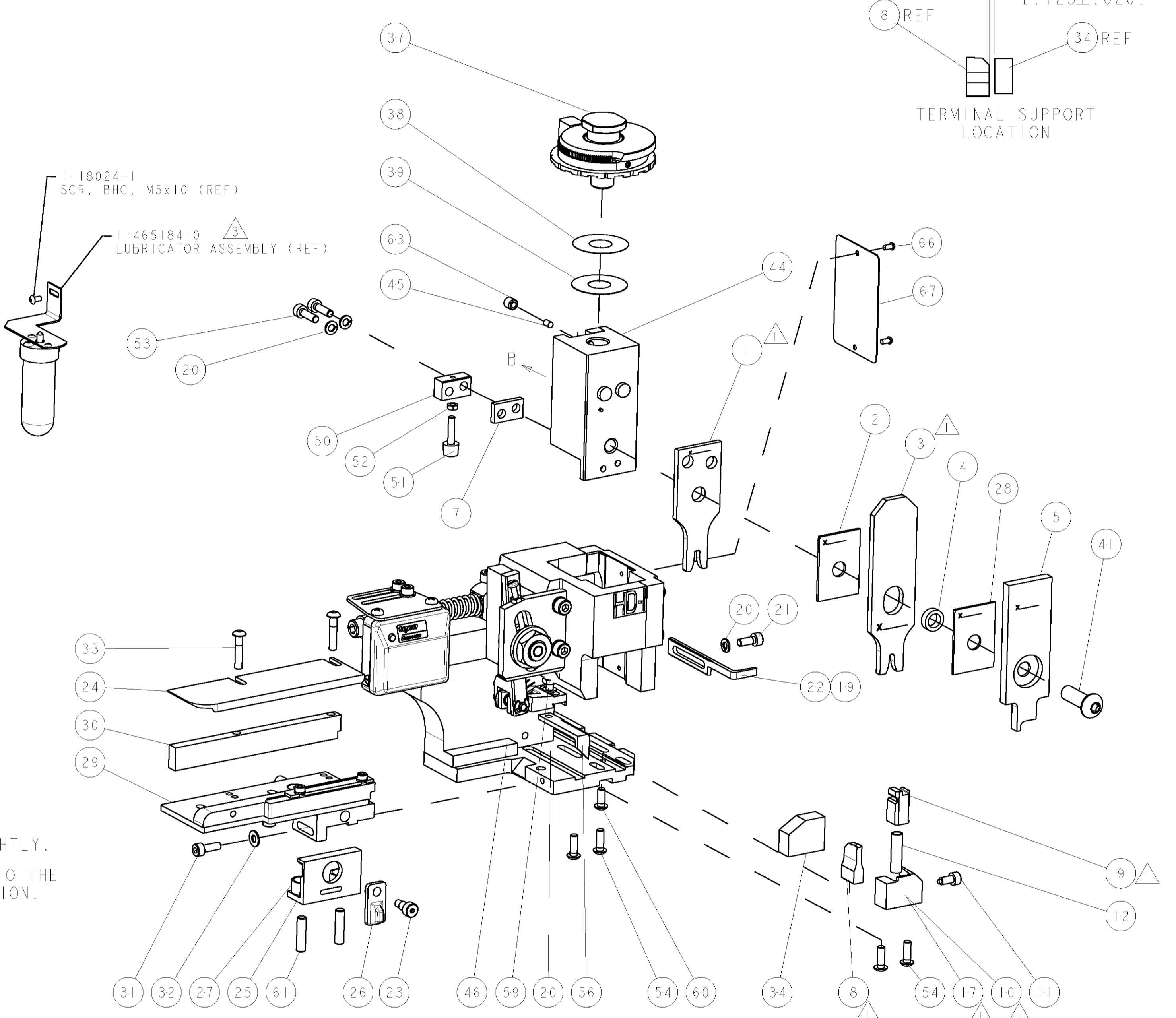


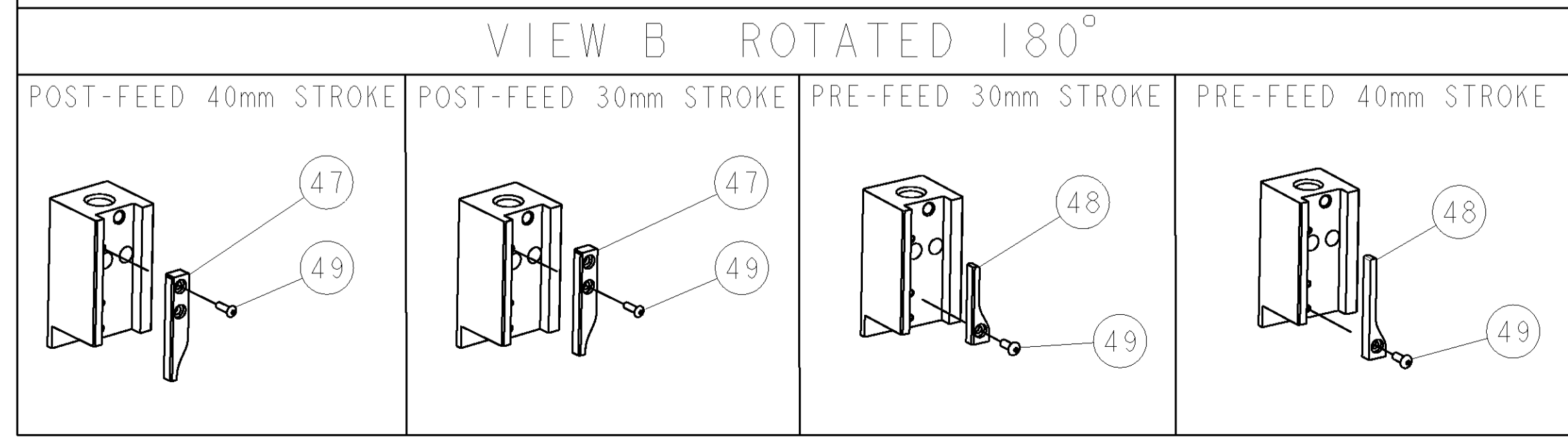
| PART NUMBER | REV | TERMINATOR | FEED TYPE      | DESCRIPTION        |
|-------------|-----|------------|----------------|--------------------|
| 1528885-1   | A   | LEADMAKER  | MECH POST FEED | CUTS CARRIER       |
| 1528885-2   | A   | BENCH      | MECH PRE FEED  | CUTS CARRIER       |
| 1528885-6   | A   | LEADMAKER  | MECH POST FEED | CONTINUOUS CARRIER |
| 7-1528885-1 | A   | LEADMAKER  | MECH POST FEED | -1 AND SPARE PARTS |
| 7-1528885-2 | A   | BENCH      | MECH PRE FEED  | -2 AND SPARE PARTS |
| 7-1528885-6 | A   | LEADMAKER  | MECH POST FEED | -6 AND SPARE PARTS |
| 7-1528885-7 | A   | -          | -              | SPARE PARTS KIT    |

| CRIMP DATA                                    |                               | TE TERMINAL                              | TE CRIMP SPECS            |
|---|-------------------------------|--|---------------------------|
| TERMINAL NAME: RING TONGUE, M4                |                               |  |                           |
| CRIMP   | SIZE                          | TYPE                                     | RANGE                     |
| WIRE  | 3.30 [1.30 IN]                | F  | 0.75-1.00mm <sup>2</sup>  |
| INSUL   | 3.30 [1.30 IN]                | O  | 1.55-2.10 [1.061-.082 IN] |
| WIRE STRIP LENGTH<br>4.30-5.10 [1.69-.200 IN] |                               | APPL INSTRUCTIONS<br>408-8322 & 408-8490 |                           |
| TERMINAL APPL SPEC<br>114-18022               |                               | FEED<br>11.00 [4.33 IN]                  |                           |
| TERMINALS APPLIED                             |                               |  |                           |
| 1670969                                       | -                             | -  | -                         |
| -   | -                             | -  | -                         |
| -   | -                             | -  | -                         |
| -   | -                             | -  | -                         |
| -   | -                             | -  | -                         |
| WIRE SIZE                                     | CRIMP HEIGHT                  | REF SETTING                              |                           |
| 1.00mm <sup>2</sup>                           | 2.24 ± 0.05 [1.088 ± .002 IN] | D 5                                      |                           |
| 0.75mm <sup>2</sup>                           | 2.18 ± 0.05 [1.086 ± .002 IN] | E 1                                      |                           |



- △ RECOMMENDED SPARE PARTS.
- 2. GREASE RAM, CAM, CAM FOLLOWER AND FEED ROD LIGHTLY.
- △ CERTAIN TERMINALS REQUIRE LUBRICATION. REFER TO THE APPLICATOR INSTRUCTION SHEET FOR MORE INFORMATION.
- 4. LUBRICATE DAILY PER THE APPLICATOR INSTRUCTION SHEET SUPPLIED WITH THE APPLICATOR.

\* WARNING  
ON INSTALLATION, SET WIRE DISC TO LARGEST WIRE SIZE SETTING. USE OF SETTINGS BELOW MIN. REQUIRED CRIMP HEIGHT SETTING WILL CAUSE DAMAGE TO CRIMP TOOLING.



| -77 | -76 | -72 | -71 | -6 | -2 | -1 | PART NO | DESCRIPTION | ITEM NO |
|-----|-----|-----|-----|----|----|----|---------|-------------|---------|
| -   | -   | -   | -   | -  | -  | -  | -       | -           | 84      |
| -   | -   | -   | -   | -  | -  | -  | -       | -           | 83      |
| -   | -   | -   | -   | -  | -  | -  | -       | -           | 82      |
| -   | -   | -   | -   | -  | -  | -  | -       | -           | 81      |
| -   | -   | -   | -   | -  | -  | -  | -       | -           | 80      |
| -   | -   | -   | -   | -  | -  | -  | -       | -           | 79      |
| -   | -   | -   | -   | -  | -  | -  | -       | -           | 78      |
| -   | -   | -   | -   | -  | -  | -  | -       | -           | 77      |
| -   | -   | -   | -   | -  | -  | -  | -       | -           | 76      |
| -   | -   | -   | -   | -  | -  | -  | -       | -           | 75      |
| -   | -   | -   | -   | -  | -  | -  | -       | -           | 74      |

| SET UP GAGE 458637-3 |    | LOC | DIST | REVISONS |                   |           |        |
|----------------------|----|-----|------|----------|-------------------|-----------|--------|
| A                    | 66 |     |      | REV      | DATE              | BY        | APPV   |
|                      |    |     |      | A        | SEE ECO-08-007667 | 27MAR2008 | LJL MC |

| REV | DATE | BY | APPV | DESCRIPTION | ITEM NO |             |                                 |    |
|-----|------|----|------|-------------|---------|-------------|---------------------------------|----|
| -   | -    | -  | -    | -           | 73      |             |                                 |    |
| -   | -    | -  | -    | -           | 72      |             |                                 |    |
| -   | 1    | 1  | 1    | 1           | 1       | 1338705-3   | DOCUMENTATION PACKAGE           | 71 |
| -   | -    | -  | -    | -           | 70      |             |                                 |    |
| -   | -    | -  | -    | -           | 69      |             |                                 |    |
| -   | -    | -  | -    | -           | 68      |             |                                 |    |
| -   | 1    | 1  | 1    | 1           | 1       | 461264-5    | PLATE, IDENTIFICATION           | 67 |
| -   | 2    | 2  | 2    | 2           | 2       | 21017-2     | SCREW, DRIVE                    | 66 |
| -   | -    | -  | -    | -           | 65      |             |                                 |    |
| -   | -    | -  | -    | -           | 64      |             |                                 |    |
| -   | 1    | 1  | 1    | 1           | 1       | 3-18031-0   | SCR, SET, CUP POINT M6 X 6.0    | 63 |
| -   | -    | -  | -    | -           | 62      |             |                                 |    |
| -   | 2    | 2  | 2    | 2           | 2       | 2-18032-5   | SCR, SET, FLT POINT M5 X 20.0   | 61 |
| -   | 1    | 1  | 1    | 1           | 1       | 18024-7     | SCR, BTN SKT HD CAP (M4 X 10.0) | 60 |
| -   | 1    | 1  | 1    | 1           | 1       | 5-18022-2   | SCR, HEX HD CAP M4 X 8.0        | 59 |
| -   | -    | -  | -    | -           | 58      |             |                                 |    |
| -   | -    | -  | -    | -           | 57      |             |                                 |    |
| -   | 1    | 1  | 1    | 1           | 1       | 1338685-1   | PAWL, FEED                      | 56 |
| -   | -    | -  | -    | -           | 55      |             |                                 |    |
| -   | 4    | 4  | 4    | 4           | 4       | 18024-8     | SCR, BTN SKT HD CAP (M4 X 12.0) | 54 |
| -   | 2    | 2  | 2    | 2           | 2       | 9-18023-6   | SCR, SKT HD CAP M4 X 14.0       | 53 |
| -   | 1    | 1  | 1    | 1           | 1       | 18030-1     | NUT, HEX, REG M3                | 52 |
| -   | 1    | 1  | 1    | 1           | 1       | 811242-5    | BUMPER, HOLD DOWN               | 51 |
| -   | 1    | 1  | 1    | 1           | 1       | 690753-2    | SPACER, TONKER                  | 50 |
| -   | 1    | 1  | 1    | 1           | 1       | 18024-3     | SCR, BTN SKT HD CAP (M3 X 10.0) | 49 |
| -   | 1    | 1  | 1    | 1           | 1       | 1338675-1   | CAM, UNIVERSAL PRE FEED         | 48 |
| -   | 1    | 1  | 1    | 1           | 1       | 1338676-1   | CAM, UNIVERSAL POST-FEED        | 47 |
| -   | 1    | 1  | 1    | 1           | 1       | 1320999-3   | APPLICATOR SUBASSEMBLY, HDI     | 46 |
| -   | 1    | 1  | 1    | 1           | 1       | 690191-1    | PLUG, NYLON                     | 45 |
| -   | 1    | 1  | 1    | 1           | 1       | 1333257-1   | RAM                             | 44 |
| -   | -    | -  | -    | -           | 43      |             |                                 |    |
| -   | -    | -  | -    | -           | 42      |             |                                 |    |
| -   | 1    | 1  | 1    | 1           | 1       | 2-18024-6   | SCR, BTN SKT HD CAP (M8 X 25.0) | 41 |
| -   | -    | -  | -    | -           | 40      |             |                                 |    |
| -   | 1    | 1  | 1    | 1           | 1       | 690125-1    | SHIM SUB-ASSY                   | 39 |
| -   | 1    | 1  | 1    | 1           | 1       | 469367-2    | SHIM                            | 38 |
| -   | 1    | 1  | 1    | 1           | 1       | 879103-2    | FINE ADJUST HEAD ASSEMBLY       | 37 |
| -   | -    | -  | -    | -           | 36      |             |                                 |    |
| -   | -    | -  | -    | -           | 35      |             |                                 |    |
| -   | 1    | 1  | 1    | 1           | 1       | 1320934-1   | SUPPORT, TERMINAL               | 34 |
| -   | 2    | 2  | 2    | 2           | 2       | 1-18024-0   | SCR, BTN SKT HD CAP (M4 X 20.0) | 33 |
| -   | 1    | 1  | 1    | 1           | 1       | 18027-2     | WASHER, FLAT, REG M4            | 32 |
| -   | 1    | 1  | 1    | 1           | 1       | 1-18023-2   | SCR, SKT HD CAP M4 X 12.0       | 31 |
| -   | 1    | 1  | 1    | 1           | 1       | 1320908-2   | SPACER, STRIP GUIDE             | 30 |
| -   | 1    | 1  | 1    | 1           | 1       | 1633073-1   | STRIP GUIDE ASSEMBLY            | 29 |
| -   | 1    | 1  | 1    | 1           | 1       | 1-455888-0  | SPACER, CRIMPER                 | 28 |
| -   | 2    | 2  | 2    | 2           | 2       | 1-22284-0   | SPRING, COMPRESSION             | 27 |
| -   | 1    | 1  | 1    | 1           | 1       | 356835-1    | LEVER, DRAG RELEASE             | 26 |
| -   | 1    | 1  | 1    | 1           | 1       | 240792-1    | DRAG, TERMINAL                  | 25 |
| -   | 1    | 1  | 1    | 1           | 1       | 1320928-1   | PLATE, STRIP GUIDE              | 24 |
| -   | 1    | 1  | 1    | 1           | 1       | 980371-4    | SCR, SKT HD SHLDR 5.0 DIA X 6.0 | 23 |
| -   | 1    | 1  | 1    | 1           | 1       | 690472-2    | STRIPPER                        | 22 |
| -   | 1    | 1  | 1    | 1           | 1       | 1-18023-1   | SCR, SKT HD CAP M4 X 10.0       | 21 |
| -   | 4    | 4  | 4    | 4           | 4       | 18025-2     | WASHER, SPRG LOCK, REG M4       | 20 |
| -   | 1    | 1  | 1    | 1           | 1       | 690472-1    | STRIPPER                        | 19 |
| -   | -    | -  | -    | -           | 18      |             |                                 |    |
| -   | 1    | 1  | 1    | 1           | 1       | 1338684-6   | SHEAR HOLDER, FRONT             | 17 |
| -   | -    | -  | -    | -           | 16      |             |                                 |    |
| -   | -    | -  | -    | -           | 15      |             |                                 |    |
| -   | -    | -  | -    | -           | 14      |             |                                 |    |
| -   | -    | -  | -    | -           | 13      |             |                                 |    |
| -   | 1    | 1  | 1    | 1           | 1       | 3-22280-3   | SPRING, COMPRESSION             | 12 |
| -   | 1    | 1  | 1    | 1           | 1       | 356885-4    | STOP, SHEAR                     | 11 |
| -   | 1    | 1  | 1    | 1           | 1       | 1-1320921-3 | SHEAR HOLDER, FRONT, CUT        | 10 |
| -   | 1    | 1  | 1    | 1           | 1       | 454276-1    | FLOATING SHEAR, FRONT           | 9  |
| 1   | 2    | 2  | 2    | 1           | 1       | 5-1633139-6 | ANVIL, COMBINATION              | 8  |
| -   | 1    | 1  | 1    | 1           | 1       | 240641-5    | SPACER                          | 7  |
| -   | -    | -  | -    | -           | 6       |             |                                 |    |
| -   | 1    | 1  | 1    | 1           | 1       | 2-455889-0  | DEPRESSOR, SHEAR                | 5  |
| -   | 1    | 1  | 1    | 1           | 1       | 4-238011-5  | BLOCK, CRIMPER SPACER           | 4  |
| 1   | 2    | 2  | 2    | 1           | 1       | 1-1633510-8 | CRIMPER, INSUL 0                | 3  |
| -   | 1    | 1  | 1    | 1           | 1       | 1-455888-2  | SPACER, CRIMPER                 | 2  |
| 1   | 2    | 2  | 2    | 1           | 1       | 3-456410-7  | CRIMPER, WIRE PREMIUM           | 1  |

| ITEM NO | PART NO | DESCRIPTION |     |    |    |    |         |             |         |
|---------|---------|-------------|-----|----|----|----|---------|-------------|---------|
| -77     | -76     | -72         | -71 | -6 | -2 | -1 | PART NO | DESCRIPTION | ITEM NO |