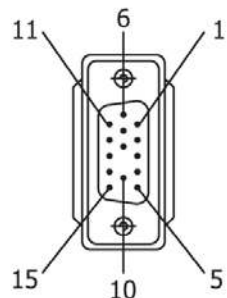
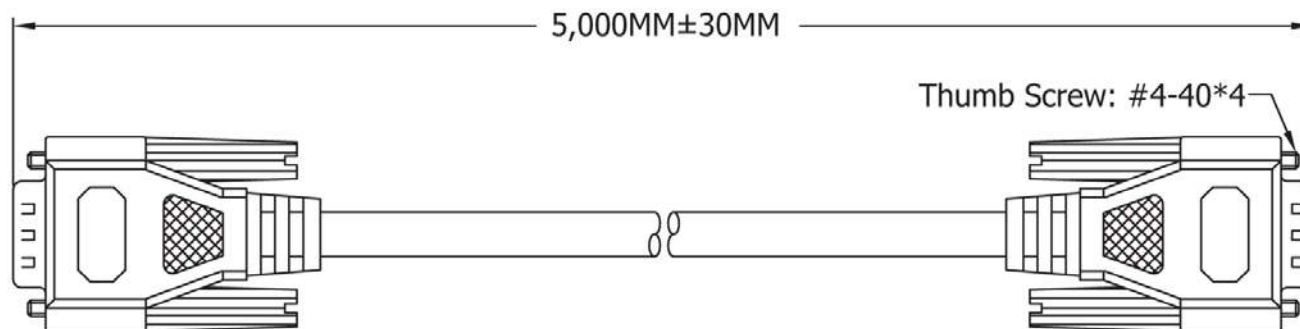


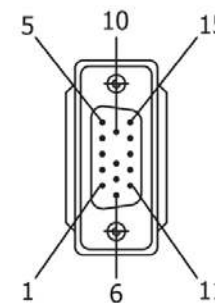
HDB 15 Male  
Plastic: Blue



P1



HDB 15 Male  
Plastic: Blue



P2

**Material:**

1.CABLE:28AWG(7/0.127 T.C)\*3COAX(75 OHMS)+INSULATION:FO-PE INNER  
 JACKET:PVC OD:Ø2.5± 0.1mm(UL-1354)+28AWG(7/0.127 T.C)\*7C+  
 INSULATION:SR-PVC ID:Ø0.85± 0.05mm(UL-1061)+AL/MY+DRAIN  
 WIRE:26AWG(7/0.16 T.C)+BRAID SHIELD(85%)+OUTER JACKET:PVC  
 COLOR:BEIGE, OD:Ø8.5± 0.15mm UL-2919

2.CONNECTOR:

P1&P2:HDB 15P MALE,THE 9TH PIN IS EMPTY GOLD FLASH CONTACT,  
 NICKEL PLATED SHELL

3.SHIELD:COPPER-FOIL 360° SOLDERED TO CONNECTOR SHELL & CABLE BRAID  
 4.HOOD:MOLDED TYPE,PVC 45P,COLOR:BEIGE.

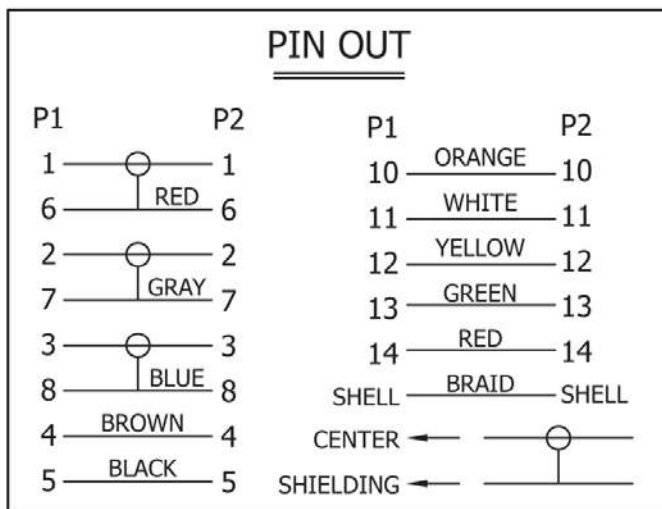
5.ELECTRONIC TEST:

- <1>.100% OPEN SHORT & MIS WIRE TEST
- <2>.CONTACT RESISTANCE 3OHMS MAX
- <3>.INSULATION RESISTANCE 20MOHMS MIN

6.PACKING:SEE P-0039 REV.C PACKING DRAWING

(HANKING SIZE MUST BE SMALLER THAN PACKING)  
 PACKING TYPE: DB VP4.

**PIN OUT**



⊕ = Assmann logo



ITEM NO.

**AK3770X-5**

TITLE

Premium XGA Monitor Connection cable -  
 HD D-Sub 15-pin Male <=> Male, 5 Meters

**ASSMANN**  
 Electronics, Inc.

1840 W. Drake Drive, Suite 101 • Tempe, AZ 85283  
 Toll Free: 1-877-277-6266 • Email: info@usa-assmann.com

THIS DRAWING IS UNPUBLISHED  
 ©Copyright 2010 by Assmann Electronic Components  
 All International Rights Reserved