

## AN-1606 551012875, 551012922 Universal Op Amp Evaluation Boards (SOT-23 and SC-70)

### 1 Overview

The 551012875 and 551012922 Universal Evaluation Boards are designed to aid in the evaluation and testing of Texas Instruments low voltage/low power and some precision operational amplifiers. These boards will accommodate op amps that are assembled in a 6-Pin or 5-Pin SOT-23 and SC-70 package, regardless of the pin orientation.

This board is designed to use one or two amplifiers. Many different circuits can be made such as inverting, non-inverting, and differential-IN-differential-OUT amplifiers and low-pass, high-pass, band-pass, band-reject, or notch second-order filters. The amplifiers can be powered with single or dual supplies. These circuits can be configured without any modifications to the board; all that is necessary is to select the correct resistors and capacitors. The other optional components can be left open or shorted depending on the configuration desired.

These universal evaluation boards are designed as two-layer boards; the top side of each is designed for op amps with a pinout as shown in [Figure 1](#).

The bottom side of each board is designed for op amps with the pinout shown in [Figure 2](#). The board has been manufactured with vias connecting the equivalent pins of the top and bottom amplifiers. For example, Pin 1 of IC<sub>1A</sub> is connected to Pin 3 of IC<sub>2A</sub>. Similarly all other equivalent pins of the top and bottom amplifiers are connected. This allows for an efficient use of one board to test two amplifiers of different package types while keeping the same components on the board; just make sure that only one amplifier is soldered to the same pads.

Circuit performance of this evaluation board will be comparable to final production designs. Use this evaluation board as a guide for general layout and a tool to aid in device testing and characterization.

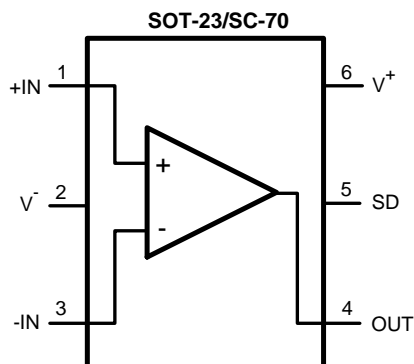


Figure 1. Connection Diagram for IC<sub>1A</sub> and IC<sub>1B</sub>

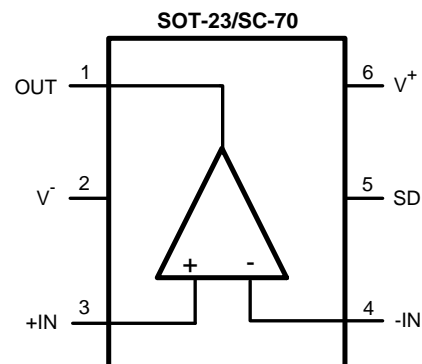


Figure 2. Connection Diagram for IC<sub>2A</sub> and IC<sub>2B</sub>

## 2 Hardware Setup

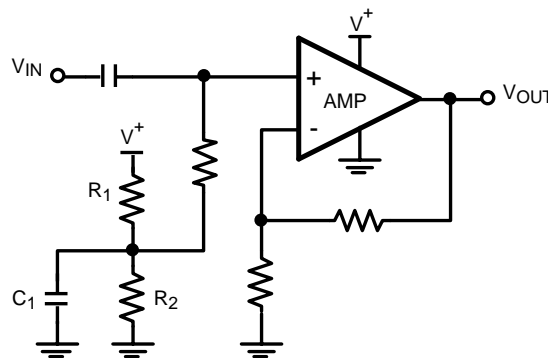
### 2.1 Component Notation

The pins of the footprint for IC<sub>1A</sub> are connected to the equivalent pins for the footprint of IC<sub>2A</sub> and the same is true for IC<sub>1B</sub> and IC<sub>2B</sub>. Therefore, this application report will refer to the amplifier in IC<sub>1A</sub> or IC<sub>2A</sub> as Amp A and the amplifier in IC<sub>1B</sub> or IC<sub>2B</sub> as Amp B. The subscript of the PCB component refers to the specific amplifier; for example, R<sub>4A</sub> is used for Amp A and R<sub>4B</sub> for Amp B. In this document, components will be referred to, as an example, C<sub>3</sub>. If using Amp A this refers to component C<sub>3A</sub>, if using Amp B this refers to component C<sub>3B</sub>.

In some circuits, a resistor will be installed where the PCB is labeled for a capacitor or a capacitor will be installed where a resistor is labeled. For example, C<sub>R6</sub> indicates that a capacitor should be in the R<sub>6</sub> position. R<sub>C5</sub> means that a resistor will be installed in the C<sub>5</sub> position.

### 2.2 Power

Power is applied to the points labeled V<sup>-</sup>, GND, and V<sup>+</sup>. If a single supply is used, then V<sup>-</sup> should be connected to GND. A virtual ground, halfway between the positive supply voltage and ground, is the reference point for the input and output voltages. The output voltage swings above and below this virtual ground. Single-supply operation requires the generation of this virtual ground, usually at a voltage equal to V<sup>+</sup>/2. The circuit in [Figure 3](#) can be used to generate V<sup>+</sup>/2; R<sub>1</sub> and R<sub>2</sub> should be of equal values. This junction along with capacitor C<sub>1</sub> will form a low-pass filter used to eliminate conducted noise or transients on the positive supply rail.



**Figure 3. Single Supply Virtual Ground**

### 2.3 Op Amp

Solder an op amp to either the IC<sub>1A</sub> or IC<sub>2A</sub> position. If building a circuit requiring two op amps, solder an additional op amp to either IC<sub>1B</sub> or IC<sub>2B</sub>. The corresponding pinout is shown on each side of the PCB.

### 2.4 Bypassing

Install the following capacitors:

C<sub>6A</sub>, C<sub>9A</sub>, C<sub>6B</sub>, C<sub>9B</sub>: 0.1 μF

C<sub>7A</sub>, C<sub>8A</sub>, C<sub>7B</sub>, C<sub>8B</sub>: 1 μF

### 2.5 Shutdown

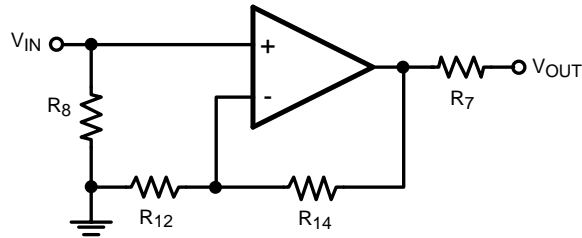
To use the shutdown feature of the amplifier in either the SOT-23 or the SC-70 package, install a resistor at R<sub>15</sub> and an optional capacitor at C<sub>11</sub>. The shutdown voltage is applied at S/D-A or S/D-B depending on the package of the amplifier being used.

## 2.6 Input and Output

SMA connectors are used for the input and output of signals. They are located on the edges of the PCB.

## 3 Circuit Configurations

### 3.1 Non-Inverting Amplifier



C<sub>3</sub>, R<sub>4</sub>, R<sub>5</sub> = 0 (SHORT)

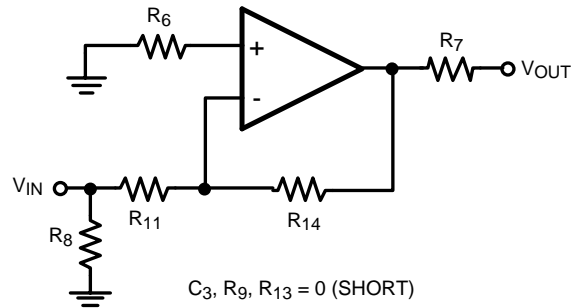
C <sub>3</sub>	Short
R <sub>4</sub>	Short
R <sub>5</sub>	Short
R <sub>8</sub>	Input Termination
R <sub>7</sub>	Output series resistance (used for matching transmission lines or isolation)
R <sub>14</sub>	Gain Resistor
R <sub>12</sub>	Gain Resistor

**Figure 4. Non-Inverting Amplifier**

Where:

$$\frac{V_{OUT}}{V_{IN}} = 1 + \frac{R_{14}}{R_{12}} \quad (1)$$

### 3.2 Inverting Amplifier



$C_3$	Short
$R_9$	Short
$R_{13}$	Short
$R_8$	Input Termination
$R_7$	Output series resistance (used for matching transmission lines or isolation)
$R_{14}$	Gain Resistor
$R_{11}$	Gain Resistor

**Figure 5. Inverting Amplifier**

Where:

$$\frac{V_{OUT}}{V_{IN}} = - \frac{R_{14}}{R_{11}} \quad (2)$$

### 3.3 Register Calculations

Input Impedance: Set  $R_T$  to the desired input impedance. Calculate  $R_8$  where:

$$R_8 = \frac{R_{11} \times R_T}{R_{11} - R_T} \quad (3)$$

To cancel the input bias current set  $R_6$  to the value calculated with the following formula:

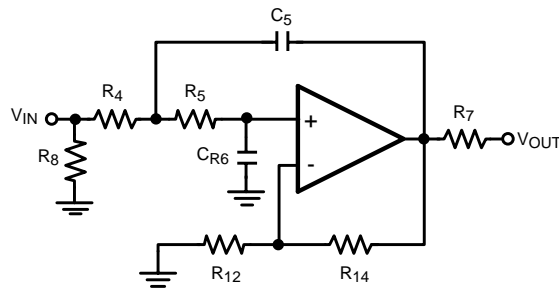
$$R_6 = \frac{R_{11} \times R_{14}}{R_{11} - R_{14}} \quad (4)$$

### 3.4 Active Filter Applications

Both Sallen-Key and Multiple Feedback filters can be built on this PCB. To design a filter, use the WEBENCH™ tool at [www.ti.com](http://www.ti.com). Performance at high frequencies is limited to the gain bandwidth product of the amplifier, but within this frequency range, these active filters can achieve very good accuracy, if low-tolerance resistors and capacitor are used.

### 3.5 Sallen-Key Low-Pass Filter

C <sub>3</sub>	Short
R <sub>13</sub>	Short
R <sub>7</sub>	Output series resistance (used for matching transmission lines or isolation)
R <sub>8</sub>	Input Termination
Set the following as determined using WEBENCH: R <sub>4</sub> , R <sub>5</sub> , C <sub>6</sub> , R <sub>14</sub> , R <sub>12</sub>	



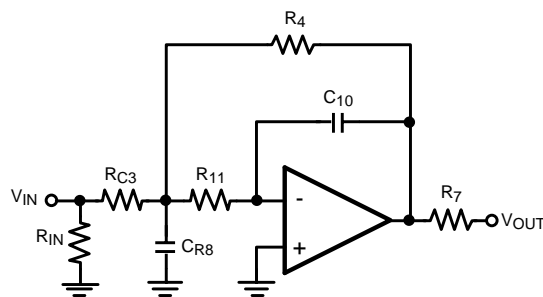
C<sub>3</sub>, R<sub>13</sub> = 0 (SHORT)

Figure 6. Sallen-Key Low-Pass Filter

### 3.6 Multiple Feedback Low-Pass Filter

Note: If needed, an input termination resistor will need to be soldered on to the SMA connector between the signal pin and the ground pin.

R <sub>6</sub>	Short
R <sub>13</sub>	Short
R <sub>9</sub>	Short
C <sub>5</sub>	Short
R <sub>7</sub>	Output series resistance (used for matching transmission lines or isolation)
Set the following as determined using WEBENCH: R <sub>C3</sub> , C <sub>R8</sub> , R <sub>4</sub> , R <sub>11</sub> , C <sub>10</sub>	

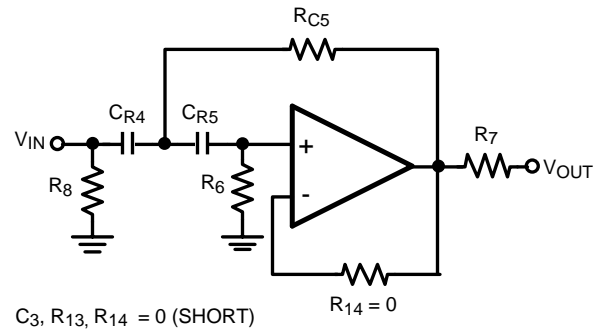


R<sub>6</sub>, R<sub>13</sub>, R<sub>9</sub>, C<sub>5</sub> = 0 (SHORT)

Figure 7. Multiple Feedback Low-Pass Filter

### 3.7 Sallen-Key High-Pass Filter

$C_3$	Short
$R_{13}$	Short
$R_{14}$	Short
$R_7$	Output series resistance (used for matching transmission lines or isolation)
$R_8$	Input Termination
Set as determined using WEBENCH: $C_{R4}$ , $C_{R5}$ , $R_{C5}$ , $R_6$	

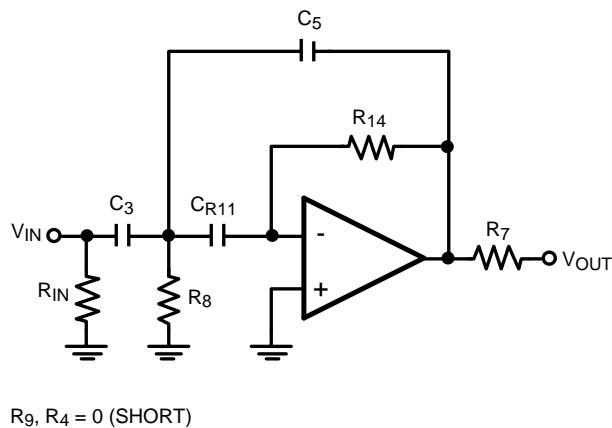


**Figure 8. Sallen-Key High-Pass Filter**

### 3.8 Multiple Feedback High-Pass Filter

Note: If needed, an input termination resistor will need to be soldered on to the SMA connector between the signal pin and the ground pin.

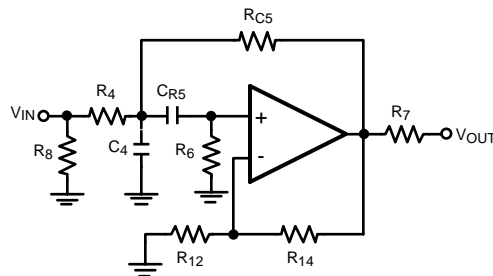
$R_9$	Short
$R_4$	Short
$R_7$	Output series resistance (used for matching transmission lines or isolation)
Set the following as determined using WEBENCH: $C_3$ , $R_8$ , $C_5$ , $C_{R11}$ , $R_{14}$	



**Figure 9. Multiple Feedback High-Pass Filter**

### 3.9 Sallen-Key Band-Pass Filter

C <sub>3</sub>	Short
R <sub>13</sub>	Short
R <sub>7</sub>	Output series resistance (used for matching transmission lines or isolation)
R <sub>8</sub>	Input Termination
Set as determined using WEBENCH: R <sub>4</sub> , C <sub>4</sub> , C <sub>R5</sub> , R <sub>6</sub> , R <sub>C5</sub> , R <sub>14</sub> , R <sub>12</sub>	



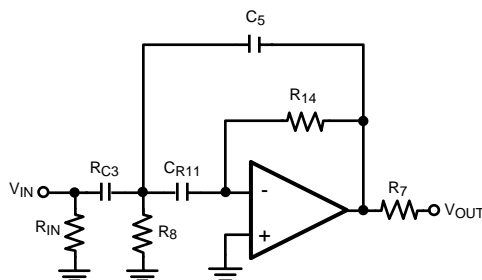
C<sub>3</sub>, R<sub>13</sub> = 0 (SHORT)

**Figure 10. Sallen-Key Band-Pass Filter**

### 3.10 Multiple Feedback Band-Pass Filter

Note: If needed, an input termination resistor will need to be soldered on to the SMA connector between the signal pin and the ground pin.

R <sub>6</sub>	Short
R <sub>13</sub>	Short
R <sub>9</sub>	Short
R <sub>4</sub>	Short
R <sub>7</sub>	Output series resistance (used for matching transmission lines or isolation)
Set the following as determined using WEBENCH: R <sub>C3</sub> , R <sub>8</sub> , C <sub>5</sub> , C <sub>R11</sub> , R <sub>14</sub>	



R<sub>6</sub>, R<sub>13</sub>, R<sub>9</sub>, R<sub>4</sub> = 0 (SHORT)

**Figure 11. Multiple Feedback Band-Pass Filter**

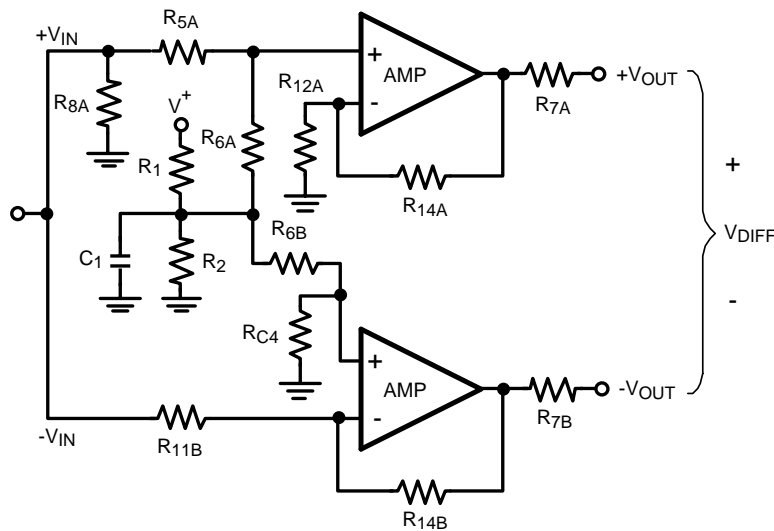
## 4 Applications Using Two Amplifiers

### 4.1 Two-Amplifier Filters

Filters using two amplifiers can be built by connecting the output of Amp A to the input of Amp B.

### 4.2 Single-Ended to Differential Conversion

The circuit in [Figure 12](#) will convert a single-ended signal to a differential signal. This is done by using the combination of an inverting amplifier and a non-inverting amplifier. Each amplifier generates output signals of equal magnitude but of opposite polarity. This topology is useful in applications where the signal source is single-ended, but the ADC requires a differential input. The board will need to be modified by connecting Input A to Input B with a jumper wire.



$C_{3A}, R_{4A}, R_{5B}, R_{9B}, C_{3B} = 0$  (SHORT)

**Figure 12. Single-Ended to Differential Conversion**



### 4.3 Differential Input, Differential Output, Non-Inverting

Combining two non-inverting amplifiers with a common feedback network, as shown in Figure 13, forms a non-inverting amplifier with a differential input and a differential output. Through the inherent cancellation of the two op amp common-mode error signals this configuration fully exploits the noise reduction benefits of CMRR. In addition the output voltage swing is doubled and depending on the op amp used, the bandwidth and slew rate may also be increased, while maintaining the original gain bandwidth specification.

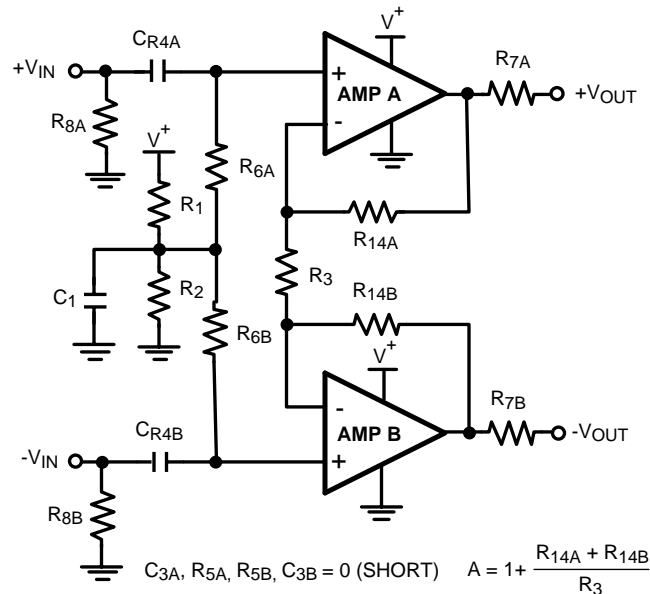


Figure 13. Differential Input, Differential Output, Non-Inverting

5 551012875-001 Schematic

**SOT-23 AMPLIFIER EVALUATION BOARD**

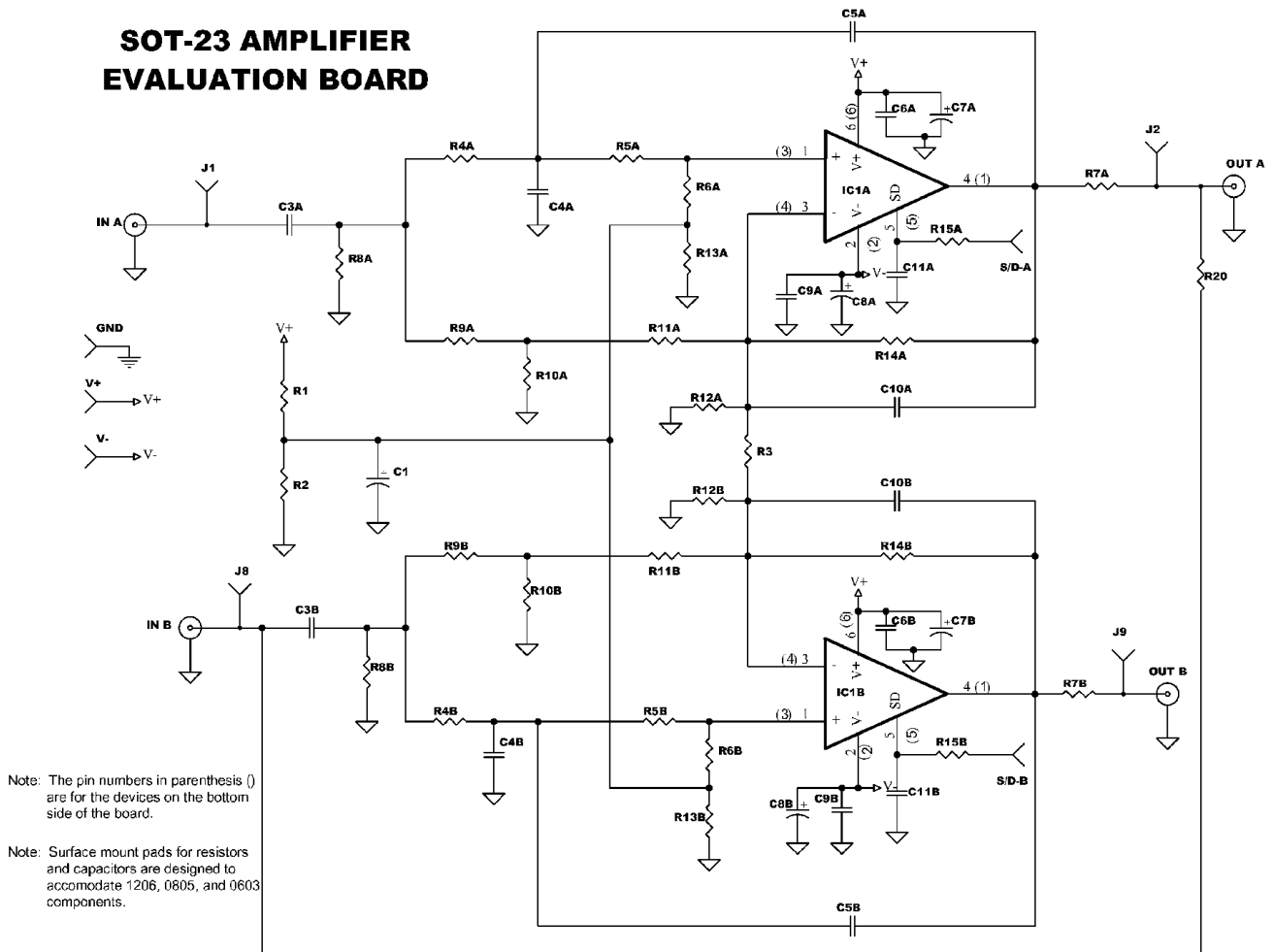


Figure 14. 551012875-001 Schematic

6 551012875-001 Layouts

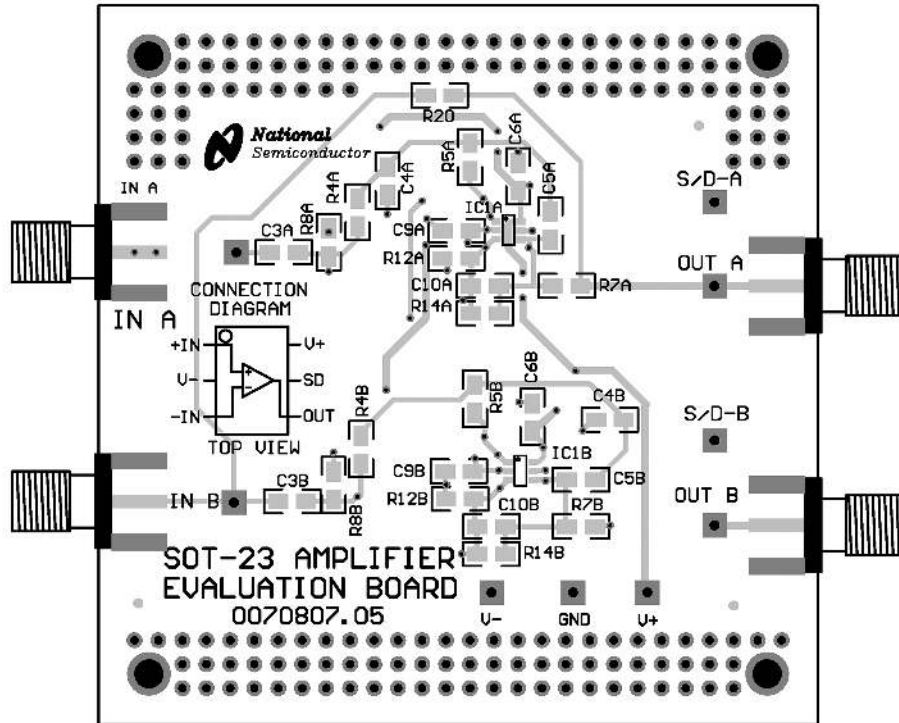


Figure 15. 551012875-001 Top Layout

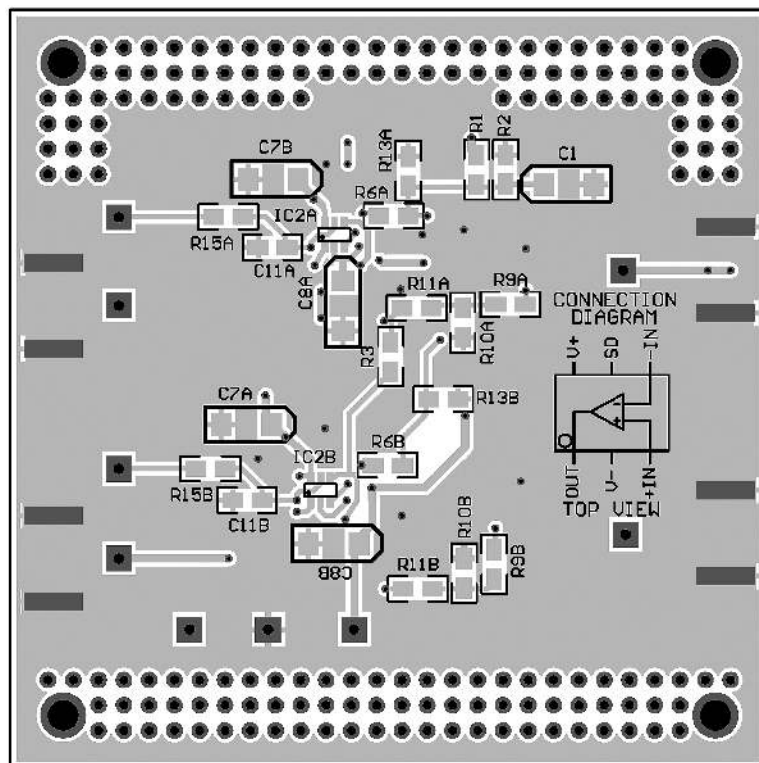


Figure 16. 551012875-001 Bottom Layout

7 551012922-001 Schematic

**SC70-5 AMPLIFIER  
EVALUATION BOARD**  
870012922-100 REV A

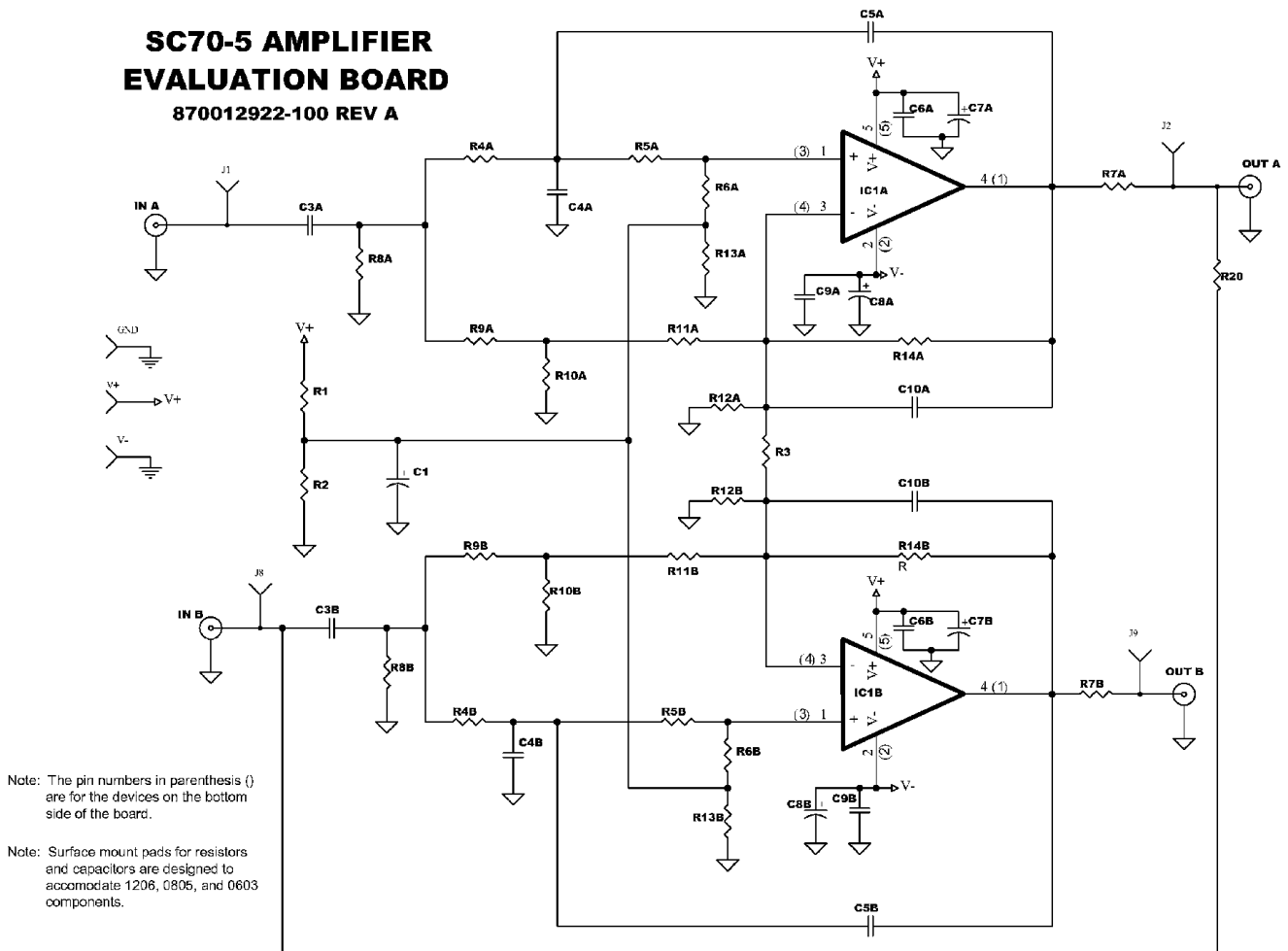


Figure 17. 551012922-001 Schematic

8 551012922-001 Layouts

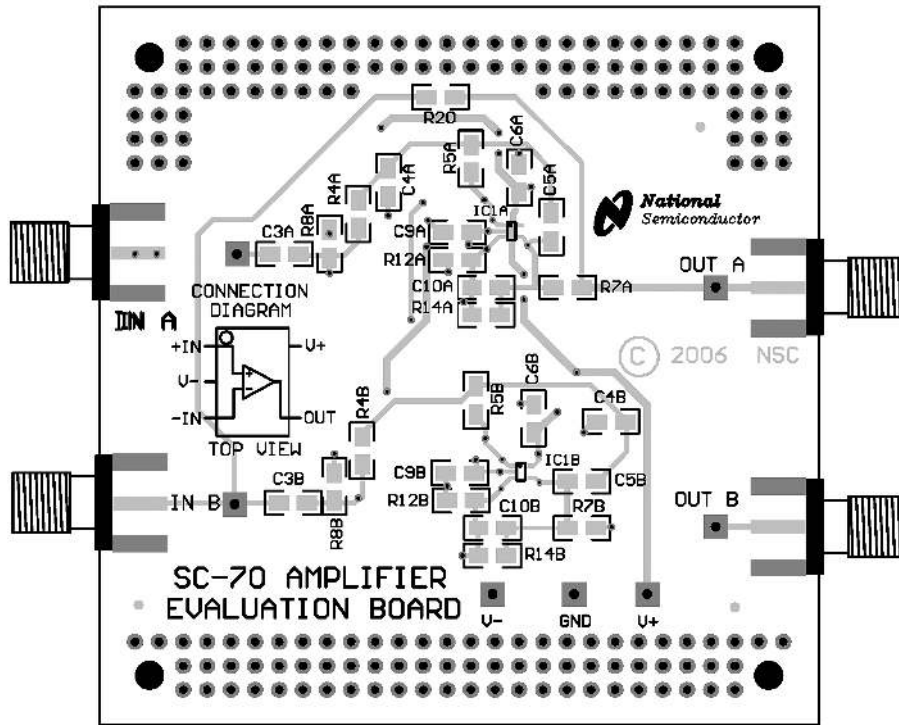


Figure 18. 551012922-001 Top Layout

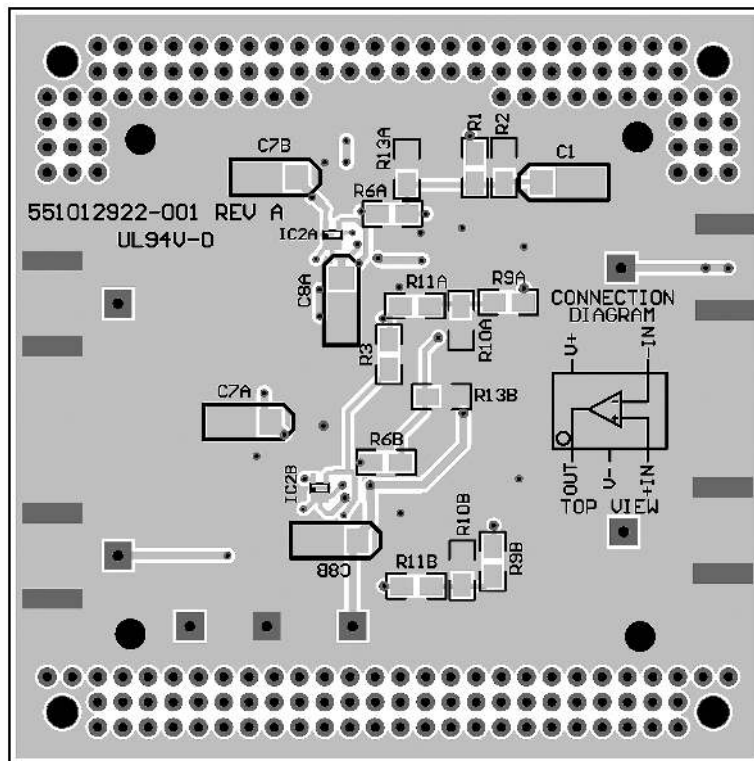


Figure 19. 551012922-001 Bottom Layout

## IMPORTANT NOTICE

Texas Instruments Incorporated and its subsidiaries (TI) reserve the right to make corrections, enhancements, improvements and other changes to its semiconductor products and services per JESD46, latest issue, and to discontinue any product or service per JESD48, latest issue. Buyers should obtain the latest relevant information before placing orders and should verify that such information is current and complete. All semiconductor products (also referred to herein as "components") are sold subject to TI's terms and conditions of sale supplied at the time of order acknowledgment.

TI warrants performance of its components to the specifications applicable at the time of sale, in accordance with the warranty in TI's terms and conditions of sale of semiconductor products. Testing and other quality control techniques are used to the extent TI deems necessary to support this warranty. Except where mandated by applicable law, testing of all parameters of each component is not necessarily performed.

TI assumes no liability for applications assistance or the design of Buyers' products. Buyers are responsible for their products and applications using TI components. To minimize the risks associated with Buyers' products and applications, Buyers should provide adequate design and operating safeguards.

TI does not warrant or represent that any license, either express or implied, is granted under any patent right, copyright, mask work right, or other intellectual property right relating to any combination, machine, or process in which TI components or services are used. Information published by TI regarding third-party products or services does not constitute a license to use such products or services or a warranty or endorsement thereof. Use of such information may require a license from a third party under the patents or other intellectual property of the third party, or a license from TI under the patents or other intellectual property of TI.

Reproduction of significant portions of TI information in TI data books or data sheets is permissible only if reproduction is without alteration and is accompanied by all associated warranties, conditions, limitations, and notices. TI is not responsible or liable for such altered documentation. Information of third parties may be subject to additional restrictions.

Resale of TI components or services with statements different from or beyond the parameters stated by TI for that component or service voids all express and any implied warranties for the associated TI component or service and is an unfair and deceptive business practice. TI is not responsible or liable for any such statements.

Buyer acknowledges and agrees that it is solely responsible for compliance with all legal, regulatory and safety-related requirements concerning its products, and any use of TI components in its applications, notwithstanding any applications-related information or support that may be provided by TI. Buyer represents and agrees that it has all the necessary expertise to create and implement safeguards which anticipate dangerous consequences of failures, monitor failures and their consequences, lessen the likelihood of failures that might cause harm and take appropriate remedial actions. Buyer will fully indemnify TI and its representatives against any damages arising out of the use of any TI components in safety-critical applications.

In some cases, TI components may be promoted specifically to facilitate safety-related applications. With such components, TI's goal is to help enable customers to design and create their own end-product solutions that meet applicable functional safety standards and requirements. Nonetheless, such components are subject to these terms.

No TI components are authorized for use in FDA Class III (or similar life-critical medical equipment) unless authorized officers of the parties have executed a special agreement specifically governing such use.

Only those TI components which TI has specifically designated as military grade or "enhanced plastic" are designed and intended for use in military/aerospace applications or environments. Buyer acknowledges and agrees that any military or aerospace use of TI components which have **not** been so designated is solely at the Buyer's risk, and that Buyer is solely responsible for compliance with all legal and regulatory requirements in connection with such use.

TI has specifically designated certain components as meeting ISO/TS16949 requirements, mainly for automotive use. In any case of use of non-designated products, TI will not be responsible for any failure to meet ISO/TS16949.

### Products

Audio	<a href="http://www.ti.com/audio">www.ti.com/audio</a>
Amplifiers	<a href="http://amplifier.ti.com">amplifier.ti.com</a>
Data Converters	<a href="http://dataconverter.ti.com">dataconverter.ti.com</a>
DLP® Products	<a href="http://www.dlp.com">www.dlp.com</a>
DSP	<a href="http://dsp.ti.com">dsp.ti.com</a>
Clocks and Timers	<a href="http://www.ti.com/clocks">www.ti.com/clocks</a>
Interface	<a href="http://interface.ti.com">interface.ti.com</a>
Logic	<a href="http://logic.ti.com">logic.ti.com</a>
Power Mgmt	<a href="http://power.ti.com">power.ti.com</a>
Microcontrollers	<a href="http://microcontroller.ti.com">microcontroller.ti.com</a>
RFID	<a href="http://www.ti-rfid.com">www.ti-rfid.com</a>
OMAP Applications Processors	<a href="http://www.ti.com/omap">www.ti.com/omap</a>
Wireless Connectivity	<a href="http://www.ti.com/wirelessconnectivity">www.ti.com/wirelessconnectivity</a>

### Applications

Automotive and Transportation	<a href="http://www.ti.com/automotive">www.ti.com/automotive</a>
Communications and Telecom	<a href="http://www.ti.com/communications">www.ti.com/communications</a>
Computers and Peripherals	<a href="http://www.ti.com/computers">www.ti.com/computers</a>
Consumer Electronics	<a href="http://www.ti.com/consumer-apps">www.ti.com/consumer-apps</a>
Energy and Lighting	<a href="http://www.ti.com/energy">www.ti.com/energy</a>
Industrial	<a href="http://www.ti.com/industrial">www.ti.com/industrial</a>
Medical	<a href="http://www.ti.com/medical">www.ti.com/medical</a>
Security	<a href="http://www.ti.com/security">www.ti.com/security</a>
Space, Avionics and Defense	<a href="http://www.ti.com/space-avionics-defense">www.ti.com/space-avionics-defense</a>
Video and Imaging	<a href="http://www.ti.com/video">www.ti.com/video</a>

### TI E2E Community

[e2e.ti.com](http://e2e.ti.com)