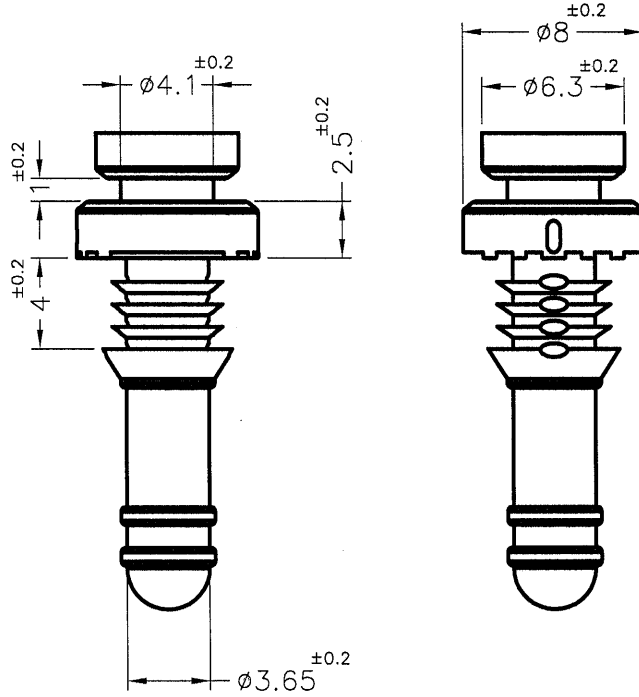

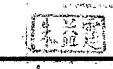



REVISIONS			
REV	DESCRIPTION	DATE	BY



PART NO.	MATERIAL	HARDNESS
BUB-171G(B)	TPE	45°±10°
BUB-171H(B)	TPE	55°±10°
BUB-171V0(B)	TPE UL94V-0	79°±10°

NOTE:MADE OF EQUIVALENT MATERIAL.  
均可使用同等材質.

 <p>康揚企業股份有限公司 KANG YANG HARDWARE ENTERPRISE CO., LTD. 康揚塑膠(東莞)有限公司 KANG YANG PLASTIC(DONG GUAN) CO., LTD. ISO 9001 ISO 14001 QC 080000 康哲電腦配件(吳江)有限公司 KANG CHE COMPUTER COMPONENTS(WUJIANG) CO., LTD.</p>	TITLE		SPEC. DWG.	
	FAN SNAP RIVET		MATERIAL	DATE
	SEE ABOVE		HARDNESS	2014.06.24
	SEE ABOVE		COLOR	DRAWN
	BLACK		UNLESS OTHERWISE SPECIFIED TOLERANCE	CHECK
PART NUMBER	DRAWING NUMBER	APPROVED		 
SEE ABOVE	BUB-171	ROBERT		
SIZE	SCALE	UNIT	REV	
A4	3:1	mm	C	SEE ABOVE