



Connectors > Connector Accessories > Connector Seals & Cavity Plugs



Connector Seal & Plug Type: **Rubber Plug**  
 Primary Product Material: **NBR**  
 Primary Product Color: **Black**  
 Compatible Insulation Diameter Range: **1.4 – 2.1 mm [ .055 – .083 in ]**  
 Resistance to Hydrocarbons: **Variable**

**Features**

**Product Type Features**

Connector Seal & Plug Type	Rubber Plug
----------------------------	-------------

**Body Features**

Primary Product Material	NBR
Primary Product Color	Black

**Dimensions**

Compatible Insulation Diameter Range	1.4 – 2.1 mm [.055 – .083 in]
--------------------------------------	-------------------------------

**Usage Conditions**

Operating Temperature (Max)	65 °C, 70 °C, 75 °C, 80 °C, 85 °C, 90 °C, 100 °C, 105 °C [149 °F][158 °F][167 °F][176 °F][185 °F][194 °F][212 °F][221 °F]
Operating Temperature Range	-30 – 105 °C [-22 – 221 °F]

**Packaging Features**

Packaging Quantity	1000
Packaging Method	Bag

**Other**

--	--



Resistance to Hydrocarbons	Variable
Shore A Hardness	40
Contains Lubricant	Yes

### Product Compliance

[For compliance documentation, visit the product page on TE.com>](#)

EU RoHS Directive 2011/65/EU	Compliant
EU ELV Directive 2000/53/EC	Compliant
China RoHS 2 Directive MIIT Order No 32, 2016	No Restricted Materials Above Threshold
EU REACH Regulation (EC) No. 1907/2006	Current ECHA Candidate List: JUNE 2023 (235) Candidate List Declared Against: JUNE 2023 (235) Does not contain REACH SVHC
Halogen Content	Low Halogen - Br, Cl, F, I < 900 ppm per homogenous material. Also BFR/CFR/PVC Free
Solder Process Capability	Not applicable for solder process capability

#### Product Compliance Disclaimer

This information is provided based on reasonable inquiry of our suppliers and represents our current actual knowledge based on the information they provided. This information is subject to change. The part numbers that TE has identified as EU RoHS compliant have a maximum concentration of 0.1% by weight in homogenous materials for lead, hexavalent chromium, mercury, PBB, PBDE, DBP, BBP, DEHP, DIBP, and 0.01% for cadmium, or qualify for an exemption to these limits as defined in the Annexes of Directive 2011/65/EU (RoHS2). Finished electrical and electronic equipment products will be CE marked as required by Directive 2011/65/EU. Components may not be CE marked. Additionally, the part numbers that TE has identified as EU ELV compliant have a maximum concentration of 0.1% by weight in homogenous materials for lead, hexavalent chromium, and mercury, and 0.01% for cadmium, or qualify for an exemption to these limits as defined in the Annexes of Directive 2000/53/EC (ELV). Regarding the REACH Regulation, the information TE provides on SVHC in articles for this part number is based on the latest European Chemicals Agency (ECHA) 'Guidance on requirements for substances in articles' posted at this URL: <https://echa.europa.eu/guidance-documents/guidance-on-reach>

### Compatible Parts



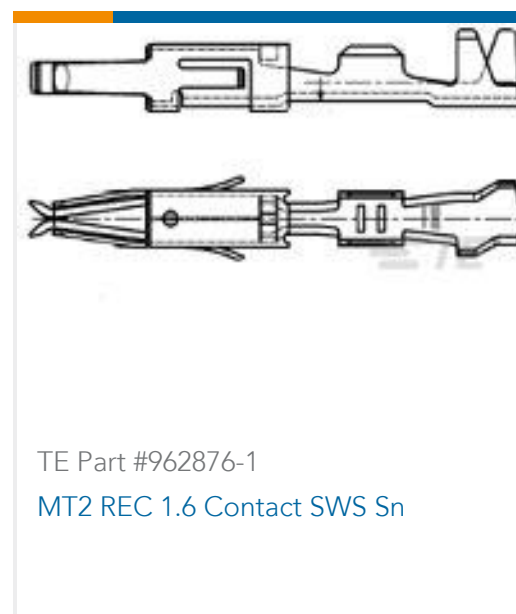
### Customers Also Bought



TE Part #2-1418479-1  
8POS,AMP MCP1.5K,REC. HSG,CODB



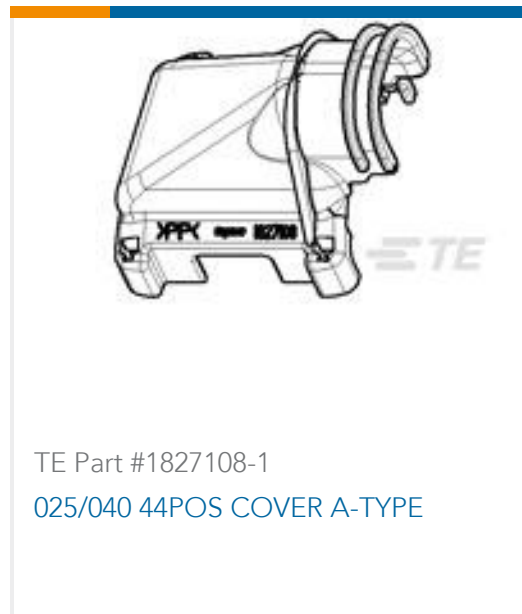
TE Part #282729-1  
Timer Connector Housing



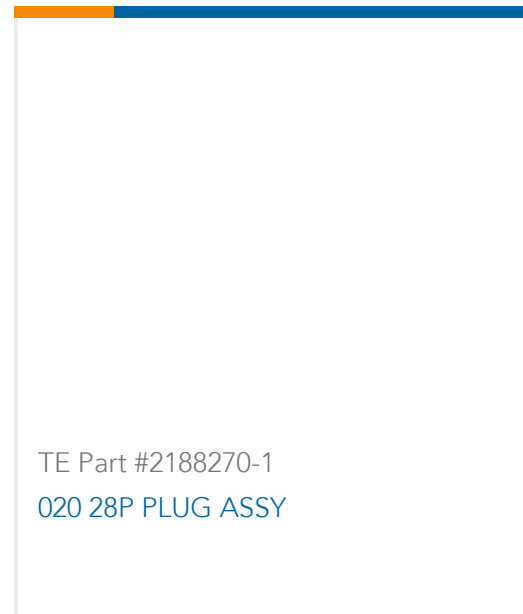
TE Part #962876-1  
MT2 REC 1.6 Contact SWS Sn



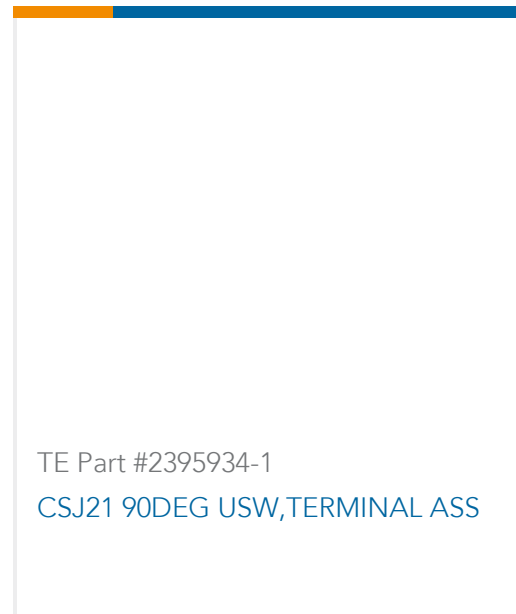
TE Part #216842-4  
250 FASTON,TAB,PCB,SPPB



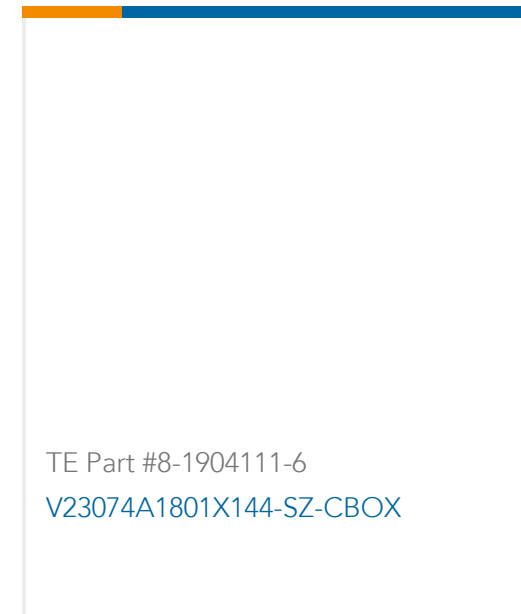
TE Part #1827108-1  
025/040 44POS COVER A-TYPE



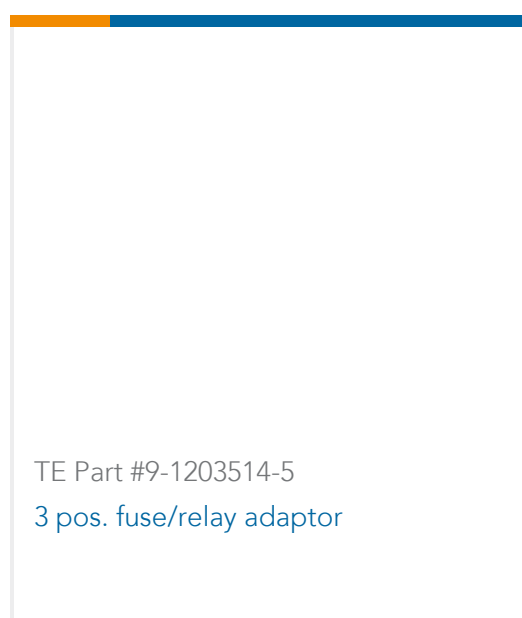
TE Part #2188270-1  
020 28P PLUG ASSY



TE Part #2395934-1  
CSJ21 90DEG USW,TERMINAL ASS



TE Part #8-1904111-6  
V23074A1801X144-SZ-CBOX



TE Part #9-1203514-5  
3 pos. fuse/relay adaptor

## Documents

### Product Drawings

#### 070 TYPE NEW RUBBER PLUG S

Japanese

### CAD Files

#### 3D PDF

3D

#### Customer View Model

[ENG\\_CVM\\_CVM\\_2822356-1\\_A.2d\\_dxf.zip](#)

English

#### Customer View Model

[ENG\\_CVM\\_CVM\\_2822356-1\\_A.3d\\_igs.zip](#)

English

#### Customer View Model

[ENG\\_CVM\\_CVM\\_2822356-1\\_A.3d\\_stp.zip](#)

English

By downloading the CAD file I accept and agree to the [Terms and Conditions](#) of use.

### Product Specifications



**Product Specification**

Japanese

**Product Specification**

English

**Product Specification**

Japanese

---

**Product Environmental Compliance**

**Product Compliance**

English

**Product Compliance**

English