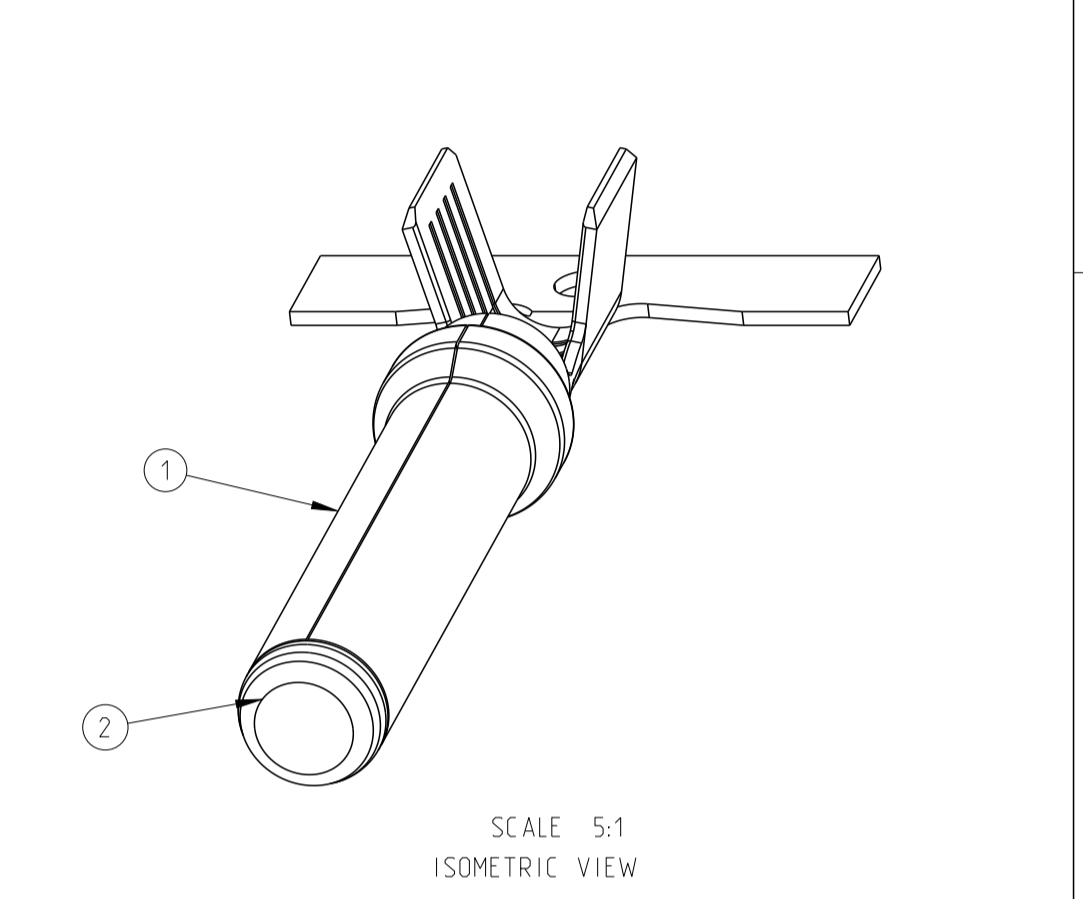
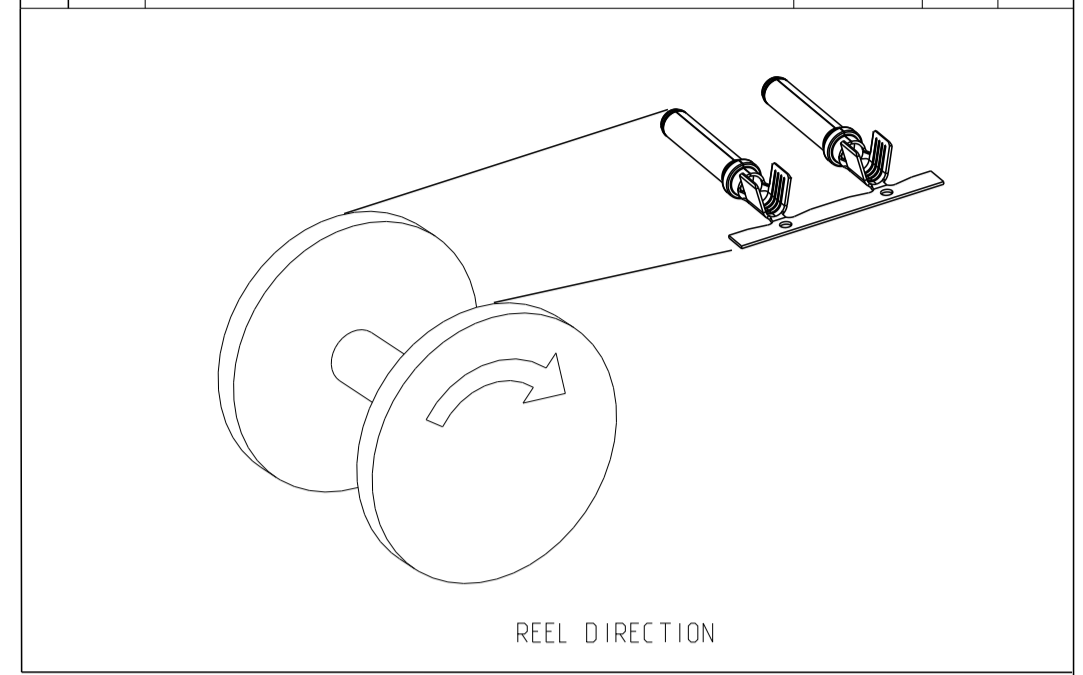
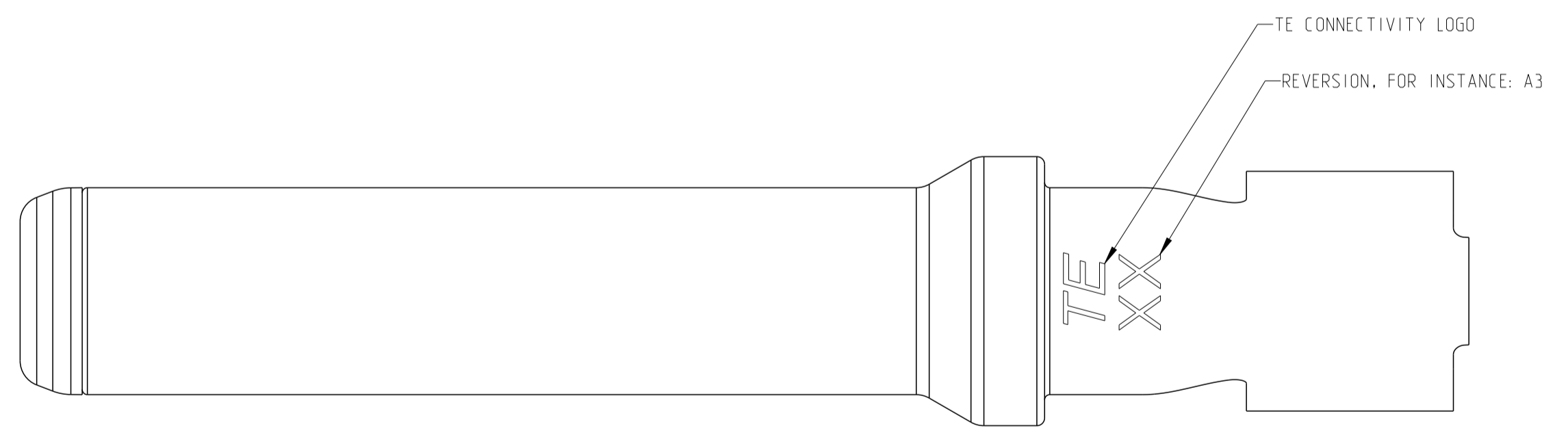
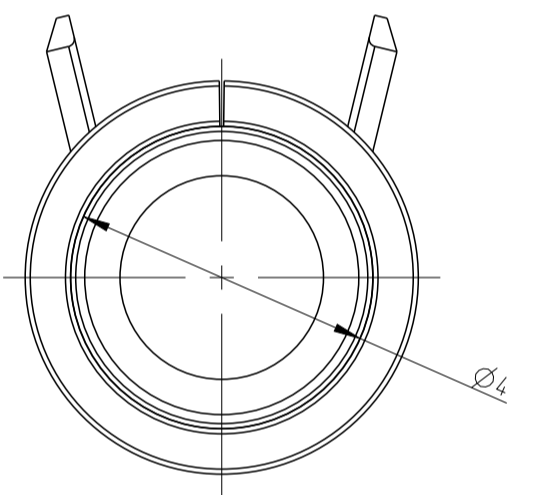
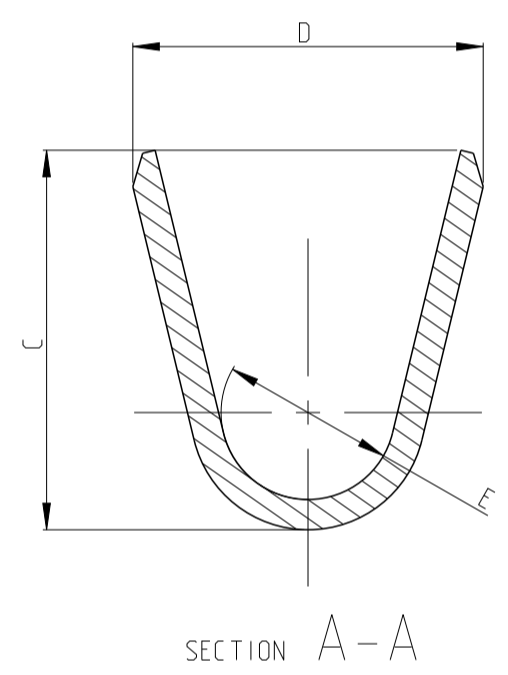
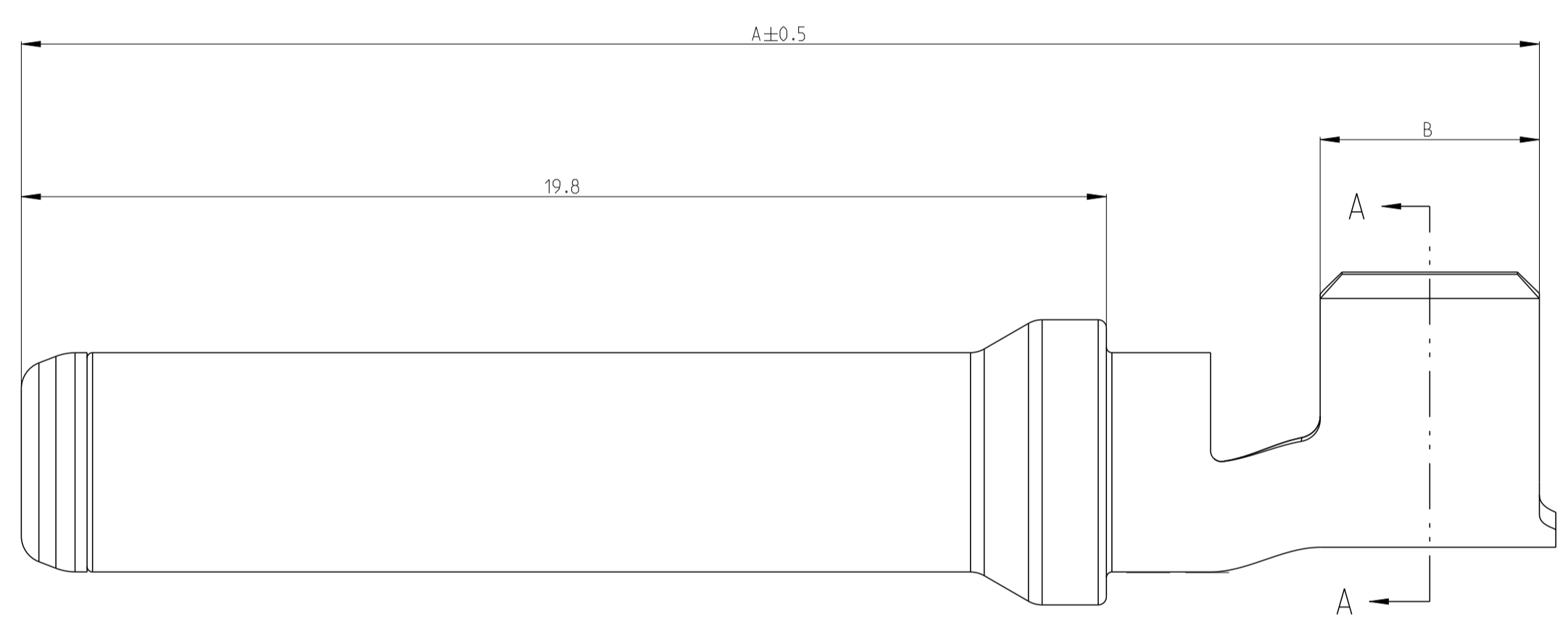
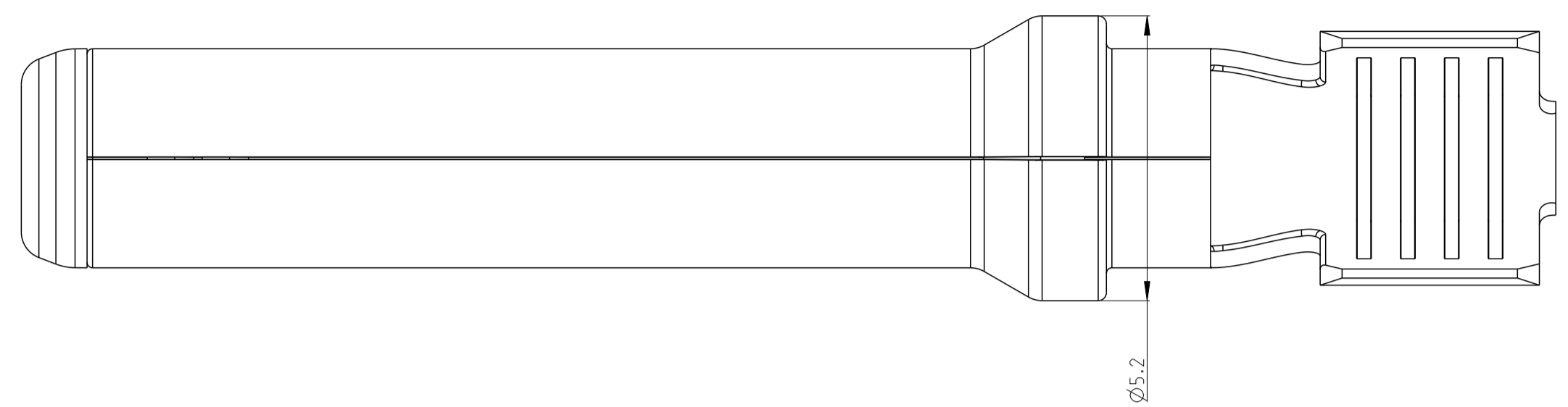


| REVISIONS |     |                           |           |     |      |
|-----------|-----|---------------------------|-----------|-----|------|
| REV       | LTN | DESCRIPTION               | DATE      | DMN | APVD |
| C         |     | INITIAL RELEASE           | 30AUG2021 | J.Y | I.Y  |
| C1        |     | REVISE,ADD PN 2-2349180-2 | 06MAR2023 | J.Z | W.Z  |
| C2        |     | ADD PN *-2349180-3        | 15MAY2023 | J.Z | W.Z  |



- 1. PACKAGING: REEL
- 2. SUITABLE FOR SOCKET CONTACT: SEE DRAWING 2349177



| PART NO.    | REV. | WIRE RANGE             | ITEM | DESCRIPTION | MATERIAL  | FINISH | DIM. A | DIM. B | DIM. C | DIM. D | DIM. E | DIM. F |
|-------------|------|------------------------|------|-------------|-----------|--------|--------|--------|--------|--------|--------|--------|
| 2-2349180-2 | A    | 4.0-5.0mm <sup>2</sup> | 2    | CAP         | PA66 GF30 | -      | 29.85  | 4.5    | 5.83   | 5.33   | 2.9    | 21.45  |
|             |      |                        | 1    | BODY        | Cu-ALLOY  | Ag     |        |        |        |        |        |        |
| 1-2349180-3 | A    | 6.0mm <sup>2</sup>     | 2    | CAP         | PA66 GF30 | -      | 28.2   | 4.5    | 6.32   | 5.55   | 2.9    | 19.8   |
|             |      |                        | 1    | BODY        | Cu-ALLOY  | SnAg   |        |        |        |        |        |        |
| 1-2349180-2 | C    | 4.0-5.0mm <sup>2</sup> | 2    | CAP         | PA66 GF30 | -      | 28.2   | 4.5    | 5.83   | 5.33   | 2.9    | 19.8   |
|             |      |                        | 1    | BODY        | Cu-ALLOY  | SnAg   |        |        |        |        |        |        |
| 1-2349180-1 | C    | 2.5-3.0mm <sup>2</sup> | 2    | CAP         | PA66 GF30 | -      | 27.7   | 4      | 5.02   | 4.63   | 2.3    | 19.8   |
|             |      |                        | 1    | BODY        | Cu-ALLOY  | SnAg   |        |        |        |        |        |        |
| 2349180-3   | A    | 6.0mm <sup>2</sup>     | 2    | CAP         | PA66 GF30 | -      | 28.2   | 4.5    | 6.32   | 5.55   | 2.9    | 19.8   |
|             |      |                        | 1    | BODY        | Cu-ALLOY  | Ag     |        |        |        |        |        |        |
| 2349180-2   | C    | 4.0-5.0mm <sup>2</sup> | 2    | CAP         | PA66 GF30 | -      | 28.2   | 4.5    | 5.83   | 5.33   | 2.9    | 19.8   |
|             |      |                        | 1    | BODY        | Cu-ALLOY  | Ag     |        |        |        |        |        |        |
| 2349180-1   | C    | 2.5-3.0mm <sup>2</sup> | 2    | CAP         | PA66 GF30 | -      | 27.7   | 4      | 5.02   | 4.63   | 2.3    | 19.8   |
|             |      |                        | 1    | BODY        | Cu-ALLOY  | Ag     |        |        |        |        |        |        |

THIS DRAWING IS A CONTROLLED DOCUMENT.

DMN: J.YIN 30AUG2021  
CHK: W.ZHANG 30AUG2021  
APVD: J.YIN 30AUG2021

**TE** TE Connectivity

NAME: DIA. 4MM PIN CONTACT

PRODUCT SPEC: 108-32306  
APPLICATION SPEC: 114-16003B

SIZE: A | CAGE CODE: 00779 | DRAWING NO: 2349180 | RESTRICTED TO: -

SCALE: 10:1 | SHEET: 1 OF 1 | REV: C2

CUSTOMER DRAWING