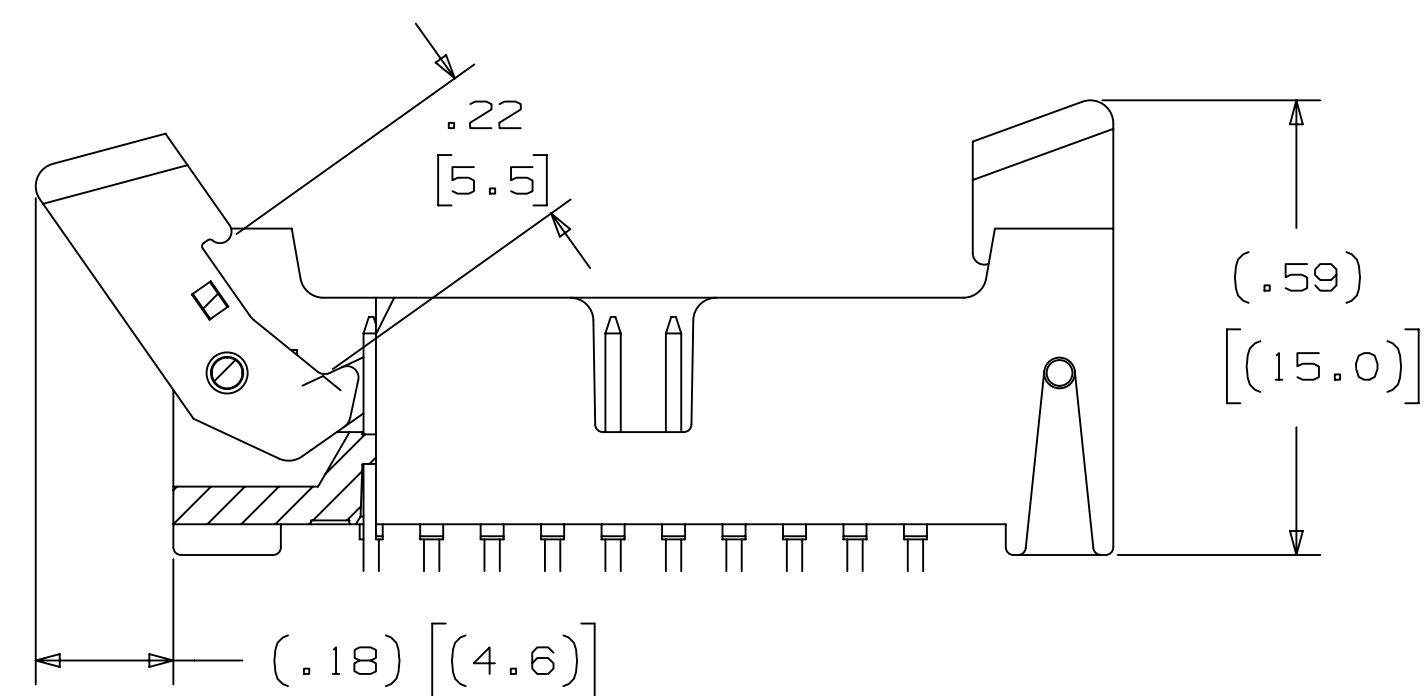
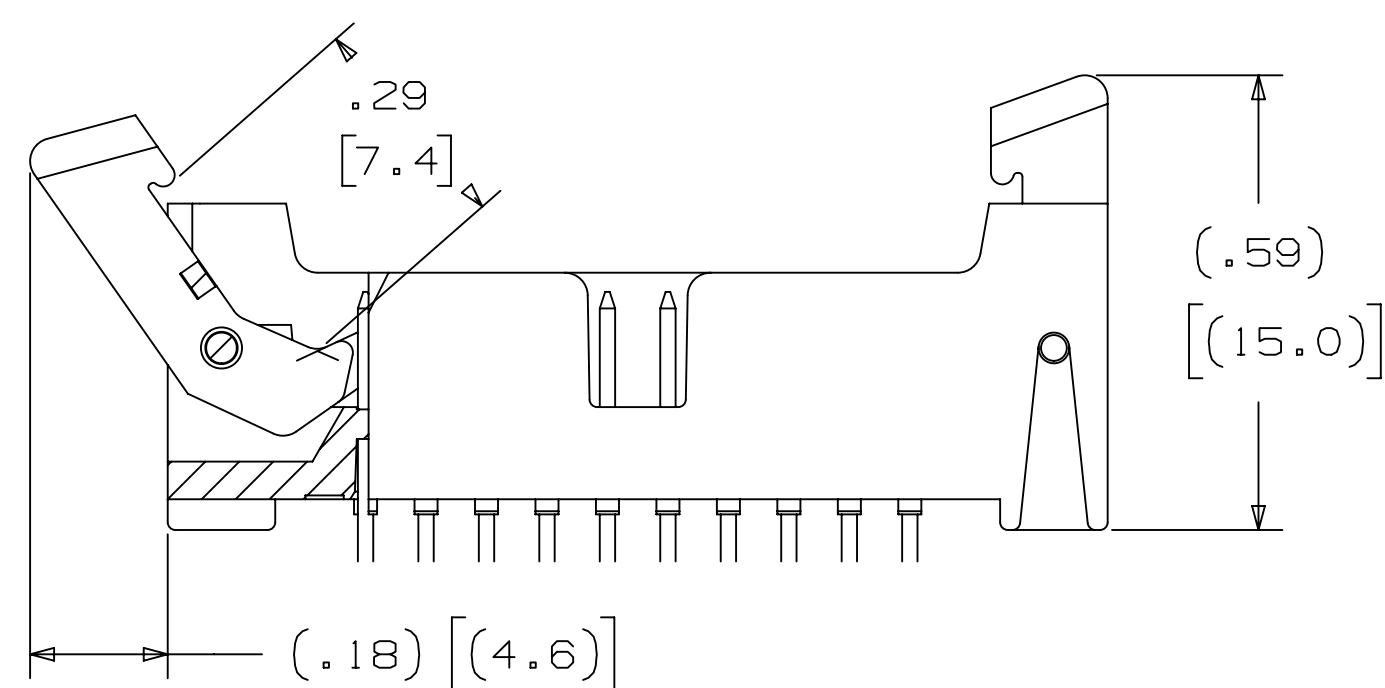


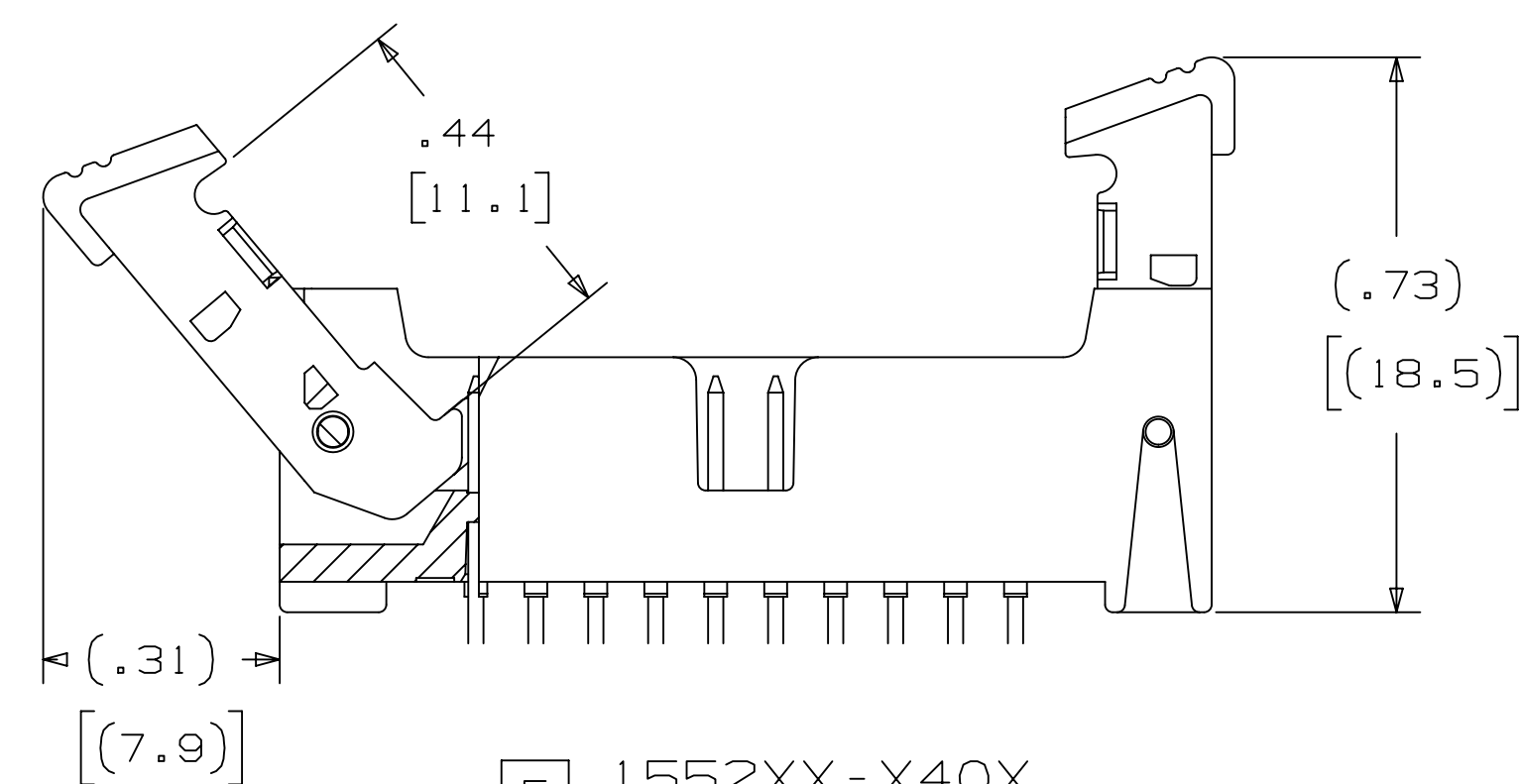
3M™ LATCH/EJECT HEADER, 1552 SERIES
2MM X 2MM STRAIGHT & RIGHT ANGLE, THROUGH-HOLE, STRAIGHT & SURFACE MOUNT



5 1552XX-X20X
LATCH MATING FOR
MOLDED-ON SOCKET
WITH LATCHING EAR



5 1552XX-X30X
LATCH MATING FOR
PRESS-ON SOCKET



5 1552XX-X40X
LATCH MATING FOR
2MM SCI CARRIER

- NOTES
1. MATERIAL:
PLASTIC:
GLASS FILLED POLYESTER (LCP)
UL94V-0, BLACK
CONTACT: COPPER ALLOY.
 2. PLATING:
50-150μ" NICKEL UNDERPLATING
WIPE AREA: SEE ORDERING INFO.
SOLDER TAIL: 200μ" MIN. MATTE TIN.
 3. IN THE EVENT OF CONFLICT
BETWEEN THIS DATA AND THAT
CONTAINED IN THE PRODUCT
SPECIFICATION, THE PRODUCT
SPECIFICATION TAKES PRECEDENT.
 4. REGULATORY INFORMATION:
VISIT 3M.com/regs
 5. SEE TABLE 1 FOR LATCH
AVAILABILITY.
 6. MATING COMPATIBILITY SERIES:
1522, 870, 2M AND 2MM SCI
CARRIER (93XX).

3 ELECTRICAL PERFORMANCE :

CURRENT RATING: 4.75A, 1 LINE POWERED
2.75A, 6 ADJACENT LINES POWERED
1.25A, ALL LINES POWERED

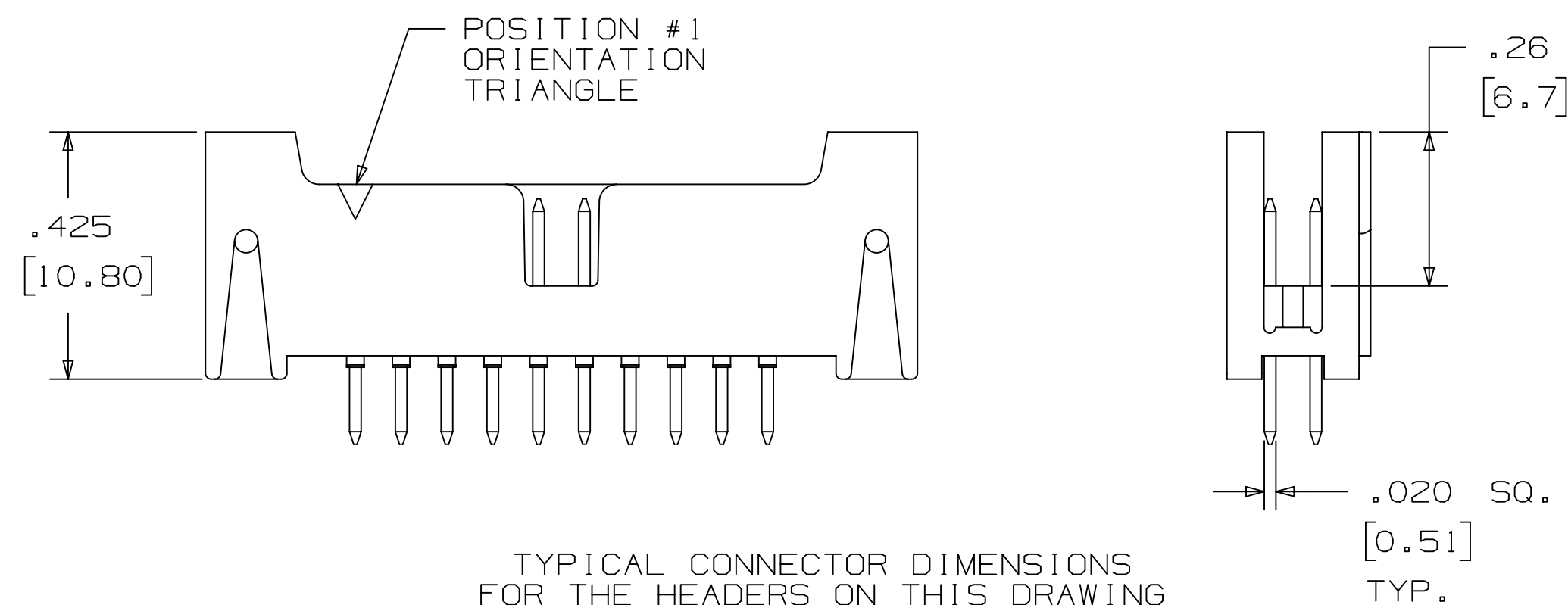
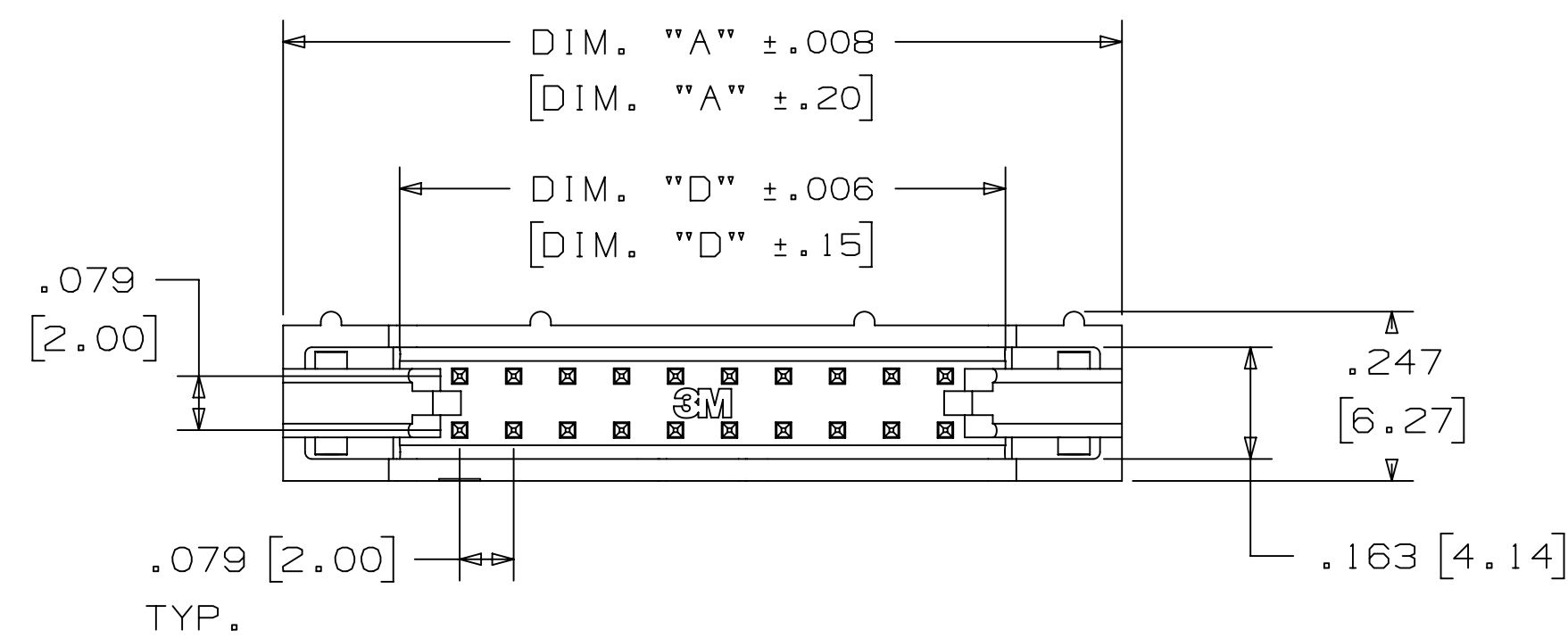
RATING CONDITIONS: EIA-364-070 METHOD 2, 30°C MAXIMUM TEMPERATURE
RISE, 20% DERATED. REFERENCE APPROPRIATE 3M PRODUCT
SPECIFICATION FOR DETAILED CURRENT DERATING CURVES.

INSULATION RESISTANCE: > 1X10⁹ OHMS AT 500 V_{DC}
WITHSTANDING VOLTAGE: 500 V_{RMS} AT SEA LEVEL

3 ENVIRONMENTAL :

TEMPERATURE RATING: -55°C TO +105°C
PROCESS RATING: MAXIMUM 260°C (PER J-STD-020)
MOISTURE SENSITIVITY LEVEL: 1 (PER J-STD-020)

- * 14 PIN COUNTS RANGING FROM 06 TO 50 POSITIONS.
- * LATCH/EJECT MECHANISM SECURELY LATCHES TO SOCKET.
- * ROLL PINS RETAIN LATCHES TO BODY IN SHIPPING AND HIGH VIBRATION ENVIRONMENTS.
- * EJECTOR HELPS MAKE UNMATING OF CABLE ASSEMBLIES EASIER.
- * HIGH TEMPERATURE INSULATORS SUITABLE FOR LEAD FREE PROCESSING.
- * ROBUST SYSTEM SOLUTION WHEN USED WITH 3M IDC WIREMOUNT SOCKETS OR 3M MOLDED CABLE ASSEMBLIES.
- * SMT LATCH/EJECT HEADERS ARE AVAILABLE IN TAPE AND REEL WITH VACUUM CAP FOR AUTOMATIC PLACEMENT.



TYPICAL CONNECTOR DIMENSIONS
FOR THE HEADERS ON THIS DRAWING
(EXCEPT AS NOTED)

DIMENSIONS: INCHES [MM]
[MM] IS REF. ONLY

REV	ECO	ISSUE DATE AND DESCRIPTION	DRFT	CHKD
P	103741	MAR 29, 2022 REVISE 24P IN TABLE 1	JNC	SAN
N	99400	SEP 20, 2021 REVISE ELECTRICAL PERFORMANCE	JNC	FJR
M	97385	JUN 02, 2021 REMOVED G1552XX, REVISED NOTES	JNC	FJR
L	58601	AUG 11, 2016 8-11-16 ADD SHT 4 REVISE TRADEMAKE NOTE JUN 01, 2016 PRODUCTION RELEASE, APR 29, 2016	JNC	RS

DESIGN REFERENCE	NEXT ASSEMBLY	REV	ECO	ISSUE DATE AND DESCRIPTION	DRFT	CHKD
DIVISION		DIVISION CODE		EMSD		
DO NOT SCALE DRAWING	SCALE 4/1	TOLERANCES EXCEPT AS NOTED		INCHES .00 ±.01 .000 ±.008 .0000 ±.0002 MILLIMETERS 0 ± .0 ± .00 ± .000 ± .000 ±		
THIRD ANGLE PROJECTION		INTERPRET PER ASME Y14.5 - 2018		MAX. SURFACE ROUGHNESS ALL SURFACES .000 ± .000 ±		
3M ELECTRONICS MATERIALS SOLUTIONS DIVISION INTERCONNECT SOLUTIONS http://www.3m.com/interconnect		3M		© 3M COPYRIGHT 2022 This document and the information it contains are 3M property and may not be reproduced or further distributed without 3M permission, or used or disclosed other than for 3M authorized purposes. All rights reserved.		
3M IS A TRADEMARK OF 3M COMPANY. FOR TECHNICAL, SALES OR ORDERING INFORMATION CALL 800-225-5373		TITLE LATCH/EJECT HEADER, 2MM, STRAIGHT, RIGHT ANGLE & SMT		CAGE NUMBER D 78-5100-2199-7 MODEL 1552		
		UL FILE NO: E68080, VOLUME 2, SECTION 4		REV. NUMBER P SHT 1 OF 4		

3M ELECTRONICS MATERIALS SOLUTIONS DIVISION
INTERCONNECT SOLUTIONS
http://www.3m.com/interconnect

3M IS A TRADEMARK OF 3M COMPANY.
FOR TECHNICAL, SALES OR ORDERING
INFORMATION CALL 800-225-5373



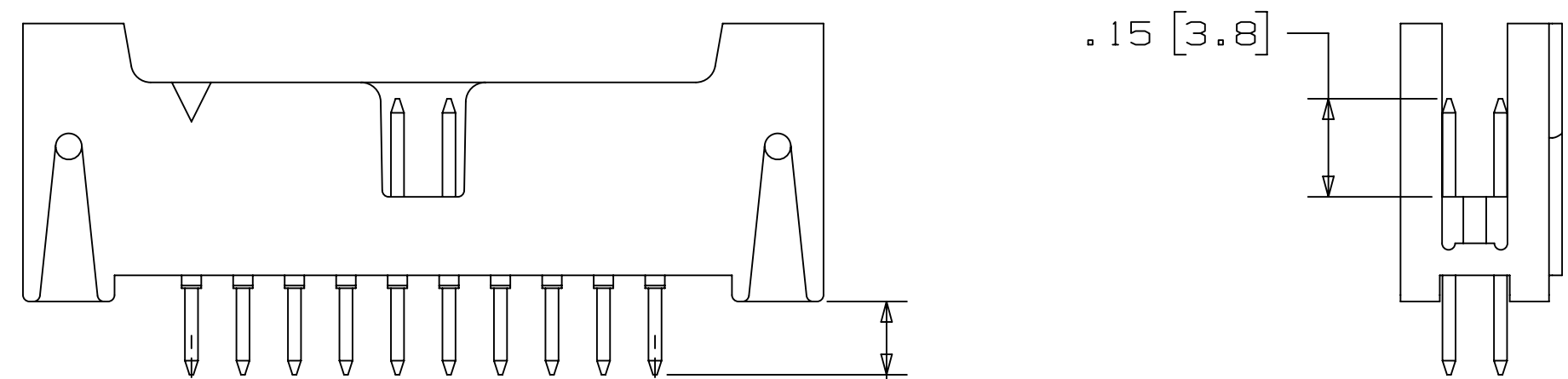
UL FILE NO: E68080,
VOLUME 2, SECTION 4

78-5100-2199-7
DRAWING NUMBER

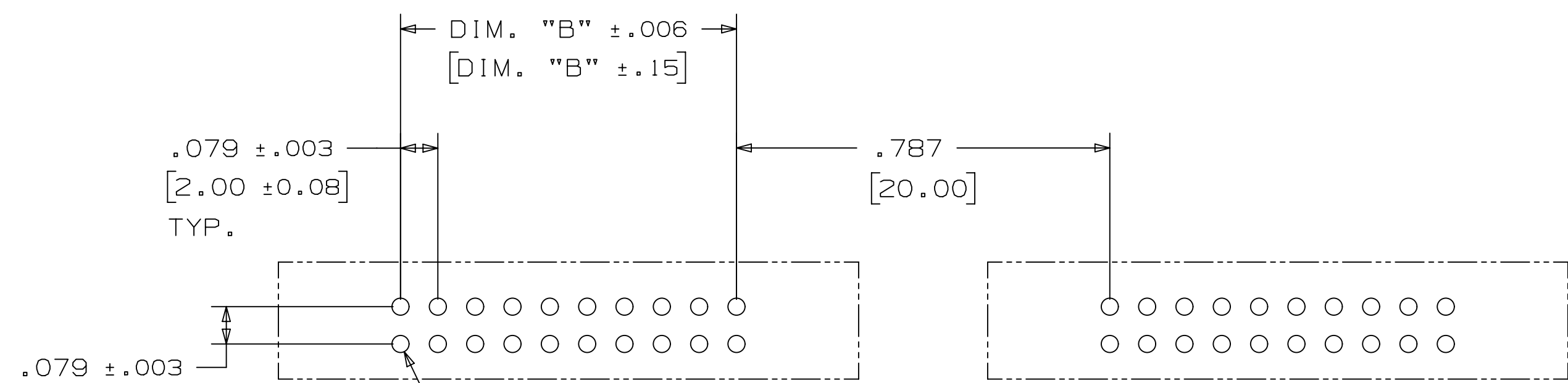
A

3M™ LATCH/EJECT HEADER, 1552 SERIES
2MM X 2MM STRAIGHT & RIGHT ANGLE, THROUGH-HOLE, STRAIGHT & SURFACE MOUNT

STRAIGHT VERSION



DIM. "E" ±.010
[DIM. "E" ±.25]
SEE ORDERING
INFO.



.079 ±.003
[2.00 ±0.08]
TYP.
Ø .036 ±.003
[0.91 ±0.08]
AFTER PLATING
TYP.

RECOMMENDED PC BOARD PATTERN
(VIEWED FROM CONNECTOR SIDE)

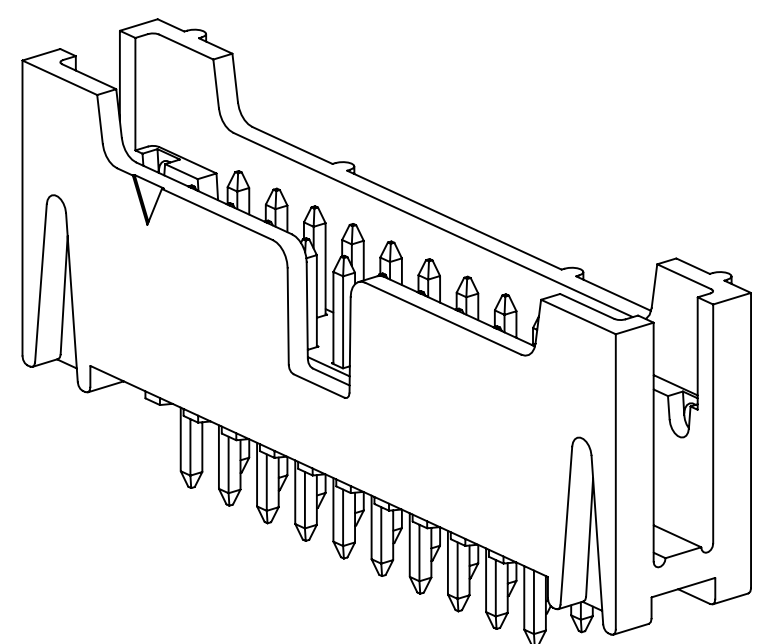
ORDERING INFORMATION
1552XX-6X0X-XX

LATCHING OPTIONS:
2 = LATCH, MOLDED-ON SOCKET WITH
LATCHING EARS, SERIES: 870, 2MM
3 = LATCH, PRESS-ON SOCKET, SERIES: 1522
4 = LATCH, 2MM SCI CARRIER ONLY,
SERIES: 93XX

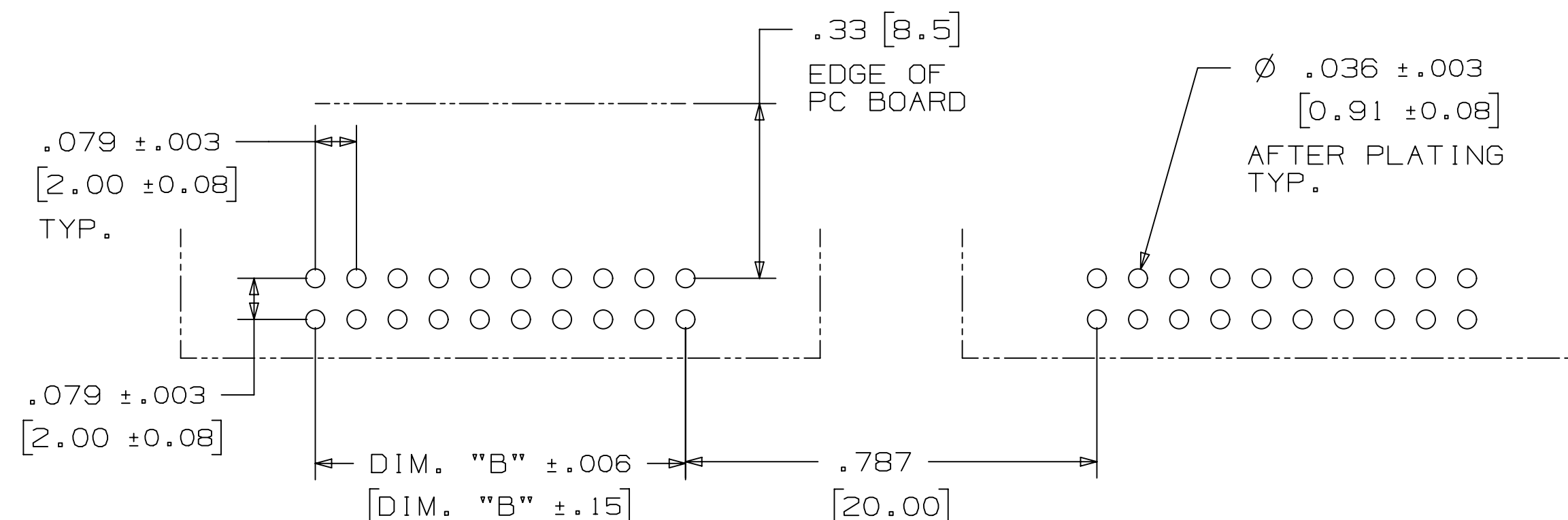
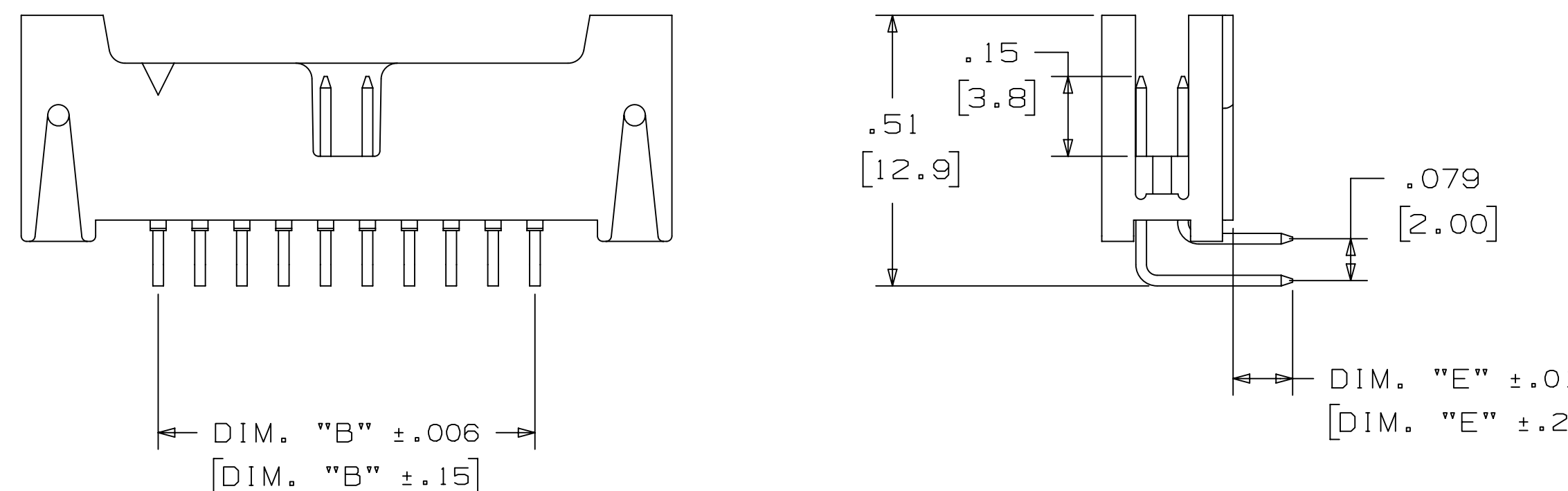
CONTACT QUANTITY: _____

PLATING OPTIONS:
RB = 30µ" AVG. [.76µm] GOLD
RA = 10µ" AVG. [.25µm] GOLD

SOLDER TAIL LENGTH:
DIMENSION "E"
2 = .112 [2.84]
3 = .155 [3.94]



RIGHT ANGLE VERSION



RECOMMENDED PC BOARD PATTERN
(VIEWED FROM CONNECTOR SIDE)

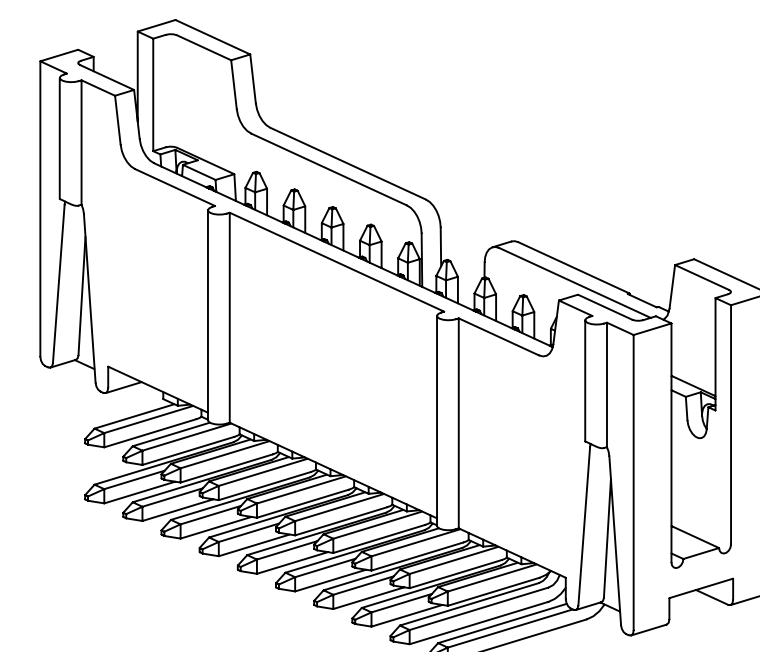
ORDERING INFORMATION
1552XX-5X0X-XX

LATCHING OPTIONS:
2 = LATCH, MOLDED-ON SOCKET WITH
LATCHING EARS, SERIES: 870, 2MM
3 = LATCH, PRESS-ON SOCKET, SERIES: 1522
4 = LATCH, 2MM SCI CARRIER ONLY,
SERIES 93XX

CONTACT QUANTITY: _____

PLATING OPTIONS:
RB = 30µ" AVG. [.76µm] GOLD
RA = 10µ" AVG. [.25µm] GOLD

SOLDER TAIL LENGTH:
DIMENSION "E"
2 = .112 [2.84]
3 = .155 [3.94]



P	103741	MAR 29, 2022	JNC	SAN
N	99400	REVISE 24P IN TABLE 1 SEP 20, 2021	JNC	FJR
M	97385	REVISE ELECTRICAL PERFORMANCE JUN 02, 2021	JNC	FJR
L	58601	REMOVED G1552XX, REVISED NOTES AUG 11, 2016	JNC	RS
		8-11-16 ADD SHT 4 REVISE TRADEMAKE NOTE JUN 01, 2016 PRODUCTION RELEASE, APR 29, 2016		

DESIGN REFERENCE	NEXT ASSEMBLY	REV	ECO	ISSUE DATE AND DESCRIPTION	DRFT	CHKD
DIVISION		EMSD		DATE		
DO NOT SCALE DRAWING		SCALE 4/1		DATE		
THIRD ANGLE PROJECTION		TOLERANCES EXCEPT AS NOTED		DATE		
INTERPRET PER ASME Y14.5 - 2018		INCHES .00 ±.01 .000 ±.008 .0000 ±.0002		DATE		
MAX. SURFACE ROUGHNESS		MILLIMETERS 0 ±		DATE		
MARKED ONLY		ANGLES		DATE		
CAGE NUMBER		DRAWING NO.		REV.		
D78-5100-2199-7		P		SHT 2 OF 4		

© 3M COPYRIGHT 2022
This document and the information it contains are
3M property and may not be reproduced or further
distributed without 3M permission, or used or
disclosed other than for 3M authorized purposes.
All rights reserved.

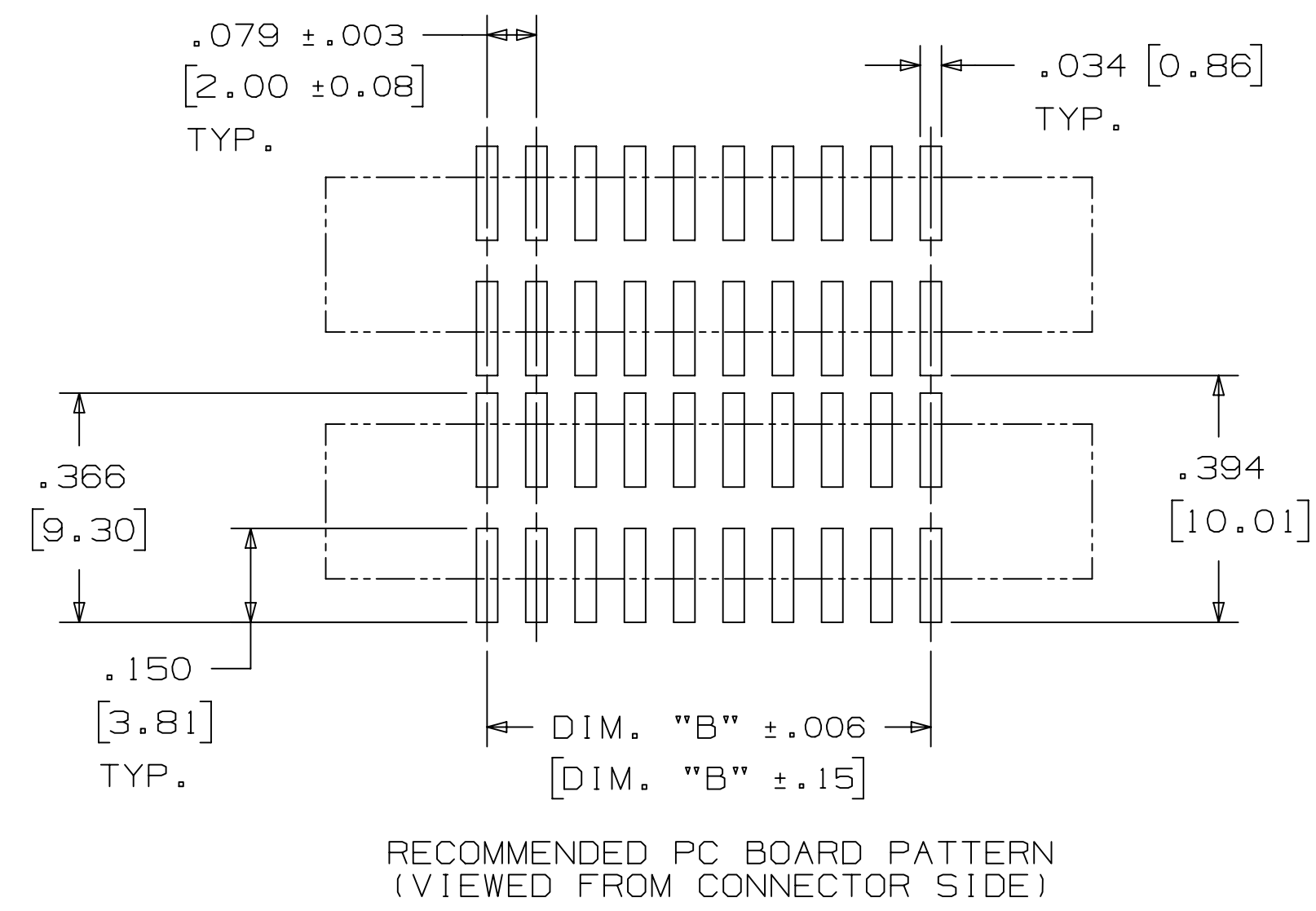
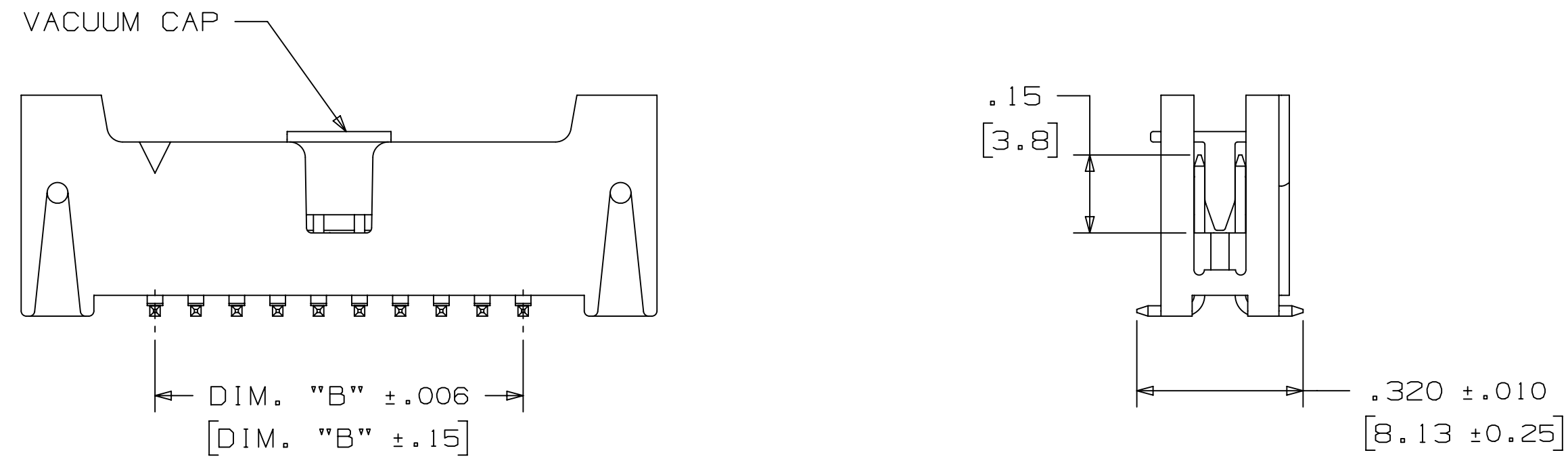
TITLE
LATCH/EJECT HEADER,
2MM, STRAIGHT, RIGHT
ANGLE & SMT

MODEL 1552
DET. [] YES [X] NO
SHT 2 OF 4

3M™ LATCH/EJECT HEADER, 1552 SERIES
2MM X 2MM STRAIGHT & RIGHT ANGLE, THROUGH-HOLE, STRAIGHT & SURFACE MOUNT

SURFACE MOUNT VERSION

- NOTES:
1) TAPE & REEL PARTS ALWAYS SUPPLIED WITH VACUUM PICK-UP CAP.
2) TAPE & REEL NOT AVAILABLE WITH SCI LATCH OPTION.
3) TRAY PARTS SUPPLIED WITHOUT VACUUM PICK-UP CAP.
4) SURFACE MOUNT VERSION: ORDER CODE APPLIES TO THE TAPE AND REEL WIDTH.



RECOMMENDED PC BOARD PATTERN
(VIEWED FROM CONNECTOR SIDE)

CONTACT QTY.	DIM. "A"	DIM. "B"	DIM. "D"	LATCH OPTION	TAPE WIDTH	ORDER CODE	CONTACT QTY.
06	.673 [17.09]	.157 [4.00]	.333 [8.45]	2, 4	44 MM	WD	06
08	.752 [19.10]	.236 [6.00]	.411 [10.44]	2, 4	44 MM	WD	08
10	.831 [21.10]	.315 [8.00]	.490 [12.45]	2, 3, 4	44 MM	WD	10
12	.910 [23.10]	.394 [10.00]	.569 [14.45]	3, 4	44 MM	WD	12
16	1.067 [27.10]	.551 [14.00]	.726 [18.44]	2, 4	56 MM	WE	16
20	1.224 [31.09]	.709 [18.00]	.884 [22.45]	2, 3, 4	56 MM	WE	20
22	1.303 [33.10]	.787 [20.00]	.963 [24.46]	2, 4	56 MM	WE	22
24	1.382 [35.10]	.866 [22.00]	1.041 [26.44]	2, 4	56 MM	WF	24
26	1.461 [37.10]	.945 [24.00]	1.120 [28.45]	2, 3, 4	72 MM	WF	26
30	1.618 [41.10]	1.102 [28.00]	1.278 [32.46]	2, 4	72 MM	WF	30
34	1.774 [45.09]	1.260 [32.00]	1.435 [36.46]	2, 4	72 MM	WF	34
40	2.012 [51.10]	1.496 [38.00]	1.671 [42.44]	2, 3, 4	72 MM	WF	40
44	2.169 [55.09]	1.654 [42.00]	1.829 [46.46]	2, 3, 4	88 MM	WG	44
50	2.405 [61.09]	1.980 [48.00]	2.065 [54.45]	2, 3, 4	88 MM	WG	50

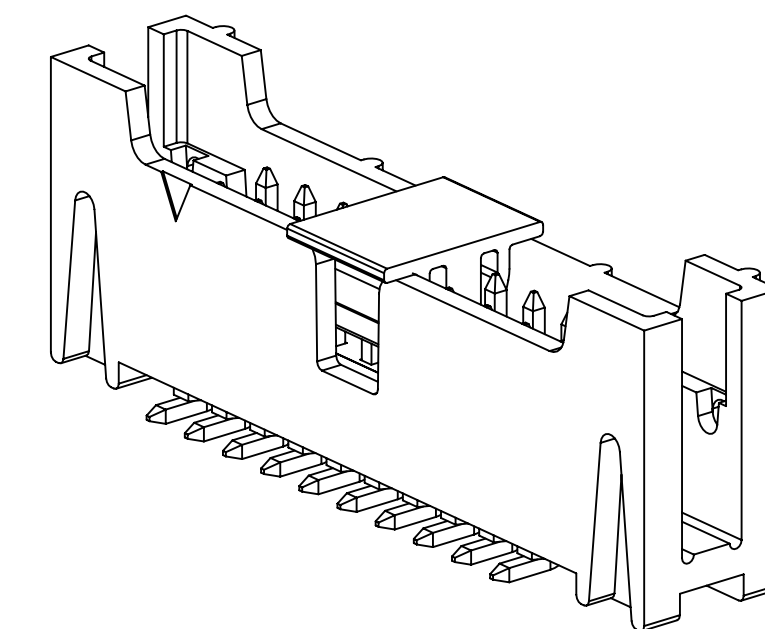
ORDERING INFORMATION
1552XX-2X00-XX-XX

CONTACT QUANTITY: _____

PACKAGING:
BLANK = TRAYS
WX = TAPE & REEL
(SEE TABLE 1 ORDER CODE)

LATCHING OPTIONS:
2 = LATCH, MOLDED-ON SOCKET WITH LATCHING EARS, SERIES: 870, 2MM
3 = LATCH, PRESS-ON SOCKET, SERIES: 1522
4 = LATCH, 2MM SCI CARRIER ONLY, SERIES 93XX

PLATING OPTIONS:
RB = 30μ" AVG. [.76μm] GOLD
RA = 10μ" AVG. [.25μm] GOLD



4

REV	ECO	ISSUE DATE AND DESCRIPTION	DRFT	CHKD
P	103741	MAR 29, 2022 REVISE 24P IN TABLE 1	JNC	SAN
N	99400	SEP 20, 2021 REVISE ELECTRICAL PERFORMANCE	JNC	FJR
M	97385	JUN 02, 2021 REMOVED G1552XX, REVISED NOTES	JNC	FJR
L	58601	AUG 11, 2016 8-11-16 ADD SHT 4 REVISE TRADEMAKE NOTE JUN 01, 2016 PRODUCTION RELEASE, APR 29, 2016	JNC	RS

DESIGN REFERENCE	NEXT ASSEMBLY	REV	ECO	ISSUE DATE AND DESCRIPTION	DRFT	CHKD
3M Center St. Paul, MN 55144	EMSD	CASTIGLIONE	DATE JAN 21, 2015	MFG DATE JAN 21, 2015	APPV R. SCHERER	DATE JAN 21, 2015
DO NOT SCALE DRAWING	SCALE 4 1	TOLERANCES EXCEPT AS NOTED				
THIRD ANGLE PROJECTION	INTERPRET PER ASME Y14.5 - 2018	MILLIMETERS		TITLE LATCH/EJECT HEADER, 2MM, STRAIGHT, RIGHT ANGLE & SMT		
MAX SURFACE ROUGHNESS R _a SURFACES	MARKED ONLY	INCHES		CAGE NUMBER D78-5100-2199-7 MODEL 1552		
		INCHES 0 ±.1 .00 ±.01 .000 ±.008 .0000 ±.0002		REV. NUMBER P SHT 3 OF 4		

DRAWING NUMBER
78-5100-2199-7

REVISION
P

3M™ LATCH/EJECT HEADER, 1552 SERIES
 2MM X 2MM STRAIGHT & RIGHT ANGLE, THROUGH-HOLE, STRAIGHT & SURFACE MOUNT

Regulatory: For regulatory information about this product, visit 3M.com/regs or contact your 3M representative.

Technical Information: The technical information, recommendations and other statements contained in this document are based upon tests or experience that 3M believes are reliable, but the accuracy or completeness of such information is not guaranteed.

Product Use: Many factors beyond 3M's control and uniquely within user's control can affect the use and performance of a 3M product in a particular application. Given the variety of factors that can affect the use and performance of a 3M product, user is solely responsible for evaluating the 3M product and determining whether it is fit for a particular purpose and suitable for user's method of application.

Warranty, Limited Remedy, and Disclaimer: Unless an additional warranty is specifically stated on the applicable 3M product packaging or product literature, 3M warrants that each 3M product meets the applicable 3M product specification at the time 3M ships the product. 3M MAKES NO OTHER WARRANTIES OR CONDITIONS, EXPRESS OR IMPLIED, INCLUDING, BUT NOT LIMITED TO, ANY IMPLIED WARRANTY OR CONDITION OF MERCHANTABILITY OR FITNESS FOR A PARTICULAR PURPOSE OR ANY IMPLIED WARRANTY OR CONDITION ARISING OUT OF A COURSE OF DEALING, CUSTOM OR USAGE OR TRADE. If the 3M product does not conform to this warranty, then the sole and exclusive remedy is, at 3M's option, replacement of the 3M product or refund of the purchase price.

Limitation of Liability: Except where prohibited by law, 3M will not be liable for any loss or damage arising from the 3M product, whether direct, indirect, special, incidental or consequential, regardless of the legal theory asserted, including warranty, contract, negligence or strict liability.

3M Company
 Electronics Materials Solutions Division
 13011 McCallen Pass, Bldg. C
 Austin, TX 78753-5380
 1-800-225-5373
www.3M.com/interconnect

REV	ECO	ISSUE DATE AND DESCRIPTION	DRFT	CHKD
P	103741	MAR 29, 2022 REVISE 24P IN TABLE 1	JNC	SAN
N	99400	SEP 20, 2021 REVISE ELECTRICAL PERFORMANCE	JNC	FJR
M	97385	JUN 02, 2021 REMOVED G1552XX, REVISED NOTES	JNC	FJR
L	58601	AUG 11, 2016 8-11-16 ADD SHT 4 REVISE TRADEMAKE NOTE JUN 01, 2016 PRODUCTION RELEASE, APR 29, 2016	JNC	RS

DESIGN REFERENCE	NEXT ASSEMBLY	REV	ECO	ISSUE DATE AND DESCRIPTION	DRFT	CHKD

DRG CODES	DATE	DRFT	DATE	CHKD	DATE
	JAN 21, 2015	CASTIGLIONE			
				R. SCHERER	JAN 21, 2015

DIVISION	DIVISION CODE	EMSD

DO NOT SCALE DRAWING	SCALE	TOLERANCES EXCEPT AS NOTED
<input checked="" type="checkbox"/>	1	INCHES 0 ±.1 .00 ±.01 .000 ±.008 .0000 ±.0002

THIRD ANGLE PROJECTION	MILLIMETERS
	0 ±

INTERPRET PER ASME Y14.5 - 2018	MAX SURFACE ROUGHNESS	MARKED ONLY
<input checked="" type="checkbox"/>	0 ± .00 ± .000 ±	<input checked="" type="checkbox"/>

TITLE	CAGE NUMBER	SIZE	DRAWING NO.	REV.
LATCH/EJECT HEADER, 2MM, STRAIGHT, RIGHT ANGLE & SMT	D		78-5100-2199-7	P

MODEL	1552	DET	LISTS	YES	NO	SHT 4 OF 4
				<input checked="" type="checkbox"/>	<input type="checkbox"/>	

78-5100-2199-7
DRAWING NUMBER

A