

## SUMMARY



Image is for illustrative purpose only

### # Wires

Coax 1

Series 03  
Termination type Female solder  
IP rating 68 mated (mating interface)  
AWG wire size 0.00 - 0.00  
Cable Ø 0.00 - 0.00 mm  
Status active

### Download

[Request a quote](#)

[Catalog](#)

## TECHNICAL DETAILS

### Mechanics

Shell Style/Model HVR.03\*: Fixed receptacle, hexagonal flange,  
Keying  
Housing Material Brass (chrome plated [SAE AMS 2460]) shell and collet nut, nickel plated [SAE AMS QQ N 290] brass latch sleeve and mid pieces  
Variant PV : Watertight / Vacuum-tested unmated (connector to device)  
Weight 4.53 g

### Performance

Configuration 03.250 : 1 Coax (50 Ohm)  
Insulator  
Rated Current

### Specifications

Contact Type: Solder

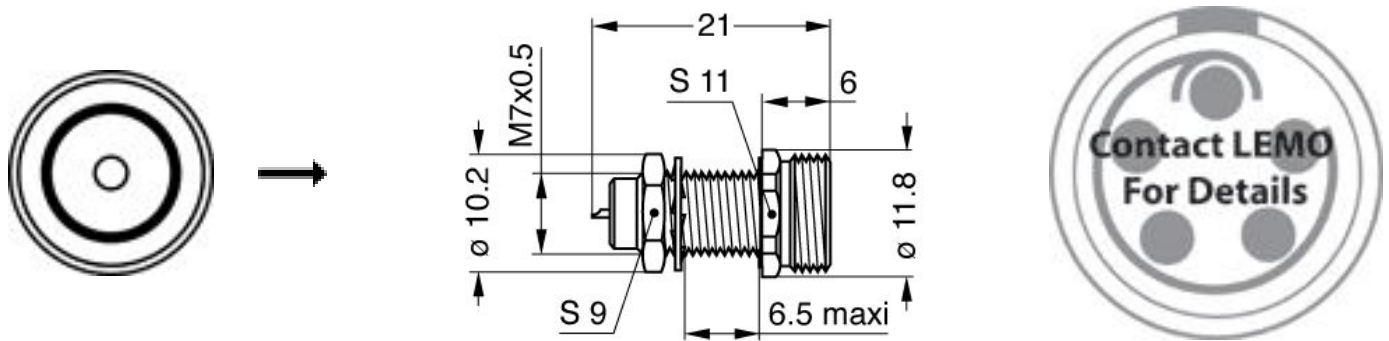
### Others

Temp (min / max): -20° C / +100° C  
Humidity (max): <=95% [at 60 deg C / 140 F]

LEMO products and services are provided "as is". LEMO makes no warranties or representations with regard to LEMO product & services or use of them, express, implied or statutory, including for accuracy, completeness, or security. The user is fully responsible for his products and applications using LEMO components.

Climatical Category: 20/200/21  
 Shielding (min): 100 dB (10 MHz)  
 Shielding (min): 80 dB (1 GHz)  
 R leak (He) (max): 0.0000001 mbar\*l/s (if vacuum-tested)  
 Salt Spray Corrosion: >1000 hr  
 Pressure: 60 bars (120 bars with LEMO cable assembly)

## DRAWINGS



### Dimensions

	A	B	E	L	M	S1	S2	e
mm.	11.8	10.2	6.5	21	6	11	9	M7x0.5
in.	0,46	0,40	0,26	0,83	0,24	0,43	0,35	

## RECOMMENDED BY LEMO

### Tools

LEMO products and services are provided "as is". LEMO makes no warranties or representations with regard to LEMO product & services or use of them, express, implied or statutory, including for accuracy, completeness, or security. The user is fully responsible for his products and applications using LEMO components.