

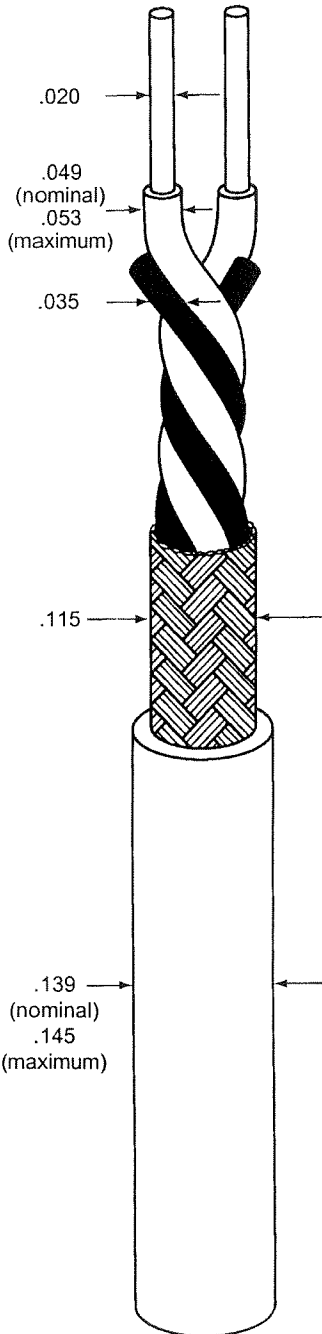
THIS SPECIFICATION SHEET FORMS A PART OF THE LATEST ISSUE OF RAYCHEM SPECIFICATION 1200.

**CONSTRUCTION DETAILS**

**ELECTRICAL CHARACTERISTICS**

DIMENSIONS ARE NOMINAL VALUES IN INCHES UNLESS OTHERWISE DESIGNATED.

CHARACTERISTIC IMPEDANCE	120 ± 10 ohms, Method C at 1 MHz
CAPACITANCE-MUTUAL	12.5 pF/ft. (nominal)
VELOCITY OF PROPAGATION	77% (nominal)



**CONDUCTORS**  
AWG 26, 19 Strands of  
AWG 38, Silver-Coated  
High Strength Copper  
Alloy

**DIELECTRICS**  
Rayfoam<sup>®</sup> H  
Colors - White / Light  
Blue

**FILLERS**  
Radiation-Crosslinked,  
Modified ETFE

**SHIELD**  
AWG 38  
Tin-Coated Copper

**JACKET**  
Modified FEP

**ADDITIONAL REQUIREMENTS**

**ELECTRICAL**

CONDUCTOR RESISTANCE	42.0ohms/1000ft. (nominal)
INSULATION RESISTANCE	10,000megohms (minimum) for 1000ft.
JACKET FLAWS	
SPARK TEST	1.0kV (rms)
IMPULSE TEST	6.0kV (peak)
VOLTAGE WITHSTAND (DIELECTRIC)	1000volts (rms) (minimum)

**ENVIRONMENTAL**

FLAMMABILITY	MethodB
HEAT SHOCK	225°C
LOW TEMPERATURE- COLDBEND	-55°C/3.75 inch mandrel
VOLTAGE WITHSTAND (POST ENVIRONMENTAL)	1000volts (rms), 1 minute

**PHYSICAL**

INSULATION (DIELECTRIC) (Prior to Cabling)	
ELONGATION	50% (minimum)
TENSILE STRENGTH	600lbf/in <sup>2</sup> (minimum)
JACKET	
ELONGATION	200% (minimum)
TENSILE STRENGTH	2000lbf/in <sup>2</sup> (minimum)
JACKET THICKNESS	.012inch (nominal)
SHIELD BRAID ANGLE	18° (minimum), 40° (maximum)
SHIELD COVERAGE	90% (minimum)

WEIGHT	16.0lbs/1000ft. (nominal)
--------	---------------------------

Outer jacket will be Transparent white (designated by a "-9X" appended to the part number, e.g., 2026D0024-9X) unless otherwise specified.

Designate outer jacket color with a dash number in accordance with MIL-STD-681.