

1924900-1 ✓ ACTIVE

Generation Y Connector System

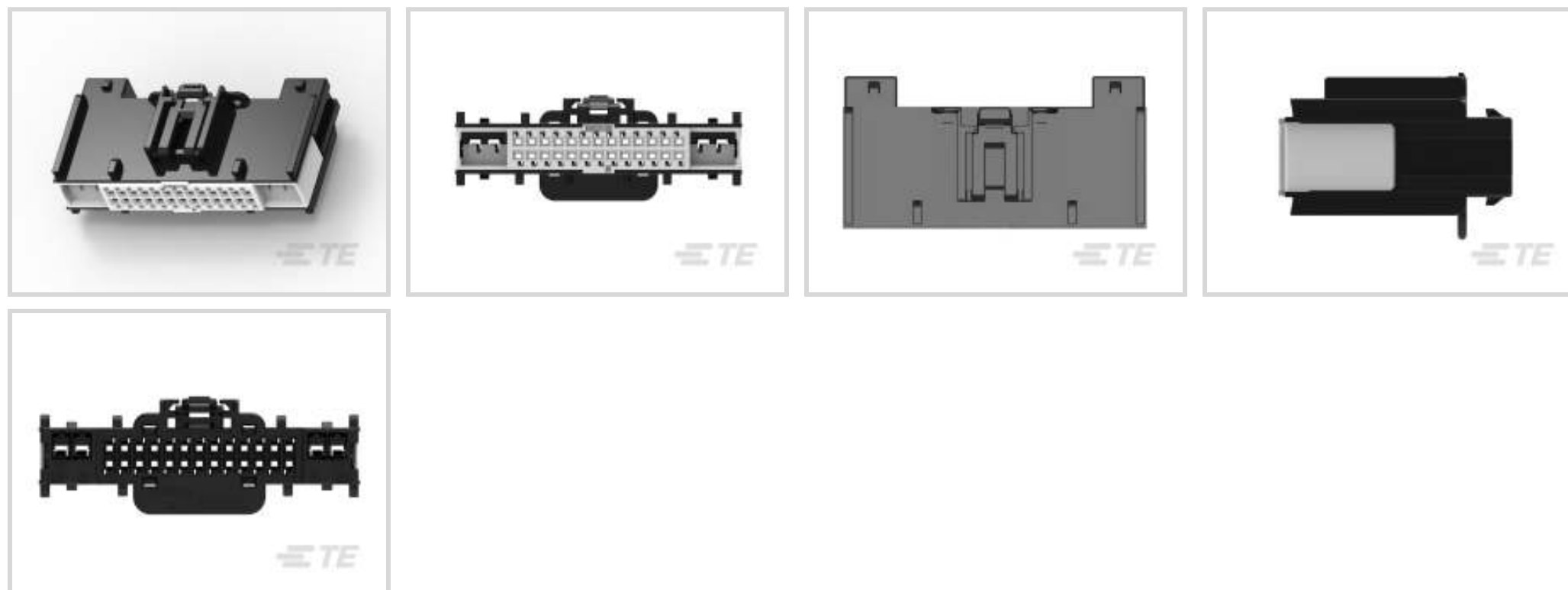
TE Internal #: 1924900-1

Plug, 30 Position, .1 in [2.54 mm] Centerline, Black, Wire & Cable, Power & Signal, Cable Mount (Free-Hanging), Key A, Generation Y Connector System

[View on TE.com >](#)



Connectors > Automotive Connectors > Automotive Housings



Connector & Housing Type: **Plug**

Mating Tab Width: **.64 mm, 1.5 mm [.025 in, .06 in]**

Number of Positions: **30**

Centerline (Pitch): **2.54 mm [.1 in]**

Sealable: **No**

Features

Product Type Features

Connector & Housing Type	Plug
Sealable	No
Hybrid Connector	Yes
Primary Locking Feature	Integrated in Housing
Connector & Contact Terminates To	Wire & Cable

Configuration Features

Number of Positions	30
Number of Rows	2

Body Features

Primary Product Color	Black
Connector & Keying Code	A

Contact Features

Contact Size	.64mm, 1.5mm
Mating Tab Width	.64 mm, 1.5 mm[.025 in][.06 in]



Mechanical Attachment

Terminal Position Assurance	Yes
Connector Mounting Type	Cable Mount (Free-Hanging)

Housing Features

Housing Material	PA66 GF35
Centerline (Pitch)	2.54 mm [.1 in]

Operation/Application

Circuit Application	Power & Signal
---------------------	----------------

Packaging Features

Packaging Quantity	275
Packaging Method	Bulk

Other

Connector Position Assurance Capable	No
--------------------------------------	----

Product Compliance

[For compliance documentation, visit the product page on TE.com>](#)

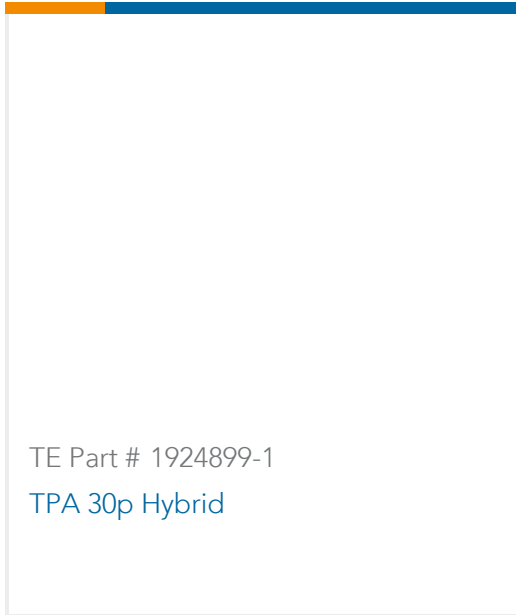
EU RoHS Directive 2011/65/EU	Compliant
EU ELV Directive 2000/53/EC	Compliant
China RoHS 2 Directive MIIT Order No 32, 2016	No Restricted Materials Above Threshold
EU REACH Regulation (EC) No. 1907/2006	Current ECHA Candidate List: JUNE 2023 (235) Candidate List Declared Against: JUNE 2023 (235) Does not contain REACH SVHC
Halogen Content	Low Halogen - Br, Cl, F, I < 900 ppm per homogenous material. Also BFR/CFR/PVC Free
Solder Process Capability	Not applicable for solder process capability

Product Compliance Disclaimer

This information is provided based on reasonable inquiry of our suppliers and represents our current actual knowledge based on the information they provided. This information is subject to change. The part numbers that TE has identified as EU RoHS compliant have a maximum concentration of 0.1% by weight in homogenous materials for lead, hexavalent chromium, mercury, PBB, PBDE, DBP, BBP, DEHP, DIBP, and 0.01% for cadmium, or qualify for an exemption to these limits as defined in the Annexes of Directive 2011/65/EU (RoHS2). Finished electrical and electronic equipment products will be CE marked as required by Directive 2011/65/EU. Components may not be CE marked. Additionally, the part numbers that TE has identified as EU ELV compliant have a maximum concentration of 0.1% by weight in homogenous materials for lead, hexavalent chromium, and mercury, and 0.01% for cadmium, or qualify for an exemption to these limits as defined in the Annexes of Directive 2000/53/EC (ELV). Regarding the REACH Regulation, the information TE provides

on SVHC in articles for this part number is based on the latest European Chemicals Agency (ECHA) 'Guidance on requirements for substances in articles' posted at this URL: <https://echa.europa.eu/guidance-documents/guidance-on-reach>

Compatible Parts




TE Part # 1924899-1
TPA 30p Hybrid


Also in the Series | Generation Y Connector System




Automotive Connector Caps & Covers (17)



Automotive Housings(155)



Automotive Terminals(39)

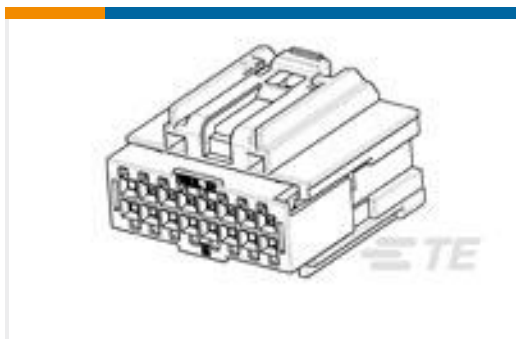


Insertion & Extraction Tools(1)

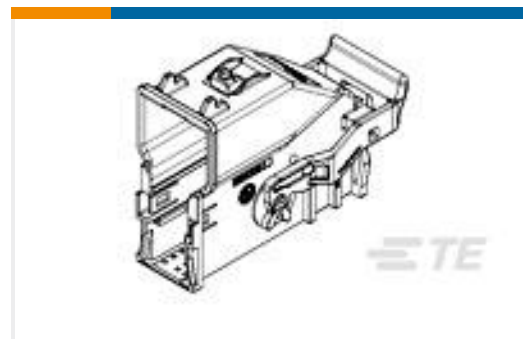


PCB Headers & Receptacles(15)

Customers Also Bought



TE Part #1456867-3
PLG ASSY,2X8,UNSEALD, 0.64,Gen



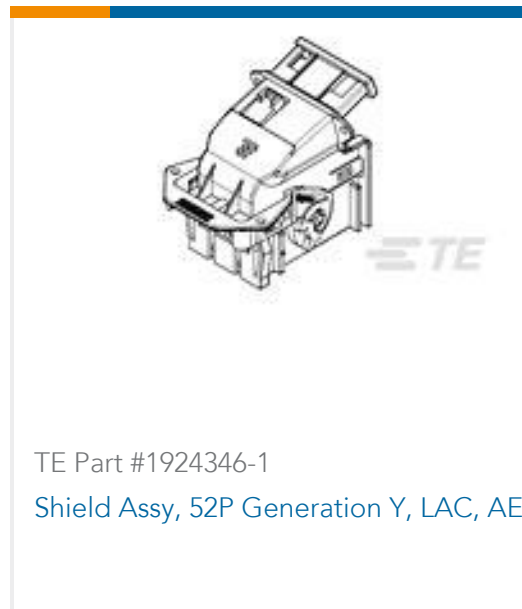
TE Part #1924337-1
Shield Assembly, 54 POSN, 0.64mm BLK



TE Part #1924341-1
18P, 1 Row Carrier for54P LAC



TE Part #2098660-1
32P Shield, GY HandMate



Documents

CAD Files

Customer View Model

[ENG_CVM_CVM_1924900-1_A.2d_dxf.zip](#)

English

3D PDF

3D

Customer View Model

[ENG_CVM_CVM_1924900-1_A.3d_igs.zip](#)

English

Customer View Model

[ENG_CVM_CVM_1924900-1_A.3d_stp.zip](#)

English

By downloading the CAD file I accept and agree to the [Terms and Conditions](#) of use.