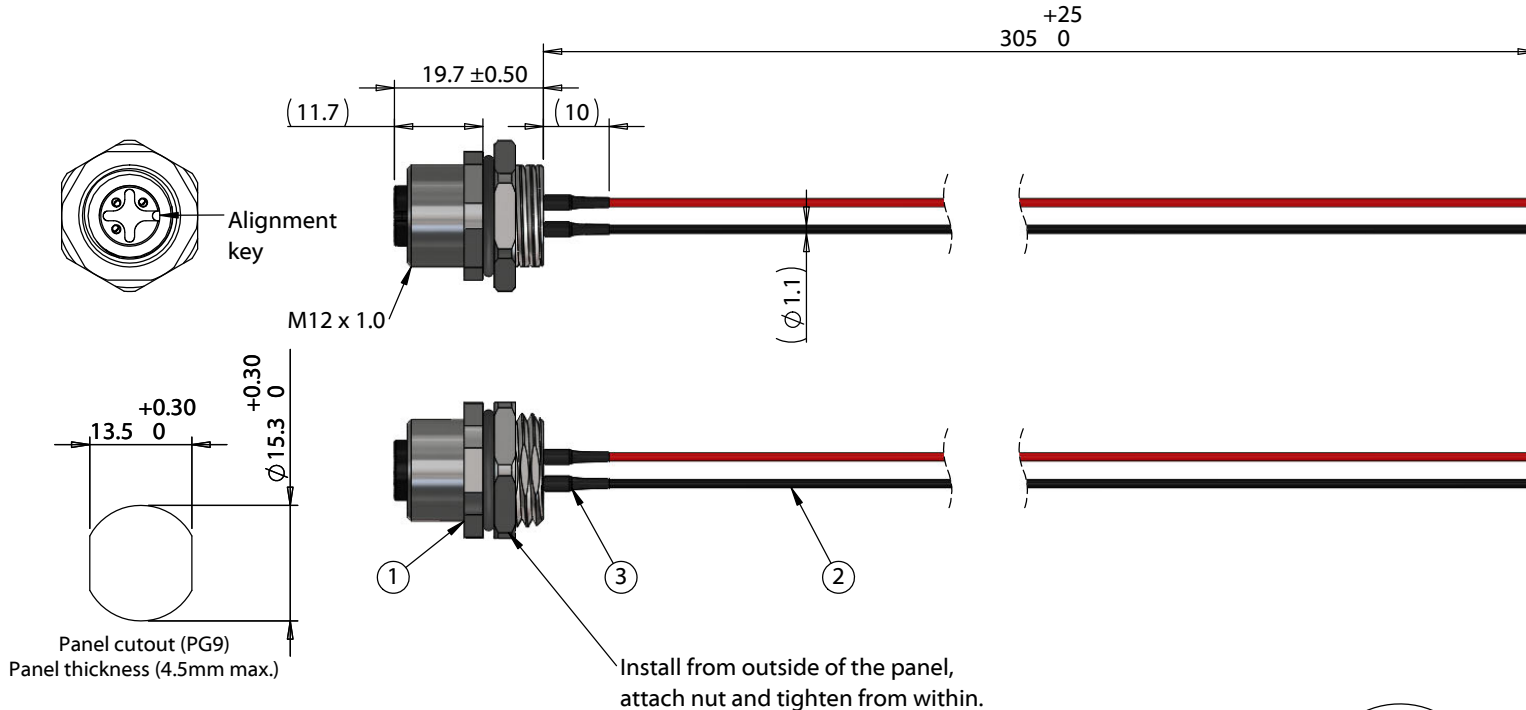


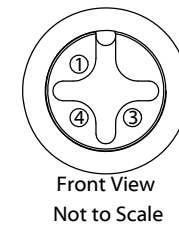
ITEM NO.	PART NUMBER	DESCRIPTION	QTY.	COMPONENT NOTES
1	54-00180	Connector, 3 pin M12 A-code socket, 12xL21.5mm, gold plated, panel mount, solder cup, IP67	1	nut and o-ring included
2	Wire	Wire, hook-up, TS, 24 AWG, UL 11028, 600V, 105C, 1.1 mm, mPPE	3	color: red, black, white
3	Heat shrink	Heat shrink, UL, black	3	covers solder joints



**Notes:**  
Cable rated for 250 V, 4 A  
Temperature: -40 ~ 105 °C

IP67 waterproof rating when mated with corresponding (IP67) connector and installed properly in panel

Cables individually packaged in PE bag  
Functionally equivalent components may be substituted



Wiring Diagram	
54-00180	wire color (P/N)
1	red (30-01762)
3	black (30-01763)
4	white (30-01764)

Revision:	Date:	Description:	Prepared:	Notes:	<h1>TENSILITY</h1> tel 1.541.323.3228 800 877.670.7118 fax 1.541.323.4202 web tensility.com
A	4/20/2021	Initial release	AG <small>Digitally signed by AG Date: 2021.04.21 12:00:13 -07'00'</small>		
			Verified:	Function test: no open, no short circuit, no intermittent	Size: Part number: A 10-04036
			AW <small>Digitally signed by AW Date: 2021.04.21 14:13:02 -07'00'</small>	Description:	
			Dimensions are in millimeters. Tolerances: X: ± 0.5 mm X.X: ± 0.3 mm X.XX: ± 0.05 mm	Cable, 305 mm, M12 3C socket panel mount 54-00180 to blunt cut, 24 AWG, UL 11028 hook-up wire	Scale: 1:1

5

4

3

2

1