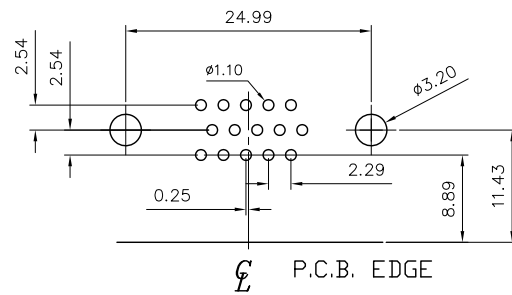
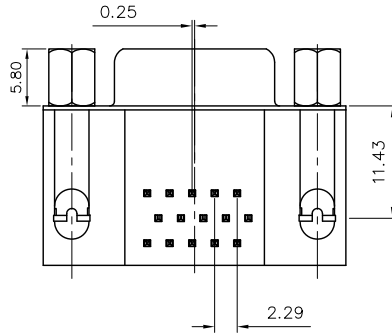
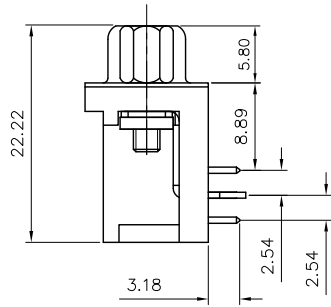
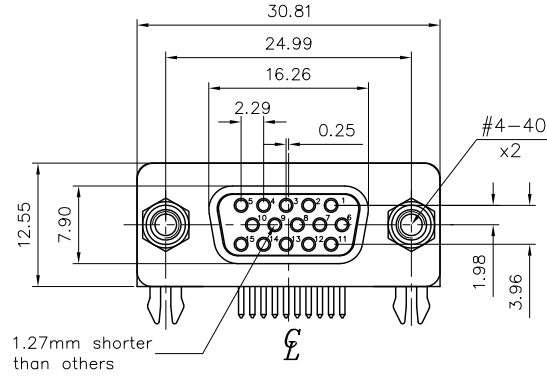


This document is the property of Amphenol Corporation and is delivered on the express condition that it is not to be disclosed, reproduced or used, in whole or in part, for manufacture or sale by anyone other than Amphenol Corporation without its prior consent, & that no right is granted to disclose or to use any information in this document.



RECOMMENDED P.C.B LAYOUT
(TOLERANCE +/-0.03)

Customer drawing

REVISIONS

SYM	ECN	DESCRIPTION	DATE	APPROVED
1	HK--	First Release Release	01/20/10	IP
2	HK--	Update the drawing	04/20/12	IP

D-SUB TECHNICAL DATA

SHELL : Steel, 100u" min. tin over 50u" min nickel
 BODY : Glass filled thermoplastic.
 Flame retardant to UL94 V-0 color Blue
 CONTACTS : Copper alloy
 gold flash plating on mating area
 100u" min tin over 50" min nickel on solder area
 BOARDLOCK : Brass, 100u" tin over 50u" min nickel
 Front screwlock : Brass, 50u" min. nickel
 ELECTRICAL : Voltage rating 600 V Rms to 50 Hz
 Current rating 3.0 A
 Withstanding Voltage >1000 V Rms to 50 Hz for one minute
 Insulation resistance >5000 M Ohms
 Contact resistance 20 mOhms max.
 CLIMATIC : Temperature range -55 °C up to 125°C
 MARKING : Amphenol logo

PRODUCT CODE

L 77 HD E 15 S D1 CH 4F VGA

L: RoHS Compliance

77: tinned shell for receptacle

Shell Size :E

Configuration: 15

VGA: 9th less than 1.27mm, blue

mounting options:
4F=Front screw 4-40

P.C.B Locking type:
Grounding Tab.+ Boardlocks

Contact type:
S:Female

UNLESS OTHERWISE SPECIFIED TOLERANCES		APPROVAL		DATE
U.S.	METRIC	DRAWN	Mary.Ma 04/20/12	
.X +/-	0.50	CHECKED	Tony.Tang 04/20/12	
.XX +/-	0.30	CHECKED		
.XXX +/-	0.20			
FRACTIONS +/-				
ANGLES +/-	2'			
FOR MATERIALS AND FINISHES SEE NOTES				
REMOVE SHARP EDGES				
DRAWING FILE :				
ANGLE OF PROJECTION				
DIMENSIONS				
U.S. INCHES				
METRIC MM				

Amphenol®

TITLE
Stamped and formed contact, HD series

SIZE	DRAWING NO.	REV.
A4	C L77HDE15SD1CH4FVGA	2
SCALE	N/A	SHEET 1 OF 1