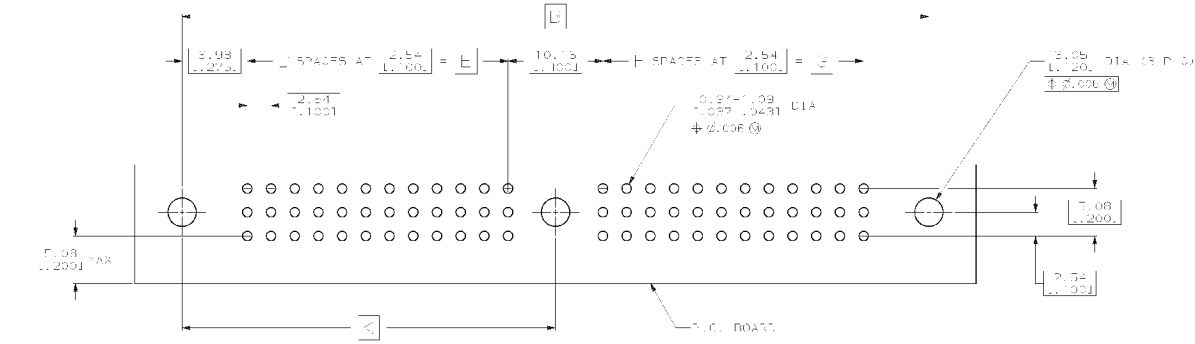
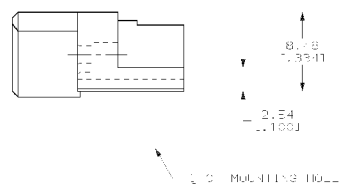
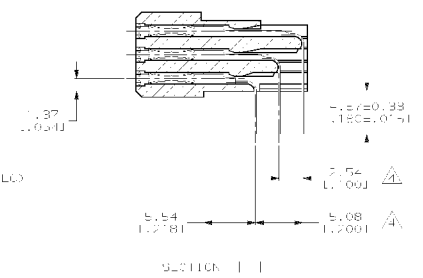
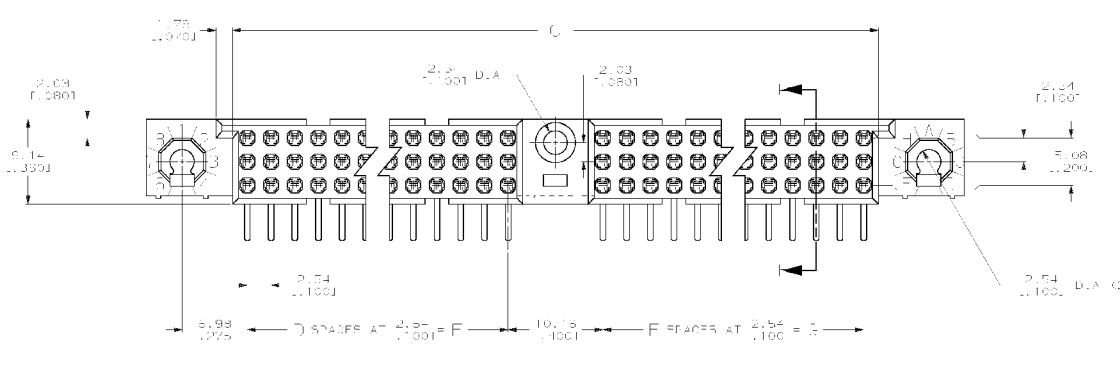
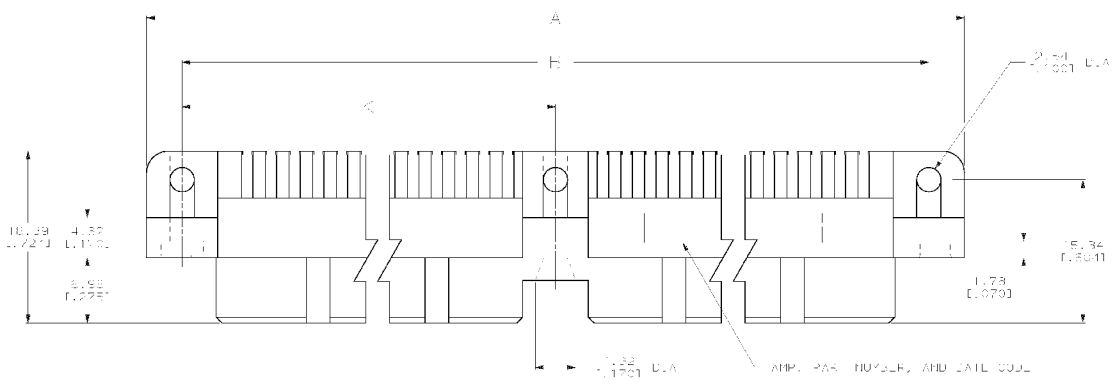


REV	DATE	BY	CHK	APP	DESCRIPTION	DATE	APP
AC	03/25/79	...	...	...	REVISED...	...	...
B	...	...	...	...	...	...	...
C	...	...	...	...	...	...	...
D	...	...	...	...	...	...	...
E	...	...	...	...	...	...	...
F	...	...	...	...	...	...	...
G	...	...	...	...	...	...	...
H	...	...	...	...	...	...	...
I	...	...	...	...	...	...	...
J	...	...	...	...	...	...	...
K	...	...	...	...	...	...	...



PART NO.		AMP INCORPORATED	
<p>Q1. NOT FOR PRINT Q1.2. PART NUMBER Q1.3. DIMENSIONS Q1.4. TOLERANCES Q1.5. SURF. FINISH Q1.6. REF. DIMS. Q1.7. FILE DIMS. Q1.8. SPEC. MATERIAL</p>	<p>Q2. PART NO. Q2.1. PART NAME Q2.2. DIMENSIONS Q2.3. TOLERANCES Q2.4. SURF. FINISH Q2.5. REF. DIMS. Q2.6. FILE DIMS. Q2.7. SPEC. MATERIAL</p>	<p> </p>	<p> <b>AMP</b> Incorporated                  630 N. 3rd St., Philadelphia, PA 19123-2000                  TEL: (215) 263-1000                  FAX: (215) 263-1001                  WWW: www.amp.com             </p>
FINISH		<p>                     Q3. PART NO. (DRAWING NO.)                      Q3.1. PART NAME                      Q3.2. DIMENSIONS                      Q3.3. TOLERANCES                      Q3.4. SURF. FINISH                      Q3.5. REF. DIMS.                      Q3.6. FILE DIMS.                      Q3.7. SPEC. MATERIAL                 </p>	
		<p>                     Q4. PART NO. (DRAWING NO.)                      Q4.1. PART NAME                      Q4.2. DIMENSIONS                      Q4.3. TOLERANCES                      Q4.4. SURF. FINISH                      Q4.5. REF. DIMS.                      Q4.6. FILE DIMS.                      Q4.7. SPEC. MATERIAL                 </p>	



THIS DRAWING IS UNLESS OTHERWISE SPECIFIED TO CONFORM TO THE DIMENSIONS AND TOLERANCES SHOWN THEREON.

REV. DATE  
AC 25  
REV. DATE  
K 11.1.1  
REV. DATE  
DATE

- ⚠ DIMENSIONS IN PARENTHESES ARE FOR INFORMATION ONLY.
- ⚠ DIMENSIONS IN BRACKETS ARE IN INCHES.
- ⚠ PART NUMBER IS OBSOLETE.

⚠	104.20 16.0700	112.24 08.8000	20	142.24 15.8000	50	207.09 11.7200	208.61 10.1600	216.29 10.4500	242	3229 8-0
⚠	108.58 12.2700	08.52 03.8000	38	06.52 03.8000	38	208.85 10.1240	217.17 08.5500	224.76 08.8500	244	3229 8-2
⚠	184.48 16.7200	152.40 16.0000	30	152.40 16.0000	60	318.11 112.5200	308.68 12.9000	336.55 13.2000	963	3229 8-8
⚠	144.84 16.1200	144.78 15.7000	22	144.78 15.7000	22	202.87 11.1800	212.82 10.8000	221.21 10.8000	248	3229 8-7
⚠	148.24 15.8700	137.16 05.4000	24	137.16 15.4000	54	207.63 11.3000	206.73 11.9500	206.07 10.8500	230	3229 8-3
⚠	141.80 15.8200	129.51 05.1000	27	129.51 15.1000	57	222.34 110.2200	208.21 11.1500	230.85 11.4500	312	3229 8-5
⚠	138.66 15.8200	121.62 10.3000	18	121.62 10.3000	18	207.15 110.1200	207.07 10.5000	205.59 10.8000	254	3229 8-4
⚠	128.20 11.9100	114.00 12.8000	25	114.00 11.8000	25	241.01 10.5200	232.72 10.9500	250.30 10.2500	278	3229 8-6
⚠	118.17 11.8700	106.58 14.2000	22	106.58 11.2000	22	226.67 10.9240	237.78 10.9500	250.71 09.6500	218	3229 8-2
⚠	111.12 14.3700	08.06 03.8000	39	08.06 03.8000	39	211.73 10.3740	222.28 10.7500	229.87 09.0500	240	3229 8-1
	K	G	F	F	G	B	A	POUN	PART NUMBER	

DO NOT SCALE PRINT.  
DIMENSIONS IN PARENTHESES ARE FOR INFORMATION ONLY.  
DIMENSIONS IN BRACKETS ARE IN INCHES.  
3 DEC. DEC. 2008 3 11.000  
MATERIAL

FINISH

AMP  
AMP Incorporated  
One Technology Center  
Bala Cynwyd, PA 19004-3996

REV. DATE  
AC 25  
REV. DATE  
K 11.1.1  
REV. DATE  
DATE

AMP  
AMP Incorporated  
One Technology Center  
Bala Cynwyd, PA 19004-3996

REV. DATE  
AC 25  
REV. DATE  
K 11.1.1  
REV. DATE  
DATE

