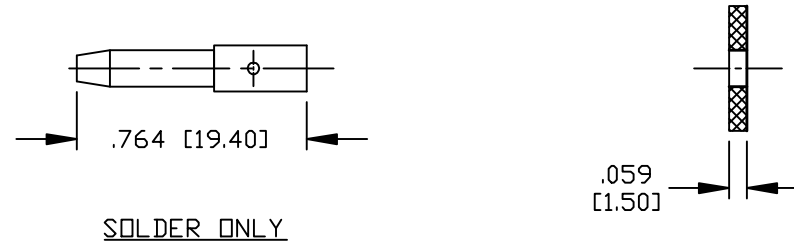
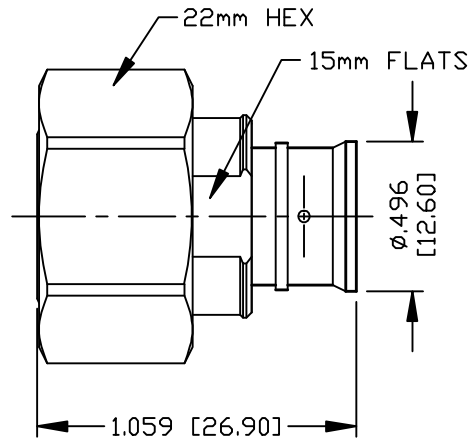


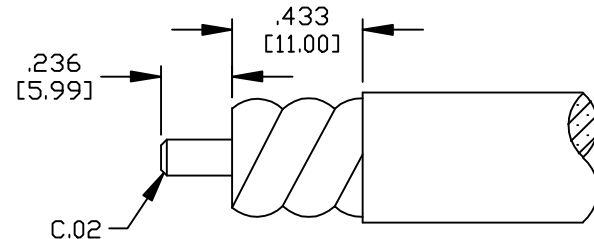
PART NO.

RFD-43MDS-H8

REV	DESCRIPTION	DWN	DATE	APPROVED
A	UPDATED SPECS	DM	10/22/20	JDM

SPECIFICATIONS:

INTERFACE: IEC61169-54
 IMPEDANCE: 50 Ohms
 FREQUENCY RANGE: 0-6 GHz
 RETURN LOSS: 30 dB, DC-700 MHz
 RETURN LOSS: 26 dB, 700-3500 MHz
 RETURN LOSS: 21 dB, 3500-6000 MHz
 INSERTION LOSS: -0.1 dB MAX
 3rd ORDER IM: <-161 dBc
 3rd ORDER IM TEST METHOD 2x43 dBm CARRIERS
 VOLTAGE RATING: 500V RMS MAX
 DIELECTRIC WITHSTANDING VOLTAGE: 2500 VRMS MAX
 INSULATION RESISTANCE: 5000 MΩ MIN
 MATING CYCLES: >100
 COUPLING TORQUE: 5 Nm
 TEMPERATURE RANGE: -55° TO 90° C
 ENVIRONMENTAL: IP68 MATED
 COMPLIANCE: RoHS
 NET WEIGHT: 0.1 lb
 FOR FSJ2-50, LCF38-50J, LDF2-50, SCF38-50J, SPF-375,
 SPO-375 & SPP-375 CABLE

RECOMMENDED STRIPING DIMENSIONS

CUSTOMER OUTLINE DRAWING		RFconnectors		RF INDUSTRIES.COM 7610 MIRAMAR RD. SAN DIEGO, CA 92126 (858) 549-6340 DIVISION OF RF INDUSTRIES, LTD. (858) 549-6345 FAX	
ALL DIMENSIONS ARE REFERENCE ONLY		PROPRIETARY AND CONFIDENTIAL		4.3/10 MALE	
UNLESS OTHERWISE SPECIFIED: DIMENSIONS ARE IN INCHES AND [MILLIMETERS]		THIS DRAWING CONTAINS INFORMATION PROPRIETARY TO RF INDUSTRIES. ANY UNAUTHORIZED USE OF THIS DRAWING IS EXPRESSLY PROHIBITED WITHOUT WRITTEN PERMISSION FROM RF INDUSTRIES. ANY VIOLATION IS PUNISHABLE UNDER U.S. COPYRIGHT LAWS.		SOLDER, FOR 3/8" SUPERFLEX	
DRAWN DM	10/22/20	CABLE GROUP H8	DWG # RFD-43MDS-H8	REVISION A	
CHECKED		FORMAT A	SCALE NTS	CONTROL # 000000	SHEET 1 OF 1
ORJ DRAWN C. ZUÑIGA	08/20/20				

#	DESCRIPTION	QTY	MATERIAL	FINISH
6	COUPLING NUT	1	BRASS	CuSnZn Alloy
5	PRESS CAP	1	BRASS	CuSnZn Alloy
4	GASKET	1	SILICONE	RED
3	PIN	1	BRASS	SILVER
2	INSULATOR	1	PTFE	NATURAL
1	BODY	1	BRASS	CuSnZn Alloy