

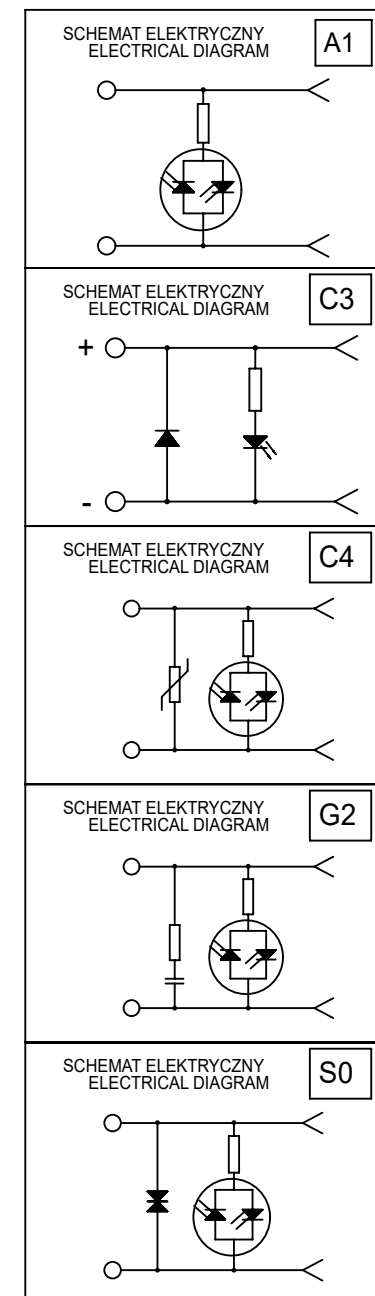
A 0 3 X X X

MOLEX PN	MPM PN
1210010091	A03C42
1210010098	A03C4H
1210010099	A03C4L
1210010100	A03C4M

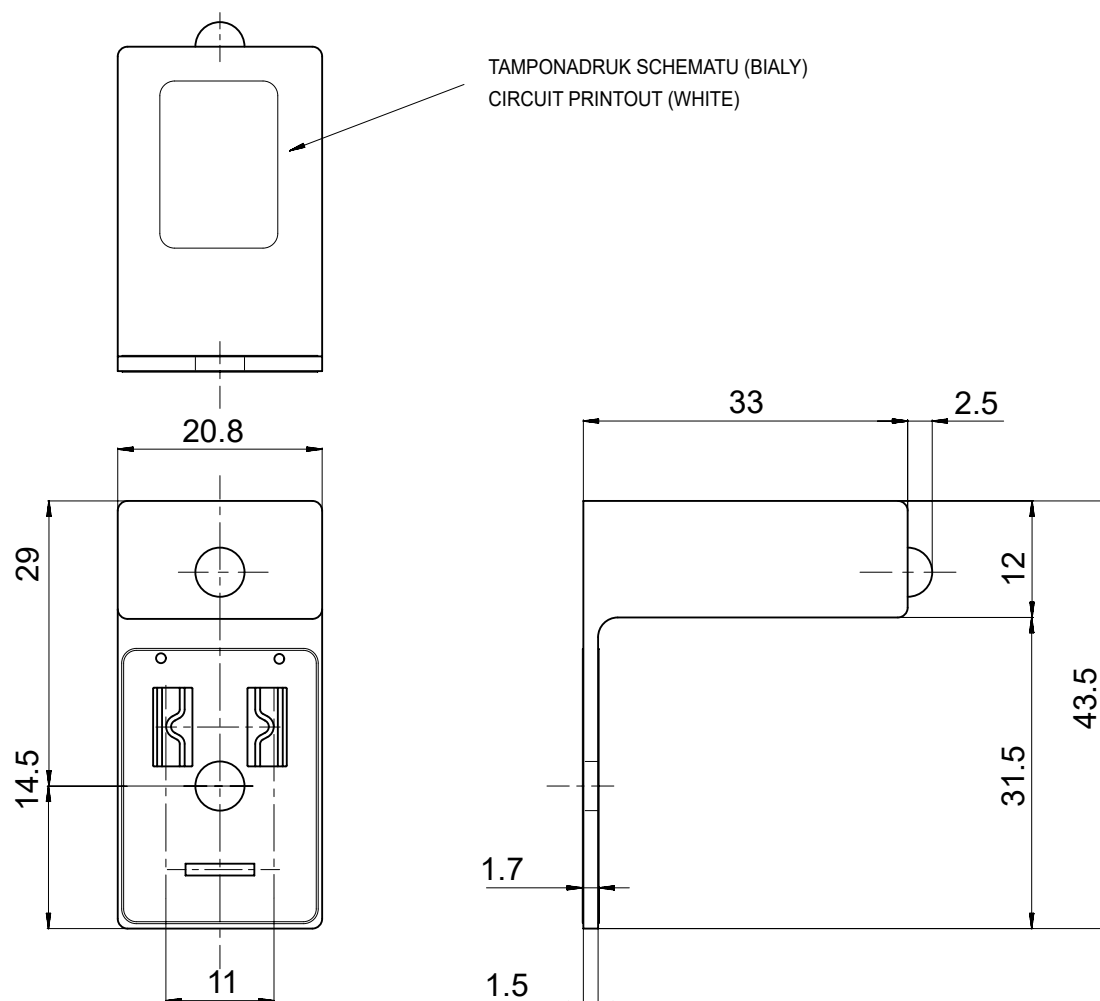
RODZAJ POLACZENIA/INTERNAL CIRCUIT
 PATRZ SCHEMATY POLACZEN/WIREING CONFIGURATION
 NAPIECIE ORAZ KOLOR DIODY/VOLTAGE AND LED COLOUR:

- | | | | | | |
|--|-----------------------------|--|------------------------------|--|-----------------------------|
| 1= 12V
2= 24V
3= 48V
4= 115V
5= 230V | } CZERWONA DIODA
RED LED | A= 12V
B= 24V
C= 48V
D= 115V
E= 230V | } ZIELONA DIODA
GREEN LED | G= 12V
H= 24V
K= 48V
L= 115V
M= 230V | } ZOLTA DIODA
YELLOW LED |
|--|-----------------------------|--|------------------------------|--|-----------------------------|

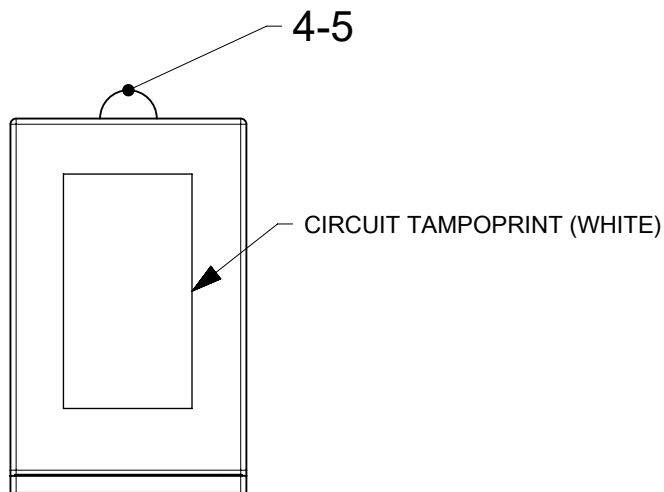
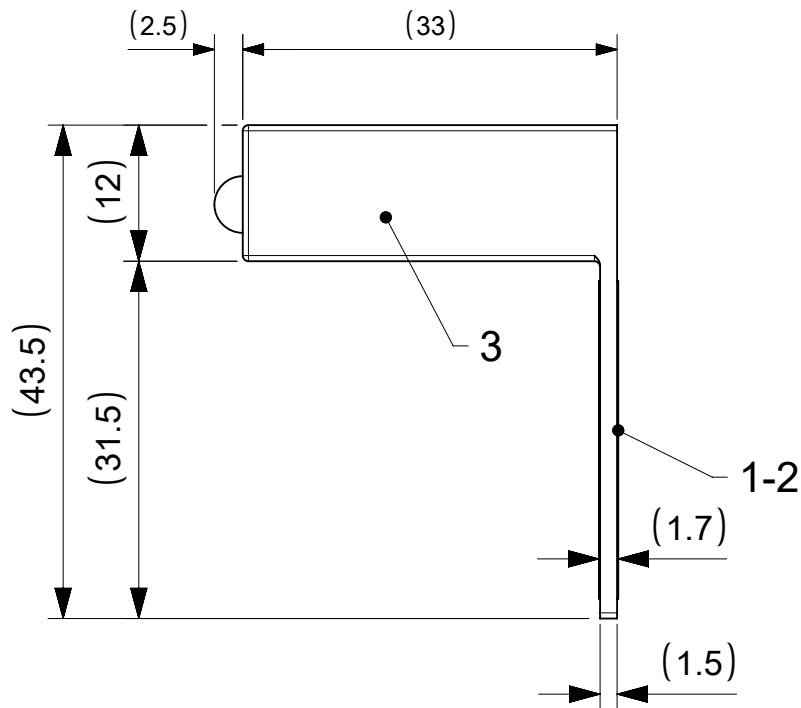
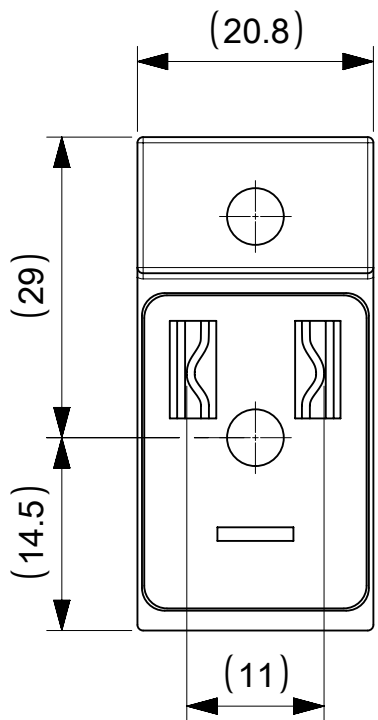
SCHEMATY POLACZEN
 /WIREING CONFIGURATION



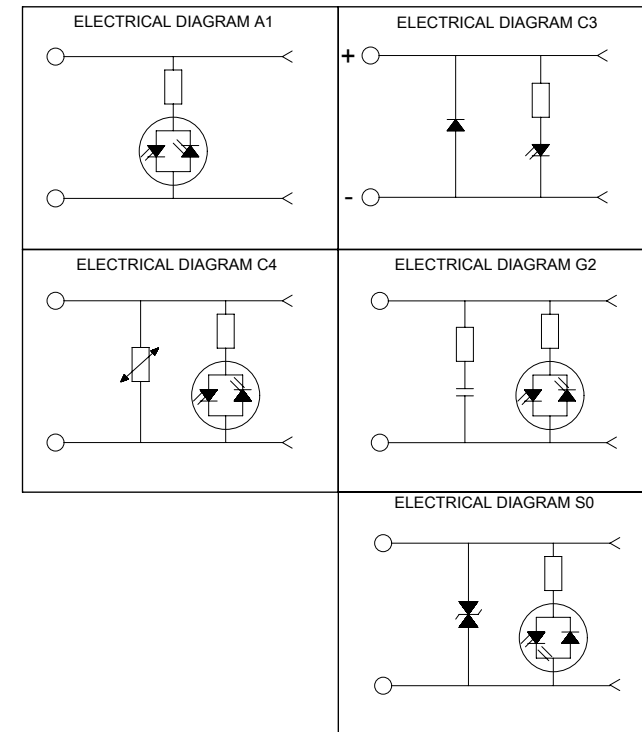
TAMPONADRUK SCHEMATU (BIALY)
 CIRCUIT PRINTOUT (WHITE)



THIS DRAWING CONTAINS INFORMATION THAT IS PROPRIETARY TO MOLEX ELECTRONIC TECHNOLOGIES, LLC AND SHOULD NOT BE USED WITHOUT WRITTEN PERMISSION											
DIMENSION UNITS		SCALE		CURRENT REV DESC: REMOVED OBSOLETE PART NUMBERS AS P[ER PCN#511691							
MM		NTS									
GENERAL TOLERANCES (UNLESS SPECIFIED)											
				MPM A03 ADAPTORS PRODUCT CUSTOMER DRAWING							
4 PLACES		±									
3 PLACES		±									
2 PLACES		±									
1 PLACE		±		EC NO: 737858				2023/02/08			
0 PLACES		±		DRWN: MLEVYTSKYY				2009/05/05			
ANGULAR TOL		± °		APP: MWOLSZCZAK				2009/05/05			
DRAFT WHERE APPLICABLE MUST REMAIN WITHIN DIMENSIONS				THIRD ANGLE PROJECTION		DRAWING		SERIES		MATERIAL NUMBER	
						A3-SIZE		121001		SEE DRAWING	
						GENERAL MARKET		CUSTOMER		SHEET NUMBER	
								1 OF 1			



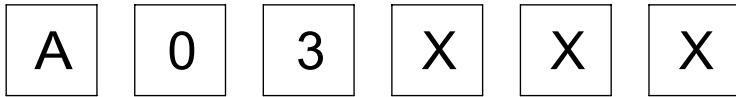
WIRING CONFIGURATION



THIS DRAWING CONTAINS INFORMATION THAT IS PROPRIETARY TO MOLEX ELECTRONIC TECHNOLOGIES, LLC AND SHOULD NOT BE USED WITHOUT WRITTEN PERMISSION									
DIMENSION UNITS	SCALE	CURRENT REV DESC: REMOVED OBSOLETE PART NUMBER AS PER PCN#511691.							
mm	1:1	<div style="text-align: center;">molex</div> <p>A03XXX ADAPTORS SERIES A03XXX FOR DIN INDUSTRIAL</p> <p>PRODUCT CUSTOMER DRAWING</p>							
GENERAL TOLERANCES (UNLESS SPECIFIED)									
ANGULAR TOL	± °	EC NO: 737858		2023/02/10		DOCUMENT NUMBER		DOC TYPE	REVISION
4 PLACES	±	DRWN: SANTHN		2023/02/24		SD-121001-003		PSD	001
3 PLACES	±	CHK'D: GGA		2023/02/24		MATERIAL NUMBER		CUSTOMER	SHEET NUMBER
2 PLACES	±	APPR: GGA		2023/02/24		SEE PART LIST		GENERAL MARKET	1 OF 2
1 PLACE	±	INITIAL REVISION:		2013/02/08		SERIES		A4-SIZE	
0 PLACES	±	DRWN: JMARSZALEK		2013/02/12		121001		THIRD ANGLE PROJECTION	
DRAFT WHERE APPLICABLE MUST REMAIN WITHIN DIMENSIONS		APPR: MIWASIECZKO		DRAWING		CUSTOMER		SERIES	

DOCUMENT STATUS	P1	RELEASE DATE	2023/02/24	09:13:38
-----------------	----	--------------	------------	----------

PART No MATRIX



INTERNAL CIRCUIT

VOLTAGE AND LED COLOR

1= 12V	A= 12V	G= 12V
2= 24V	B= 24V	H= 24V
3= 48V	C= 48V	K= 48V
4= 115V	D= 115V	L= 115V
5= 230V	E= 230V	M= 230V

RED LED GREEN LED YELLOW LED

PART LIST


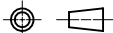
MOLEX PN	ENG. NO	CIRCUIT TYPE	LED COLOR
1210010091	A03C42	C4 24V	RED
1210010098	A03C4H	C4 24V	YELLOW
1210010099	A03C4L	C4 115V	YELLOW
1210010100	A03C4M	C4 230V	YELLOW

BOM

ITEM	QTY	DESCRIPTION	MATERIAL	FINISH/COLOR
5	1	DISTANZIALE LED	-	-
4	1	PCB WITH COMPONENT	-	SEE PART LIST
3	1	CORPO STAMPATO	-	BLACK
2	-	EPOXY ER2188K5K	-	BLACK
1	-	EPOXY ER2188B	-	BLACK

DOCUMENT STATUS	P1	RELEASE DATE	2023/02/24	09:13:38
-----------------	----	--------------	------------	----------

THIS DRAWING CONTAINS INFORMATION THAT IS PROPRIETARY TO MOLEX ELECTRONIC TECHNOLOGIES, LLC AND SHOULD NOT BE USED WITHOUT WRITTEN PERMISSION

DIMENSION UNITS	SCALE	CURRENT REV DESC: REMOVED OBSOLETE PART NUMBER AS PER PCN#511691.		
mm	1:1	 A03XXX ADAPTORS SERIES A03XXX FOR DIN INDUSTRIAL PRODUCT CUSTOMER DRAWING		
GENERAL TOLERANCES (UNLESS SPECIFIED)				
ANGULAR TOL	± °			
4 PLACES	±			
3 PLACES	±			
2 PLACES	±	EC NO: 737858	2023/02/10	
1 PLACE	±	DRWN: SANTHN	2023/02/24	
0 PLACES	±	CHK'D: GGA	2023/02/24	
DRAFT WHERE APPLICABLE MUST REMAIN WITHIN DIMENSIONS		APPR: GGA	2023/02/24	
THIRD ANGLE PROJECTION		INITIAL REVISION:		DOCUMENT NUMBER
		DRWN: JMARSZALEK		SD-121001-003
DRAWING		APPR: MIWASIECZKO		DOC TYPE
A4-SIZE		2023/02/12		PSD
SERIES		MATERIAL NUMBER		DOC PART
121001		SEE PART LIST		001
CUSTOMER		SHEET NUMBER		REVISION
GENERAL MARKET		2 OF 2		A2