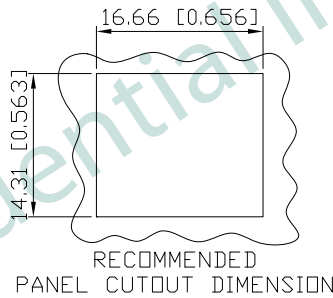
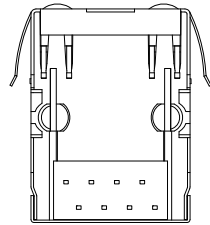
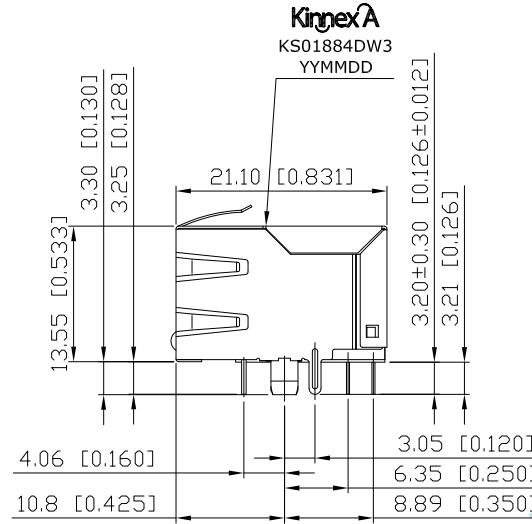
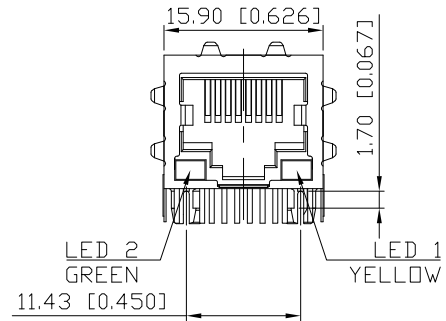


1. MECHANICAL DIMENSIONS :

REV.	DATE	DESCRIPTION
01	Mar. 07, '19	1st RELEASE

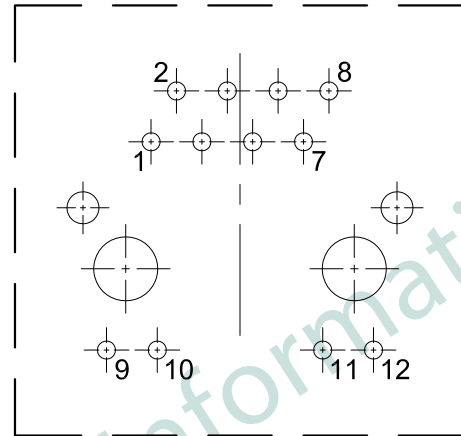
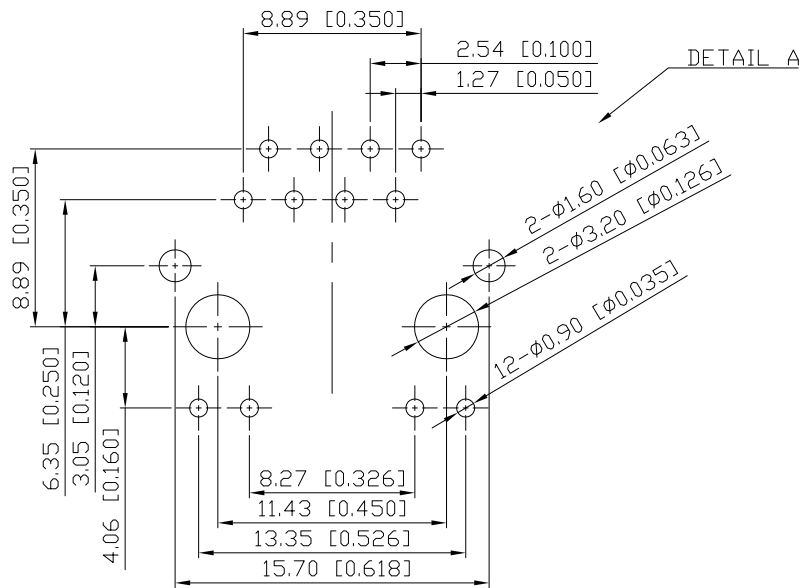


NOTES:

- MATERIAL:
HOUSING: HIGH THERMOPLASTIC, UL94V-0, BLACK
CONTACTS: T=0.35mm PHOS-BRONZE,
50u" GOLD PLATING ON CONTACT AREA,
NICKEL UNDERPLATING OVERALL
SHIELD: T=0.20mm COPPER ALLOY, NICKEL PLATING
- OPERATING TEMPERATURE: -40°C~+85°C
- INSERTION FORCE: 4 POUNDS MAX.
EXTRACTION FORCE: 4 POUNDS MAX.
- DURABILITY: 750 MATING CYCLED MIN.
- CAVITY CONFORMS TO FCC RULES AND REGULATIONS PART 68, SUBPART F.
- UNSPECIFIED TOLERANCE: .XX ±0.25[0.010]
.X ±0.30[0.012]

PART NO		KRK-S-01-8-8-4-DW3-XXX		
TITLE	RJ45 8P8C, W/LED, SHIELDED			
REV : 01				
UNIT	DRAWN	CHKD	DATE	SHEET
mm[inch]	CINDY	VINCENT	Mar. 07, '19	1 of 4

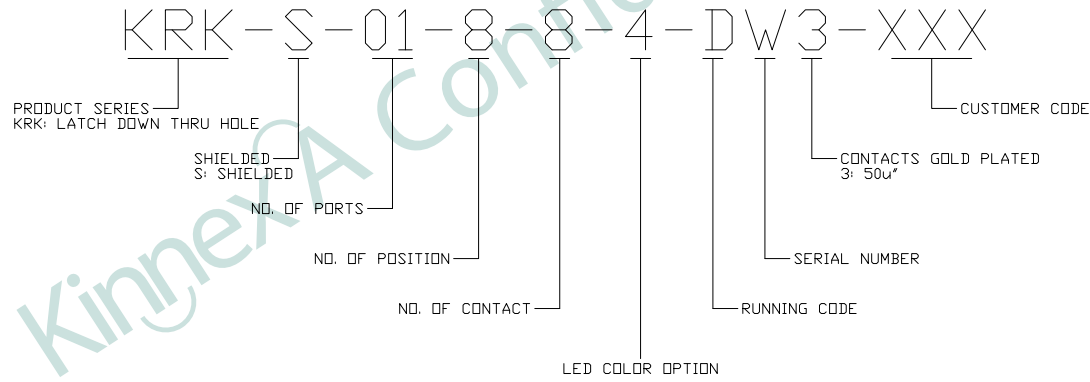
2. PCB LAYOUT :



SUGGESTED PCB LAYOUT

(TOP VIEW) SCALE 2:1

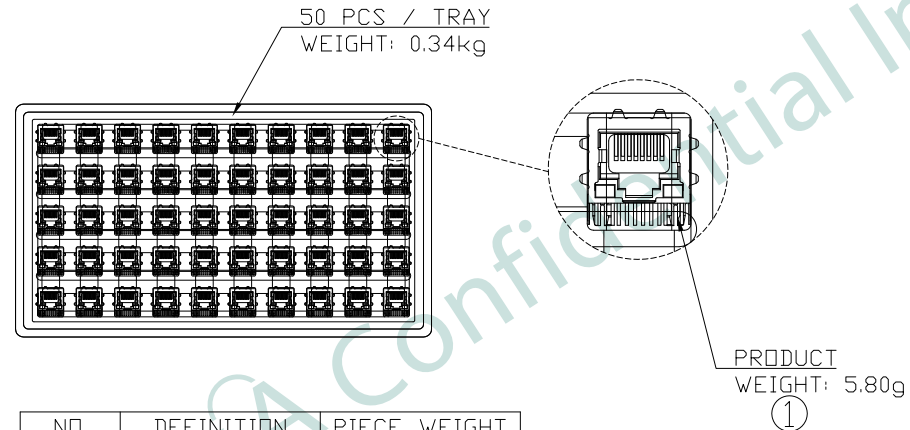
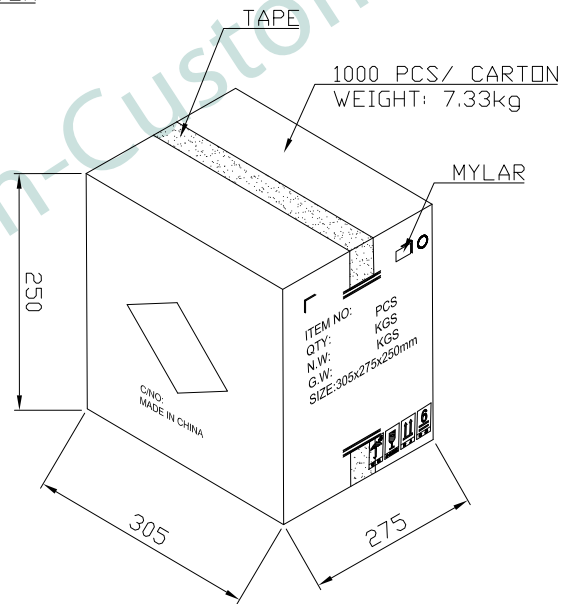
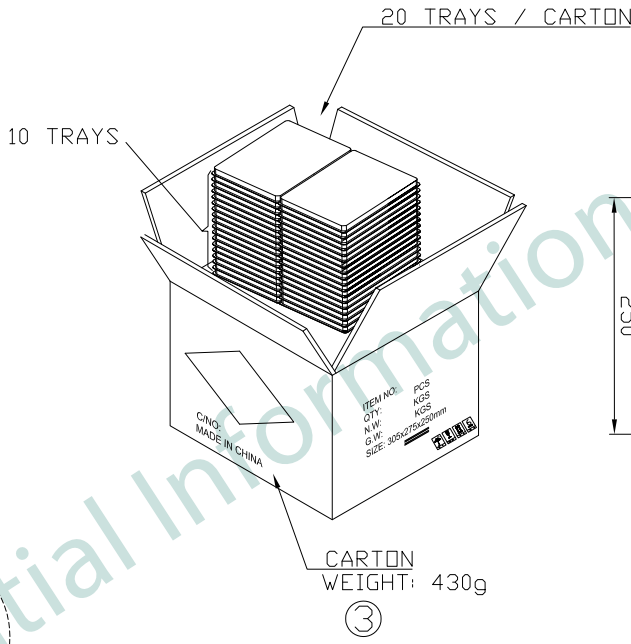
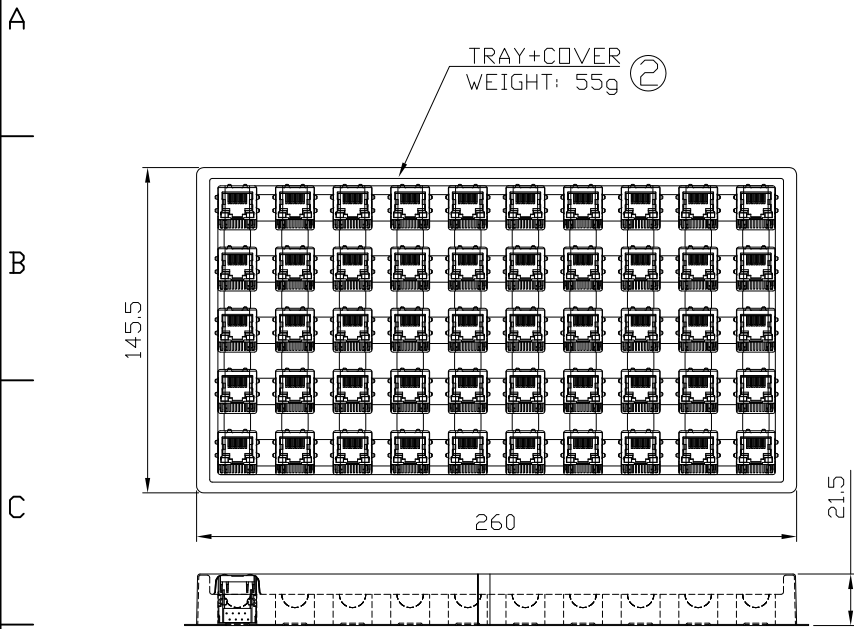
DIMENSIONAL TOLERANCE: .XX ±0.08[0.003]



COLOR	VF(V) @20mA		IV(mcd) @20mA		PEAK WAVE LENGTH λP(nm) @20mA
	TYP	MAX	TYP	TYP	TYP
GREEN	2.2	2.6	10	20	570
YELLOW	2.2	2.6	15	20	588

PART NO		KRK-S-01-8-8-4-DW3-XXX			
TITLE	RJ45 8P8C, W/LED, SHIELDED				
REV : 01					
UNIT	DRAWN	CHKD	DATE	SHEET	
mm[inch]	CINDY	VINCENT	Mar. 07, '19	2 of 4	

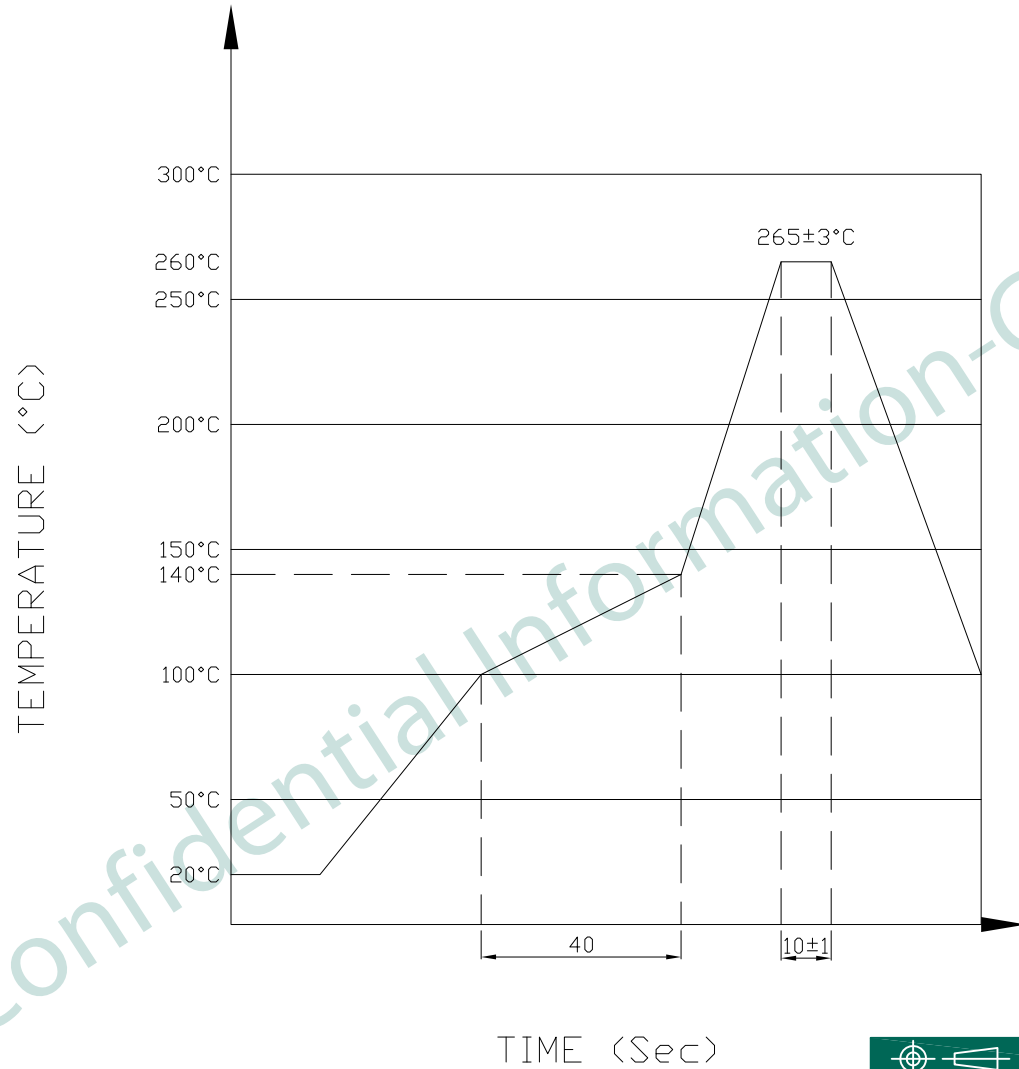
3. MECHANICAL DIMENSIONS :



NO.	DEFINITION	PIECE WEIGHT
1	PRODUCT	5.80g
2	TRAY&COVER	55g
3	CARTON	430g

PART NO		KRK-S-01-8-8-4-DW3-XXX		
TITLE	RJ45 8P8C, W/LED, SHIELDED			
REV : 01				
UNIT	DRAWN	CHKD	DATE	SHEET
mm[inch]	CINDY	VINCENT	Mar. 07, '19	3 of 4

4. PROFILE OF WAVE SOLDER :



The measuring point for the specified temperature shall be on the soldered part of the lead

PART NO		KRK-S-01-8-8-4-DW3-XXX		
TITLE	RJ45 8P8C, W/LED, SHIELDED			
REV : 01				
UNIT	DRAWN	CHKD	DATE	SHEET
mm[inch]	CINDY	VINCENT	Mar. 07, '19	4 of 4