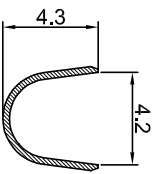


CONTACT ORIENTATION ON ROLL

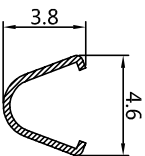
NOTES : (UNLESS OTHERWISE SPECIFIED)

1. MATERIAL :
 - 1.1. CONTACT BODY : COPPER ALLOY.
 - 1.2. OUTER SPRING : STAINLESS STEEL.
2. SPECIFICATIONS :
 - 2.1 CURRENT RATING : 23A MAX.
 - 2.2 TERMINATION TYPE : CRIMPING.
 - 2.3 WIRE RANGE : 14~12AWG.
 - 2.4 WIRE INSULATION DIA(MAX) : ϕ 4.3mm.
3. ROHS COMPLIANT.
4. ALL DIMENSIONS ARE FOR REFERENCE USE ONLY.

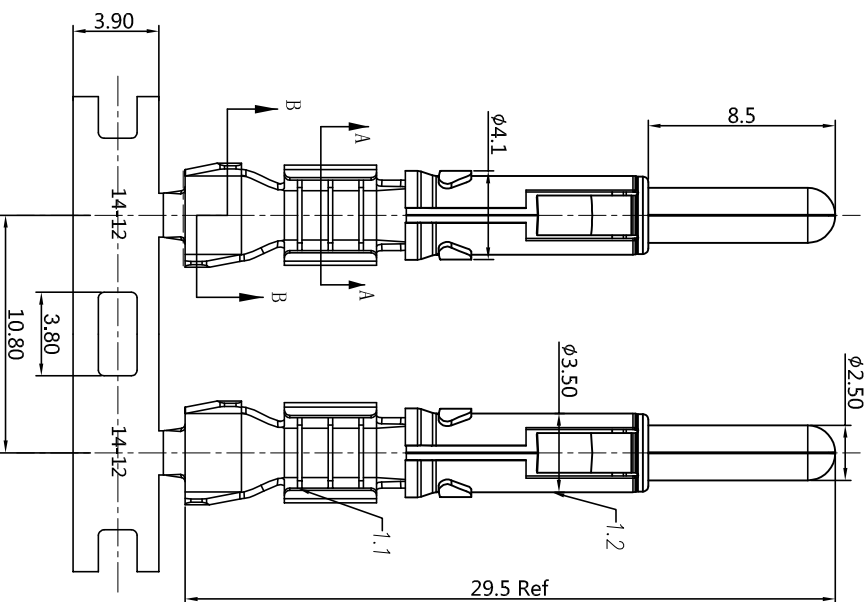
| | |
|-----------|-------------------------------------|
| P/N | CONTACT PLATING(MATING AREA) |
| SP12A1T | TIN PLATING OVER NICKEL. |
| SP12A1F | GOLD FLASH PLATING OVER NICKEL. |
| SP12A1G10 | 10 μ "GOLD PLATING OVER NICKEL. |
| SP12A1G15 | 15 μ "GOLD PLATING OVER NICKEL. |
| SP12A1G30 | 30 μ "GOLD PLATING OVER NICKEL. |



SECTION B-B



SECTION A-A



| REVISONS | | | | | |
|----------|-----|------------------|-------------|-------|-------|
| REV | ECO | DESCRIPTION | DATE | BY | APPR |
| B1 | - | RELEASED DRAWING | JAN-18-2014 | ARROW | TOMMY |
| B2 | - | UPDATE DRAWING | NOV-09-2016 | FLAN | TOMMY |

| QUANTITY | PART NUMBER | DESCRIPTION | ITEM |
|----------|-------------|-------------|------|
| | | | |

| MATERIALS LIST | | | |
|---|-----------------|-------------|--|
| UNLESS OTHERWISE SPECIFIED | SIGNATURES | DATE | |
| 1) All dimensions are in millimeters. 2) Tolerances are as follows: 1 PL, DEC 20, 30 Fractions, 1/164 3 PL, DEC 20, 30 Angles, 1/164 3) Note reference = Δ | DRAWN: FLN | NOV-09-2016 | |
| | CHECKED: TDD | NOV-09-2016 | |
| | ENGINEER: TOMMY | | |
| | APPROVAL: TOMMY | NOV-09-2016 | |
| MATERIAL SPECIFICATIONS: | CUSTOMER: TOMMY | | |

| PROCESS SPECIFICATIONS: | | | |
|--|------|--------|--------|
| NEXT ASSY: | | | |
| THE DRAWING IS SUBJECT TO THE FOLLOWING SPECIFICATIONS AND PERFORMANCE DATA: 1. THE MATERIAL SPECIFICATION NO. MUST BE THE MATERIAL SPECIFICATION NO. FROM THE MANUFACTURING LABEL. ALL MANUFACTURING VARIATIONS SHALL BE AS SHOWN. | | | |
| SCALE: | NONE | SHEET: | 1 OF 1 |

Amphenol
 Site Systems - www.amphenol-site.com
 44724 Morley Drive
 Clinton Township, MI 48036

ECO-MATE PIN CONTACT,
 STAMPED, 14-12AWG, 2.5mm CONTACT

| | | | |
|----------|----------|------|----|
| SIZE | B | TYPE | C- |
| DWG NO | SP12A1XX | | |
| REVISION | B2 | | |