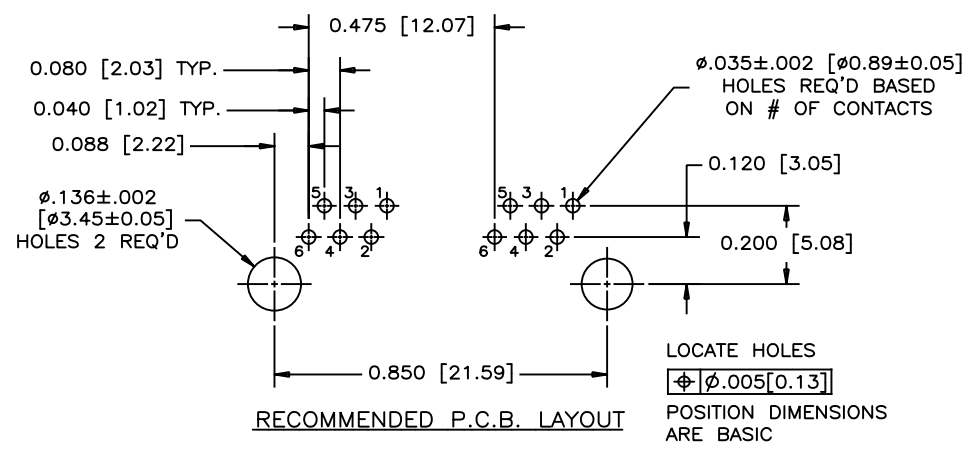
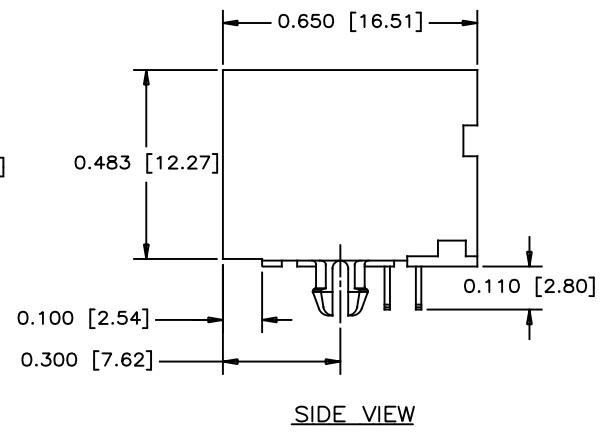
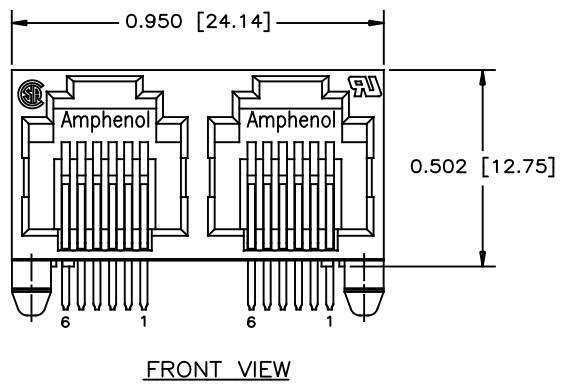


| REV | DESCRIPTION, ECN, EAR NO. | DATE | APP'D |
|-----|---------------------------|----------|----------|
| A | PROPOSAL DRAWING | MAR15/21 | KELVIN.T |



MATERIALS:

PLASTIC HOUSING: HIGH TEMPERATURE RESISTANT NYLON
 UL FLAMMABILITY RATING 94V-0.
 COLOR: BLACK

CONTACTS: PHOSPHOR BRONZE

CONTACT PLATING: GOLD PLATED REFER TO PART NUMBER
 ON MATING SURFACES
 50 MICROINCHES [1.27 MICRONS] MIN NICKEL OVERALL
 100 MICROINCHES [2.54 MICRONS] MATTE-TIN
 ON CONTACT TAILS.

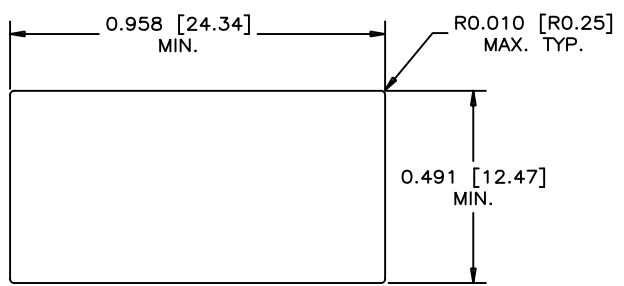
PART NUMBER: RJE01-XX0-02

GOLD PLATING

1 = 6 μ "
 6 = 50 μ "
 G = 15 μ "
 J = 30 μ "

CONTACTS:

2 = 2 CONTACTS LOADED IN POSITION 3 & 4.
 4 = 4 CONTACTS LOADED IN POSITION 2 TO 5.
 6 = 6 CONTACTS LOADED IN POSITION 1 TO 6.



| | | | | | |
|----------------------------|----------------|------------------------|----------------------|---|--------------|
| UNLESS SPECIFIED OTHERWISE | | DRAWN STEVE.X | MAR15/21 | Amphenol Canada Corp. Commercial Products | |
| PRIMARY UNITS INCHES | CHECKED L.CHAN | MAR15/21 | | | |
| SECONDARY MILLIMETERS | M.E. APP'D | | | MODULAR JACK, 2 PORT, 6 POSITION, CONTACTS OPTION, WITHOUT SHIELD -RoHS COMPLIANT | |
| REFERENCE IN PARENTHESES | Q.A. APP'D | | | | |
| GENERAL TOLERANCES | | DWG APP'D | | DWG NO. P-RJE01-XX0-02 | |
| 1 DECIMAL PLACE | ±0.025 | ENG. REL. NO. | | | |
| 2 DECIMAL PLACES | ±0.02 | REF. | | REVISION A | |
| 3 DECIMAL PLACES | ±0.015 | THIRD ANGLE PROJECTION | DO NOT SCALE DRAWING | | |
| ANGULAR DEGREES | ±1° | | | CODE ID NO. 03554 | DWG SIZE C |
| | | | | SCALE NA | SHEET 1 OF 1 |

THIS DOCUMENT CONTAINS PROPRIETARY INFORMATION AND SUCH INFORMATION MAY NOT BE DISCLOSED TO OTHERS FOR ANY PURPOSE OR USED FOR MANUFACTURING PURPOSES WITHOUT WRITTEN PERMISSION FROM AMPHENOL CANADA CORP.