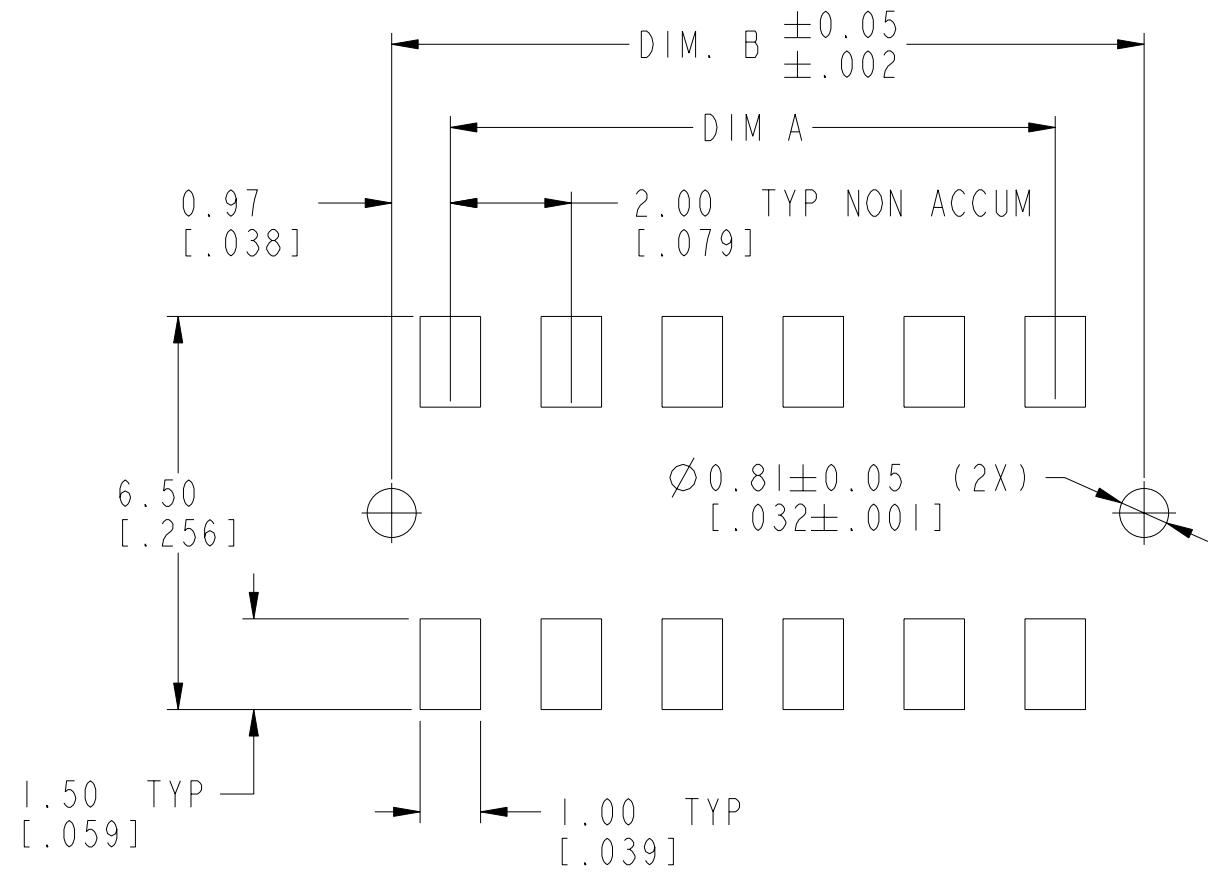


CONFIDENTIAL

www.fciconnect.com				surface - ✓ ISO 1302	tolerance std ISO 406 ISO 1101	projection MM / INCH
				TOLERANCES UNLESS OTHERWISE SPECIFIED		size A3
Dr	BS LOW	2000-01-06	ANGULAR	x.xx/.xx	±0.3/.01	Scale 10:1
Eng	BS LOW	2000-01-06	LINEAR	x.xx/.xxx	±0.13/.005	ECN S10-0136
Chr	KH LEE	2010-06-28	0° ±2°	x.xxx/.xxxx	±0.051/.0020	Spec ref -
Appr	JOEY NG	2010-06-28	Product family LPVCC			
rev			title			Rev.
ecn no			LOW PROFILE VCC SMT 3.00 ASSY			92911
dr			WITH 0.46/.018 LOCATING FEATURES			P
date			catalog no			sheet 1 of 3
K	S40325	BSL	1994-12-20			
L	S80115	BSL	1998-05-14			
M	V94400	BSL	1999-12-01			
N	S05-0064	KBM	2005-03-01			
P	S10-0136	NBR	2010-06-28			
-	-	-	-			
-	-	-	-			

PRODUCT NO	POSITIONS	DIM. A	DIM. B
92911-X04	2 X 2	2.00/.079	3.92/.154
-X06	2 X 3	4.00/.158	5.92/.233
-X08	2 X 4	6.00/.236	7.92/.312
-X10	2 X 5	8.00/.315	9.92/.391
-X12	2 X 6	10.00/.394	11.92/.469
-X14	2 X 7	12.00/.472	13.92/.548
-X16	2 X 8	14.00/.551	15.92/.627
-X18	2 X 9	16.00/.630	17.92/.706
-X20	2 X 10	18.00/.709	19.92/.784
-X22	2 X 11	20.00/.787	21.92/.863
-X24	2 X 12	22.00/.866	23.92/.942
-X26	2 X 13	24.00/.945	25.92/1.020
-X28	2 X 14	26.00/1.024	27.92/1.099
-X30	2 X 15	28.00/1.102	29.92/1.178

PLATING OPTIONS OVER CONTACT AREA
0 = 0.2μ/8μ" Au
1 = 0.76μ/30μ" Au
3 = 0.38μ/15μ" Au



RECOMMENDED PAD LAYOUT

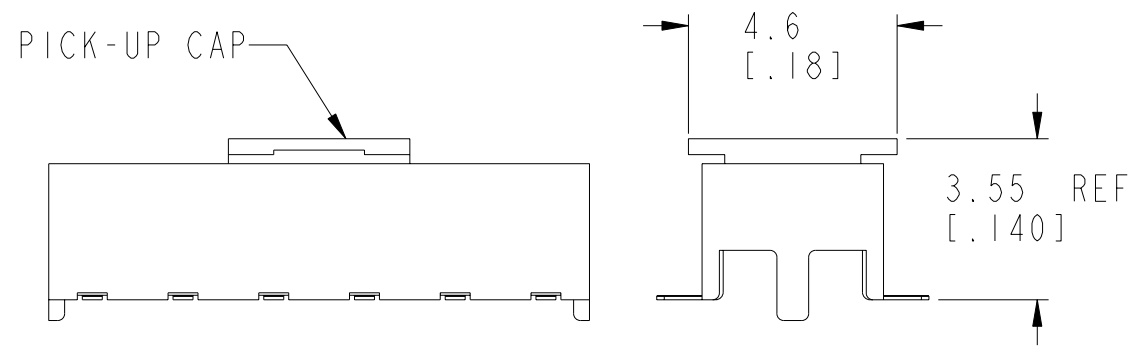


FIG. 1
SEE NOTE 7 (b) & (d)

www.fciconnect.com		surface - ✓ ISO 1302	tolerance std ISO 406 ISO 1101	projection MM / INCH
		TOLERANCES UNLESS OTHERWISE SPECIFIED		Scale 10:1
Dr	BS LOW	2000-01-06	ANGULAR	size A3
Eng	BS LOW	2000-01-06	LINEAR	ECN S10-0136
Chr	KH LEE	2010-06-28	0° ±2°	Spec ref -
Appr	JOEY NG	2010-06-28	Product family LPVCC	
		LOW PROFILE VCC SMT 3.00 ASSY WITH 0.46/.018 LOCATING FEATURES		Rev. P sheet 2 of 3
catalog no		-		CUSTOMER 92911

CONFIDENTIAL

NOTES:

1 HOUSING MATERIAL : HIGH TEMP PLASTIC

2 TERMINAL MATERIAL : BeCu.

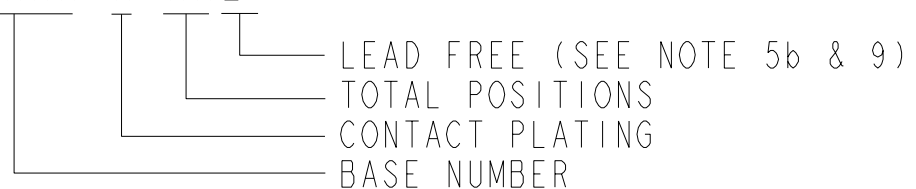
3 TERMINAL RETENTION 0.5Kg/1.1 Lbs.

④ 'V' CUT OPTIONAL - MANUFACTURING PROCESS OPTION.

⚠ ⑤ SOLDER TAIL PLATING:
 a) SOLDER TAIL OF P/N: 92911 - XXX IS TIN/LEAD PLATED.
 b) SOLDER TAIL OF P/N: 92911 - XXXLF IS GOLD FLASH PLATED.

6 PRODUCT DESCRIPTION CODE:

XXXXX-X XXLF



⑦ PACKAGING :
 (a) XXXXX-XXX --- STD PACKAGING IN TUBE.
 (b) XXXXX-XXXTR --- TAPE AND REEL (CONDUCTIVE) PACKAGING WITH PICK-UP CAP (SEE FIG 1).
 (c) XXXXX-XXXTRN --- TAPE AND REEL (CONDUCTIVE) PACKAGING WITHOUT PICK-UP CAP.
 (d) XXXXX-XXXCR --- TAPE AND REEL (NON-CONDUCTIVE) PACKAGING WITH PICK-UP CAP (SEE FIG 1).
 (e) XXXXX-XXXCRN --- TAPE AND REEL (NON-CONDUCTIVE) PACKAGING WITHOUT PICK-UP CAP.

8 THE HOUSING WILL WITHSTAND EXPOSURE TO 255°C PEAK TEMPERATURE FOR 10 SECONDS IN A CONVECTION, INFRA-RED OR VAPOR PHASE REFLOW OVEN.

⑨ THIS PRODUCT MEETS EUROPEAN UNION DIRECTIVES AND OTHER COUNTRY REGULATIONS AS DESCRIBED IN GS-22-008.

⚠ ⑩ A ⚠ SYMBOL WILL BE NEXT TO ANY DIMENSION, VIEW OR NOTE WHICH HAS BEEN MODIFIED WITH THE CURRENT DRAWING REVISION.

CONFIDENTIAL

www.fciconnect.com			surface - ✓ ISO 1302	tolerance std ISO 406 ISO 1101	projection MM / INCH
			TOLERANCES UNLESS OTHERWISE SPECIFIED		← →
Dr	BS LOW	2000-01-06	ANGULAR	X.X/.XX ±0.3/.01	size A3 Scale 10:1
Eng	BS LOW	2000-01-06	LINEAR	X.XX/.XXX ±0.13/.005	
Chr	KH LEE	2010-06-28	0° ±2°	X.XXX/.XXXX ±0.051/.0020	ECN S10-0136
Appr	JOEY NG	2010-06-28	Product family	LPVCC	Spec ref -
FCI		Title		Rev.	
		LOW PROFILE VCC SMT 3.00 ASSY		92911	
		WITH 0.46/.018 LOCATING FEATURES		P	
		catalog no		CUSTOMER sheet 3 of 3	