

### Brief Description

The ZSPM4012B is a DC/DC synchronous switching regulator with fully integrated power switches, internal compensation, and full fault protection. The 1MHz switching frequency enables using small filter components, resulting in reduced board space and reduced bill-of-materials costs.

The ZSPM4012B utilizes current mode feedback in normal regulation pulse-width modulation (PWM) mode. When the regulator is disabled (EN pin is low), the ZSPM4012B draws less than 10µA quiescent current.

The ZSPM4012B integrates a wide range of protection circuitry, including input supply under-voltage lockout, output voltage soft start, current limit, V<sub>OUT</sub> over-voltage, and thermal shutdown. The ZSPM4012B includes supervisory reporting through the PG (Power Good) open drain output to interface other components in the system.

### Features

- Output voltage options (depends on order code):
  - Fixed output voltages: 1.5V, 1.8V, 2.5V, 3.3V, or 5V with +/- 2% output tolerance
  - Adjustable output voltage range: 0.9V to 5.5V with +/- 1.5% reference
- Wide input voltage range: 4.5V to 24V
- 1MHz +/- 10% fixed switching frequency
- 2A continuous output current
- High efficiency – up to 95%
- Current mode PWM control with pulse-frequency modulation (PFM) mode for improved light load efficiency
- Voltage supervisor for V<sub>OUT</sub> reported at the PG pin
- Input supply under voltage lockout
- Soft start for controlled startup with no overshoot
- Full protection for over-current, over-temperature, and V<sub>OUT</sub> over-voltage
- Less than 10µA in Disabled Mode
- Low external component count

### Benefits

- Increased battery life
- Minimal external component count (3 capacitors, 1 inductor)
- Inherent fault protection and reporting

### Available Support

- Evaluation Kit
- Documentation

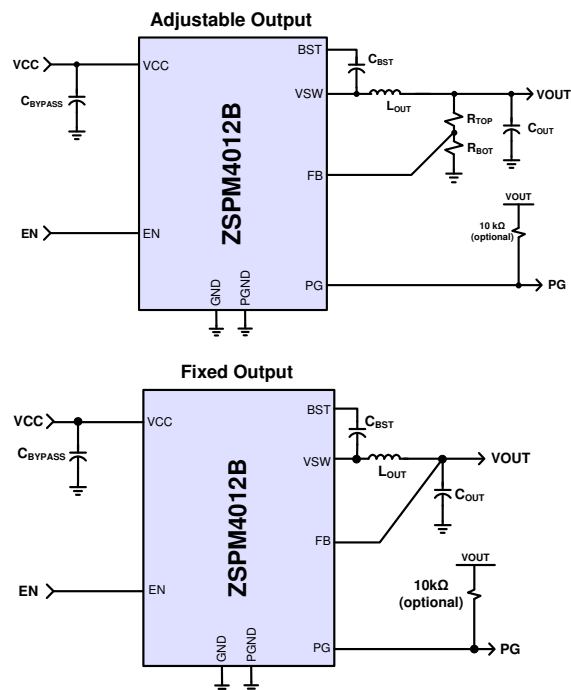
### Physical Characteristics

- Junction operating temperature -40°C to 125°C
- Packaged in a 16pin QFN (3x3mm)

### Related IDT Products

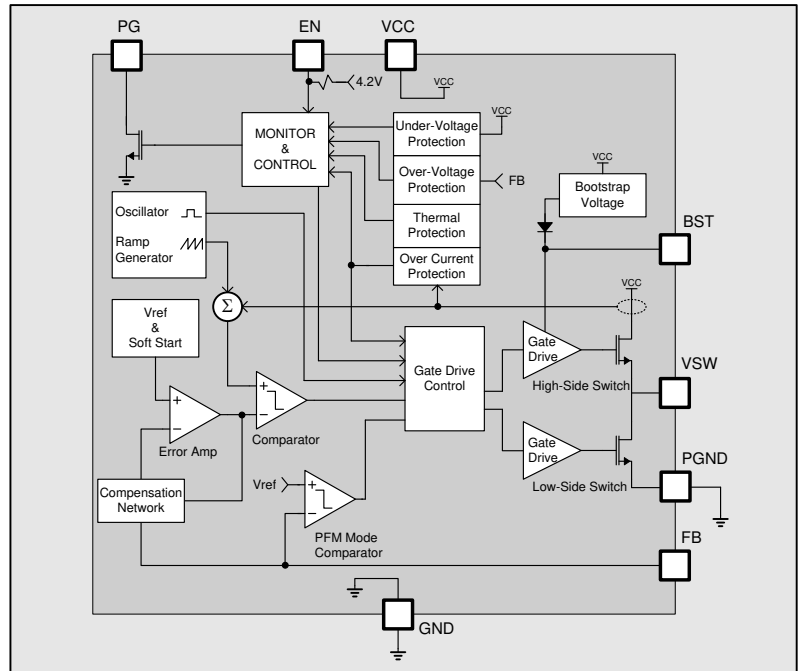
- ZSPM4011B/ZSPM4013B: 1A/3A synchronous buck converters, available with adjustable output from 0.9 to 5.5V or fixed output voltages at 1.5V, 1.8V, 2.5V, 3.3V, 5.0V (16-lead 3x3mm QFN)
- ZSPM1000: >5A single-phase, single-rail, true digital PWM controller (24-pin 4x4mm QFN)

### ZSPM4012B Application Circuits



ZSPM4012B Block Diagram

- Typical Applications**
- Wireless access points, cable modems
  - Set-top boxes
  - DVD, LCD, LED supplies
  - Portable products, including GPS, smart phones, tablet PCs
  - Printers



Ordering Information

Ordering Code	Description	Package
ZSPM4012BA1W00	2A Synchronous Buck Converter: adjustable output, 0.9V to 5.5V, 16-pin 3x3mm QFN	7" reel with 1000 ICs
ZSPM4012BA1W15	2A Synchronous Buck Converter: fixed output, 1.5V, 16-pin 3x3mm QFN	7" reel with 1000 ICs
ZSPM4012BA1W18	2A Synchronous Buck Converter: fixed output, 1.8V, 16-pin 3x3mm QFN	7" reel with 1000 ICs
ZSPM4012BA1W25	2A Synchronous Buck Converter: fixed output, 2.5V, 16-pin 3x3mm QFN	7" reel with 1000 ICs
ZSPM4012BA1W33	2A Synchronous Buck Converter: fixed output, 3.3V, 16-pin 3x3mm QFN	7" reel with 1000 ICs
ZSPM4012BA1W50	2A Synchronous Buck Converter: fixed output, 5.0V, 16-pin 3x3mm QFN	7" reel with 1000 ICs
ZSPM4012BKIT	ZSPM4012B Evaluation Kit for 2A Synchronous Buck Converter	Kit

## Contents

1	ZSPM4012B Characteristics .....	5
1.1.	Absolute Maximum Ratings .....	5
1.2.	Thermal Characteristics .....	5
1.3.	Recommended Operating Conditions .....	6
1.4.	Electrical Characteristics .....	6
1.5.	Regulator Characteristics .....	7
2	Typical Performance Characteristics – ZSPM401x Family .....	9
3	Description of Circuit .....	12
3.1.	Block Diagram .....	12
3.2.	Internal Protection Details .....	13
3.2.1.	Internal Current Limit .....	13
3.2.2.	Thermal Shutdown .....	13
3.2.3.	Voltage Reference Soft-Start .....	13
3.2.4.	VCC Under-Voltage Lockout .....	13
3.2.5.	Output Over-Voltage Protection .....	14
3.2.6.	Output Under-Voltage Monitoring .....	14
4	Application Circuits .....	15
4.1.	Selection of External Components .....	15
4.2.	Typical Application Circuits .....	15
5	Pin Configuration and Package .....	16
5.1.	Marking Diagram & Pin-out .....	17
5.2.	Pin Description for 16 LEAD 3x3mm QFN .....	18
5.3.	Detailed Pin Description .....	19
5.3.1.	Unregulated Input, VCC (Pins # 2, 3) .....	19
5.3.2.	Bootstrap Control, BST (Pin #10) .....	19
5.3.3.	Sense Feedback, FB (Pin #5) .....	19
5.3.4.	Switching Output, VSW (Pins #12, 13) .....	19
5.3.5.	Ground, GND (Pin #4) .....	19
5.3.6.	Power Ground, PGND (Pins #14, 15) .....	19
5.3.7.	Enable, EN (Pin #9) .....	19
5.3.8.	PG Output, PG (Pin #8) .....	19
6	Ordering Information .....	20
7	Related Documents .....	20
8	Glossary .....	20
9	Document Revision History .....	21

## List of Figures

Figure 2.1	Startup Response .....	9
Figure 2.2	100mA to 1A Load Step (VCC= 12V, VOUT =1.8V) .....	9
Figure 2.3	100mA to 2A Load (VCC=12V, VOUT = 1.8V).....	9
Figure 2.4	100mA to 1A Load Step (VCC=12V, VOUT = 3.3V) .....	9
Figure 2.5	100mA to 2A Load Step (VCC=12V, VOUT = 3.3V) .....	9
Figure 2.6	Line Transient Response (VCC=10V to 15V, VOUT = 3.3V).....	9
Figure 2.7	Load Regulation.....	10
Figure 2.8	Line Regulation (I <sub>OUT</sub> =1A).....	10
Figure 2.9	Efficiency vs. Output Current ( VOUT = 1.8V) .....	10
Figure 2.10	Efficiency vs. Output Current (VOUT = 3.3V) .....	10
Figure 2.11	Efficiency vs. Output Current ( VOUT = 5V) .....	10
Figure 2.12	Efficiency vs. Input Voltage (VOUT = 3.3V).....	10
Figure 2.13	Standby Current vs. Input Voltage.....	11
Figure 2.14	Standby Current vs. Temperature .....	11
Figure 2.15	Output Voltage vs. Temperature.....	11
Figure 2.16	Oscillator Frequency vs. Temperature (I <sub>OUT</sub> =300mA) .....	11
Figure 2.17	Quiescent Current vs. Temperature (No load) .....	11
Figure 2.18	Input Current vs. Temperature (No load, No switching) .....	11
Figure 3.1	ZSPM4012B Block Diagram .....	12
Figure 3.2	Monitor and Control Logic Functionality .....	13
Figure 4.1	Typical Application for Adjustable Output Voltage.....	15
Figure 4.2	Typical Application for Fixed Output Voltage.....	15
Figure 5.1	ZSPM4012B Package Drawing .....	16
Figure 5.2	16 Lead 3x3mm QFN (top view).....	17

## List of Tables

Table 1.1	Absolute Maximum Ratings .....	5
Table 1.2	Thermal Characteristics .....	5
Table 1.3	Recommended Operating Conditions .....	6
Table 1.4	Electrical Characteristics .....	6
Table 1.5	Regulator Characteristics .....	7
Table 5.1	Pin Description, 16 lead, 3x3mm QFN .....	18

# 1 ZSPM4012B Characteristics

Important: Stresses beyond those listed under “Absolute Maximum Ratings” (section 1.1) may cause permanent damage to the device. These are stress ratings only. Functional operation of the device at these or any other conditions beyond those indicated under “Recommended Operating Conditions” (section 1.3) is not implied. Exposure to absolute–maximum–rated conditions for extended periods may affect device reliability.

## 1.1. Absolute Maximum Ratings

Over operating free–air temperature range unless otherwise noted.

**Table 1.1 Absolute Maximum Ratings**

Parameter	Value <sup>1)</sup>	UNIT
Voltage on VCC pin	-0.3 to 26.4	V
Voltage on BST pin	-0.3 to (VCC+6)	V
Voltage on VSW pin	-1 to 26.4	V
Voltage on EN, PG, FB pins	-0.3 to 6	V
Electrostatic Discharge – Human Body Model <sup>2)</sup>	+/-2k	V
Electrostatic Discharge – Charge Device Model <sup>2)</sup>	+/-500	V
Lead Temperature (soldering, 10 seconds)	260	°C
<p>1) All voltage values are with respect to network ground terminal.                  2) ESD testing is performed according to the respective JESD22 JEDEC standard.</p>		

## 1.2. Thermal Characteristics

**Table 1.2 Thermal Characteristics**

Parameter	Symbol	Value	Unit
Thermal Resistance Junction to Air <sup>1)</sup>	$\theta_{JA}$	34.5	°C/W
Thermal Resistance Junction to Case <sup>1)</sup>	$\theta_{Jc}$	2.5	°C/W
Storage Temperature Range	$T_{STG}$	-65 to 150	°C
Maximum Junction Temperature	$T_{J\ MAX}$	150	°C
Operating Junction Temperature Range	$T_J$	-40 to 125	°C
<p>1) Assumes 1 in<sup>2</sup> area of 2 oz. copper and 25°C ambient temperature.</p>			

### 1.3. Recommended Operating Conditions

**Table 1.3 Recommended Operating Conditions**

Parameter	Symbol	Min	Typ	Max	Unit
Input Operating Voltage	VCC	4.5	12	24	V
Bootstrap Capacitor	C <sub>BST</sub>	17.6	22	26.4	nF
Output Filter Inductor Typical Value <sup>1)</sup>	L <sub>OUT</sub>	3.76	4.7	5.64	μH
Output Filter Capacitor Typical Value <sup>2)</sup>	C <sub>OUT</sub>	33	44 (2 x 22)		μF
Output Filter Capacitor ESR	C <sub>OUT-ESR</sub>	2	35	100	mΩ
Input Supply Bypass Capacitor Typical Value <sup>3)</sup>	C <sub>BYPASS</sub>	8	10		μF
<p>1) For best performance, an inductor with a saturation current rating higher than the maximum V<sub>OUT</sub> load requirement plus the inductor current ripple.</p> <p>2) For best performance, a low ESR ceramic capacitor should be used.</p> <p>3) For best performance, a low ESR ceramic capacitor should be used. If C<sub>BYPASS</sub> is not a low ESR ceramic capacitor, a 0.1μF ceramic capacitor should be added in parallel to C<sub>BYPASS</sub>.</p>					

### 1.4. Electrical Characteristics

Electrical Characteristics, T<sub>J</sub> = -40°C to 125°C, VCC = 12V (unless otherwise noted)

**Table 1.4 Electrical Characteristics**

Parameter	Symbol	Condition	Min	Typ	Max	Unit
<b>VCC Supply Voltage</b>						
Input Supply Voltage	VCC		4.5		24	V
Quiescent Current: Normal Mode	I <sub>CC-NORM</sub>	VCC = 12V, I <sub>LOAD</sub> = 0A, EN ≥ 2.2		5.2		mA
Quiescent Current: Normal Mode, Non-switching	I <sub>CC-NOSWITCH</sub>	VCC=12V, I <sub>LOAD</sub> =0A, EN ≥ 2.2 Non-switching		2.3		mA
Quiescent Current: Disabled Mode	I <sub>CC-DISABLE</sub>	VCC = 12V, EN = 0V		5	10	μA
<b>VCC Under Voltage Lockout</b>						
Input Supply Under Voltage Threshold	VCC-UV	VCC Increasing	4.1	4.3	4.5	V
Input Supply Under Voltage Threshold Hysteresis	VCC-UV_HYST		300	325	350	mV
<b>Oscillator</b>						
Oscillator Frequency	f <sub>OSC</sub>		0.9	1	1.1	MHz

Parameter	Symbol	Condition	Min	Typ	Max	Unit
<b>PG Open Drain Output</b>						
PG Release Timer	$T_{PG}$			10		ms
High-Level Output Leakage	$I_{OH-PG}$	$V_{PG} = 5V$		0.5		$\mu A$
Low-Level Output Voltage	$V_{OL-PG}$	$I_{PG} = -0.3mA$			0.01	V
<b>EN Input Voltage Thresholds</b>						
High Level Input Voltage	$V_{IH-EN}$		2.2			V
Low Level Input Voltage	$V_{IL-EN}$				0.8	V
Input Hysteresis	$V_{HYST-EN}$			480		mV
Input Leakage	$I_{IN-EN}$	$V_{EN}=5V$		3.5		$\mu A$
		$V_{EN}=0V$		-1.5		$\mu A$
<b>Thermal Shutdown</b>						
Thermal Shutdown Junction Temperature	TSD	Note: Guaranteed by design	150	170		$^{\circ}C$
TSD Hysteresis	$TSD_{HYST}$			10		$^{\circ}C$

## 1.5. Regulator Characteristics

Electrical Characteristics,  $T_J = -40^{\circ}C$  to  $125^{\circ}C$ ,  $V_{CC} = 12V$  (unless otherwise noted)

**Table 1.5 Regulator Characteristics**

See important table notes at the end of the table.

Parameter	Symbol	Condition	Min	Typ	Max	Unit
<b>Switch Mode Regulator: <math>L_{OUT}=4.7\mu H</math> and <math>C_{OUT}=2 \times 22\mu F</math></b>						
Output Voltage Tolerance in Pulse-Width Modulation (PWM) Mode	$V_{OUT-PWM}$	$I_{LOAD} = 1A$	$V_{OUT} - 2\%$	$V_{OUT}$	$V_{OUT} + 2\%$	V
Output Voltage Tolerance in Pulse-Frequency Modulation (PFM) Mode	$V_{OUT-PFM}$	$I_{LOAD} = 0A$	$V_{OUT} - 1\%$	$V_{OUT} + 1\%$	$V_{OUT} + 3.5\%$	V
Differential Voltage Between $V_{OUT}$ and $V_{CC}$	$V_{IN-OUT}$	Steady State. (Example, $V_{OUT}$ maximum is 3.3V with $V_{CC}$ min of 4.5V)	1.2			V
High Side Switch On Resistance <sup>1)</sup>	$R_{DSON}$	$I_{VSW} = -1A$		180		$m\Omega$
Low Side Switch On Resistance <sup>1)</sup>		$I_{VSW} = 1A$		120		$m\Omega$
Output Current	$I_{OUT}$				2	A
Over Current Detect	$I_{OCD}$	HS switch current	2.4	2.8	3.4	A

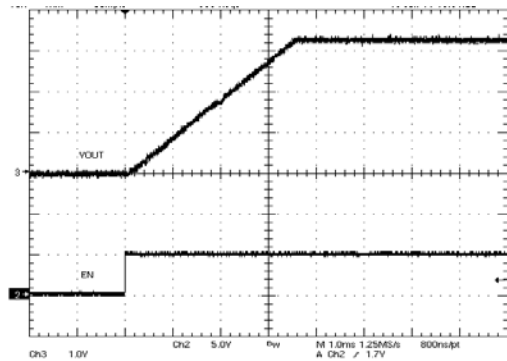
Parameter	Symbol	Condition	Min	Typ	Max	Unit
Feedback Reference (Adjustable Mode)	FB <sub>TH</sub>		0.886	0.9	0.914	V
Soft Start Ramp Time	t <sub>SS</sub>			4		ms
PFM Mode FB Comparator Tolerance	FB <sub>TH-TOL</sub>	For the adjustable version, the ratio of V <sub>CC</sub> /V <sub>OUT</sub> cannot exceed 16.	-1.5		1.5	%
PFM Mode FB Comparator Threshold	FB <sub>TH-PFM</sub>			V <sub>OUT</sub> + 1%		V
V <sub>OUT</sub> Under Voltage Threshold	V <sub>OUT-UV</sub>		88% V <sub>OUT</sub>	90% V <sub>OUT</sub>	92% V <sub>OUT</sub>	
V <sub>OUT</sub> Under Voltage Hysteresis	V <sub>OUT-UV-HYST</sub>			1.5% V <sub>OUT</sub>		
V <sub>OUT</sub> Over Voltage Threshold	V <sub>OUT-OV</sub>			103% V <sub>OUT</sub>		
V <sub>OUT</sub> Over Voltage Hysteresis	V <sub>OUT-OV-HYST</sub>			1% V <sub>OUT</sub>		
Max Duty Cycle <sup>2)</sup>	DUTY <sub>MAX</sub>		95%	97%	99%	
1) R <sub>DS(on)</sub> is characterized at 1A and tested at lower current in production. 2) Regulator VSW pin is forced off for 240ns every 8 cycles to ensure the BST cap is replenished.						



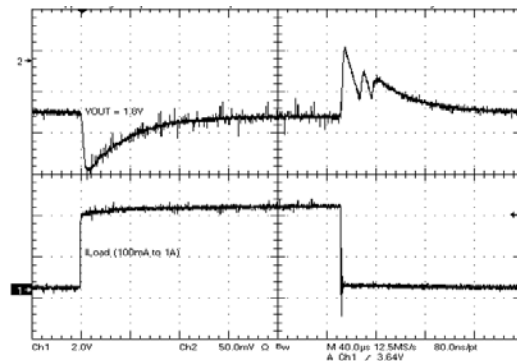
## 2 Typical Performance Characteristics – ZSPM401x Family

Graphs apply to ZSPM401x ICs. See section 1 for ZSPM4012B characteristics. Unless otherwise noted,  $T_J = -40^{\circ}\text{C}$  to  $125^{\circ}\text{C}$ ,  $V_{CC} = 12\text{V}$ .

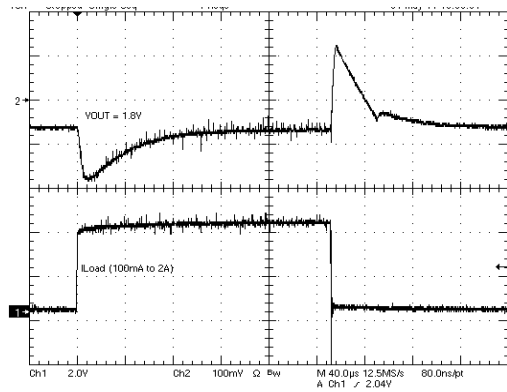
**Figure 2.1 Startup Response**



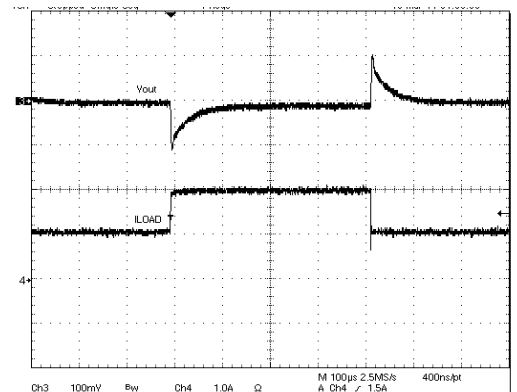
**Figure 2.2 100mA to 1A Load Step ( $V_{CC} = 12\text{V}$ ,  $V_{OUT} = 1.8\text{V}$ )**



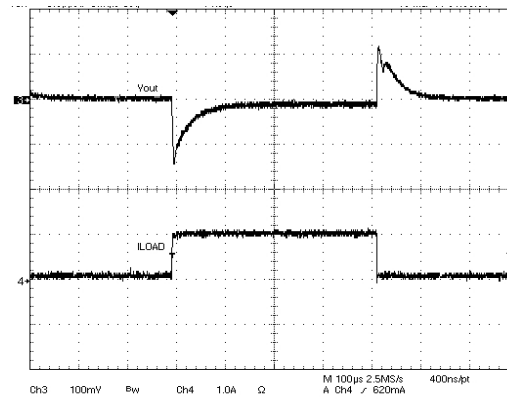
**Figure 2.3 100mA to 2A Load ( $V_{CC} = 12\text{V}$ ,  $V_{OUT} = 1.8\text{V}$ )**



**Figure 2.4 100mA to 1A Load Step ( $V_{CC} = 12\text{V}$ ,  $V_{OUT} = 3.3\text{V}$ )**



**Figure 2.5 100mA to 2A Load Step ( $V_{CC} = 12\text{V}$ ,  $V_{OUT} = 3.3\text{V}$ )**



**Figure 2.6 Line Transient Response ( $V_{CC} = 10\text{V}$  to  $15\text{V}$ ,  $V_{OUT} = 3.3\text{V}$ )**

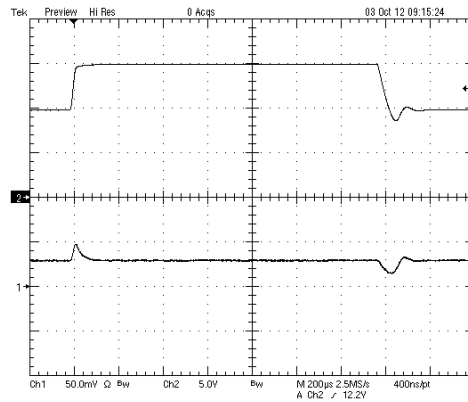


Figure 2.7 Load Regulation

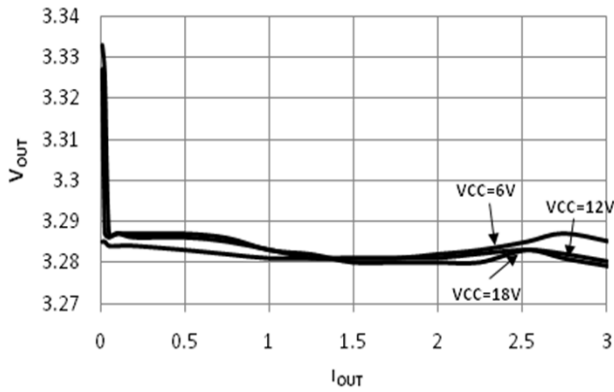


Figure 2.8 Line Regulation (I<sub>OUT</sub>=1A)

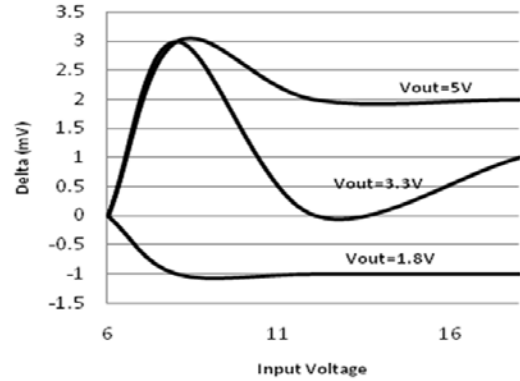


Figure 2.9 Efficiency vs. Output Current (V<sub>OUT</sub> = 1.8V)

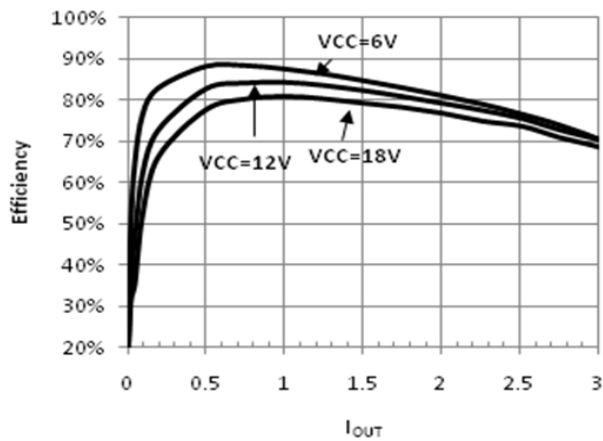


Figure 2.10 Efficiency vs. Output Current (V<sub>OUT</sub> = 3.3V)

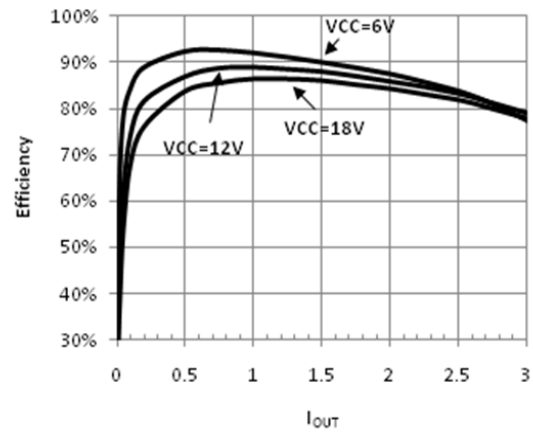


Figure 2.11 Efficiency vs. Output Current (V<sub>OUT</sub> = 5V)

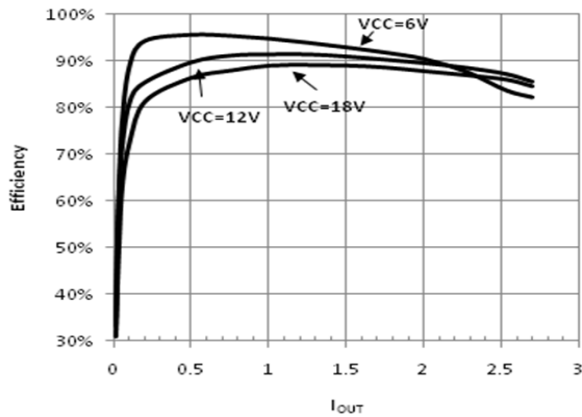
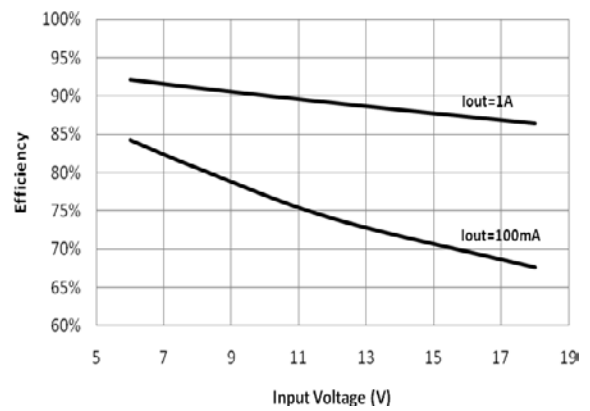
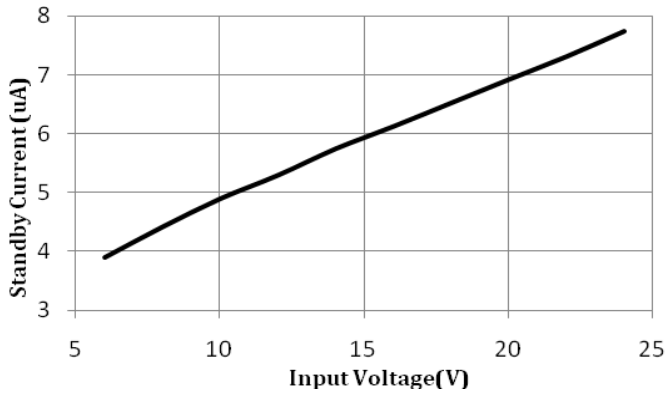


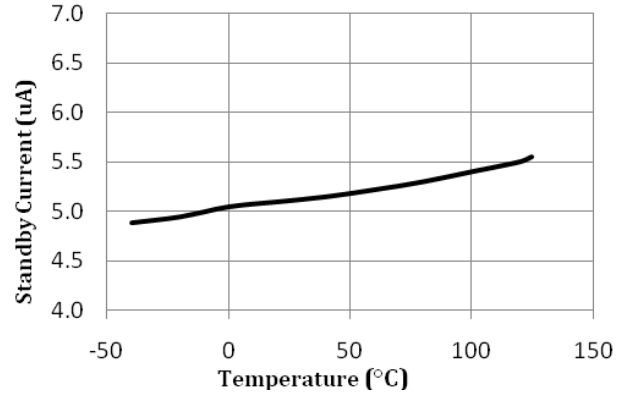
Figure 2.12 Efficiency vs. Input Voltage (V<sub>OUT</sub> = 3.3V)



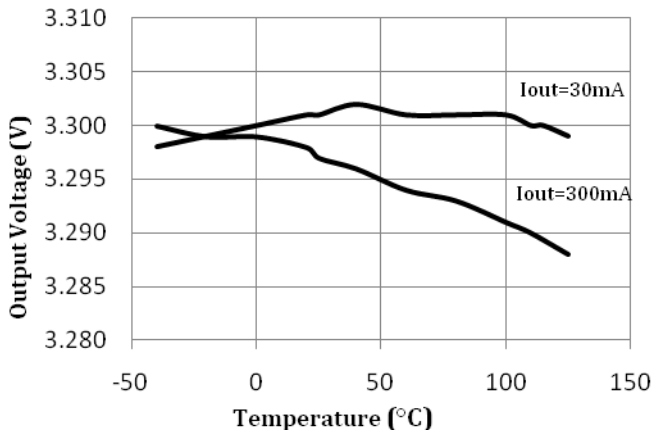
**Figure 2.13 Standby Current vs. Input Voltage**



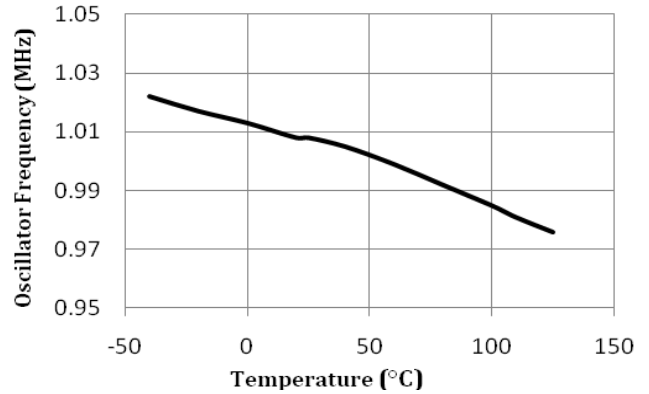
**Figure 2.14 Standby Current vs. Temperature**



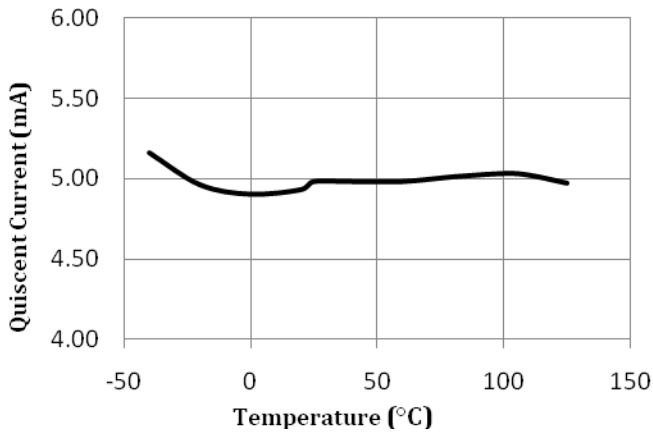
**Figure 2.15 Output Voltage vs. Temperature**



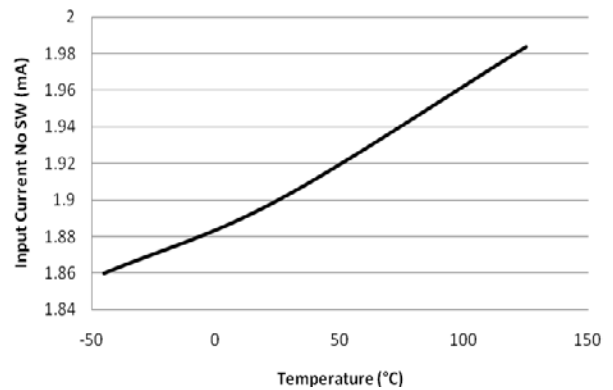
**Figure 2.16 Oscillator Frequency vs. Temperature (Iout=300mA)**



**Figure 2.17 Quiescent Current vs. Temperature (No load)**



**Figure 2.18 Input Current vs. Temperature (No load, No switching)**



### 3 Description of Circuit

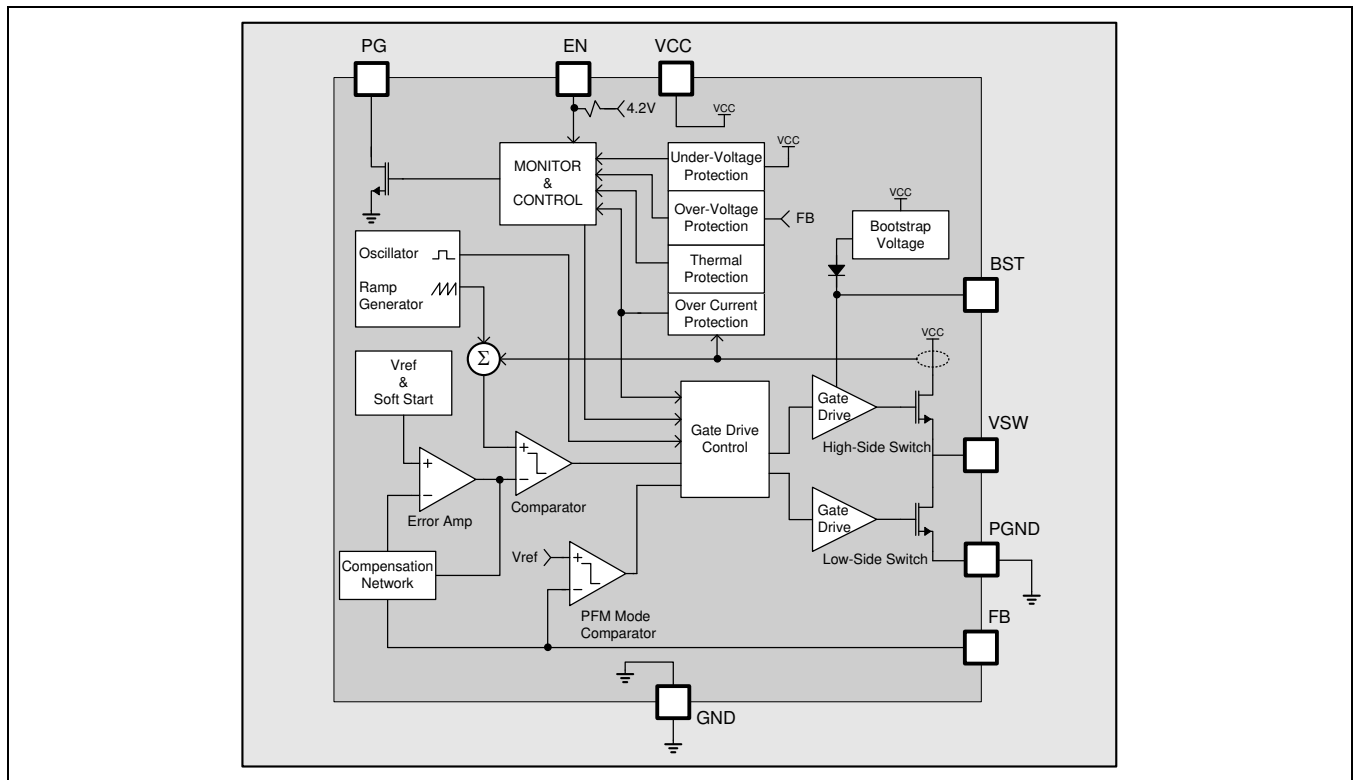
The ZSPM4012B current-mode synchronous step-down power supply product can be used in the commercial, industrial, and automotive market segments. It includes flexibility for a wide range of output voltages and is optimized for high efficiency power conversion with low  $R_{DS(ON)}$  integrated synchronous switches. A 1MHz internal switching frequency facilitates low-cost LC filter combinations. The fixed-output versions also enable a minimum external component count to provide a complete regulation solution with only 4 external components: an input bypass capacitor, an inductor, an output capacitor, and the bootstrap capacitor. The regulator automatically transitions between pulse frequency modulation (PFM) and pulse width modulation (PWM) mode to maximize efficiency for the load demand.

See section 5.3.3 for details for adjusting  $V_{OUT}$  for the adjustable output version of the ZSPM4012B.

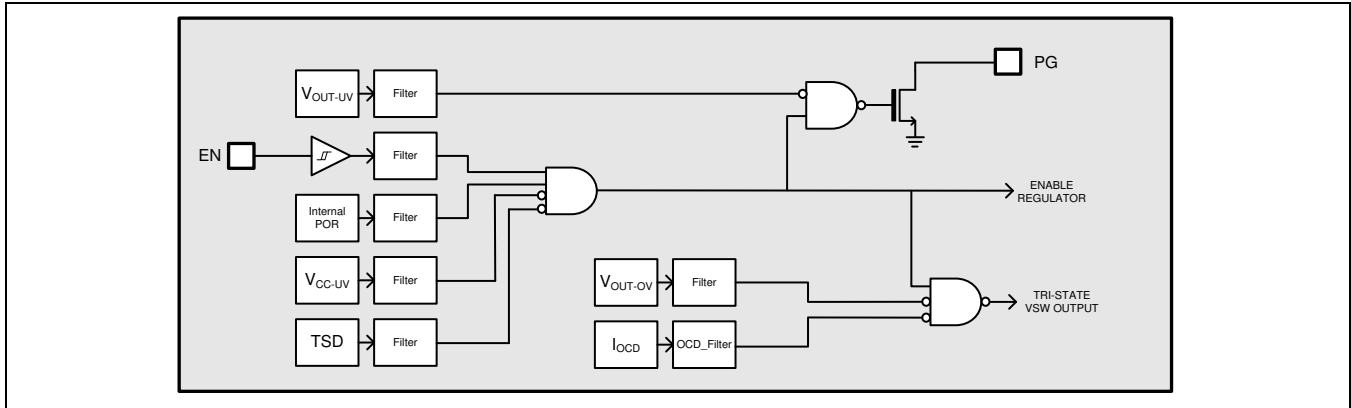
#### 3.1. Block Diagram

Figure 3.1 provides a block diagram of the ZSPM4012B, and Figure 3.2 illustrates its monitor and control logic functions, which are explained in section 3.2.

Figure 3.1 ZSPM4012B Block Diagram



**Figure 3.2 Monitor and Control Logic Functionality**



### 3.2. Internal Protection Details

#### 3.2.1. Internal Current Limit

The current through the high-side FET is sensed on a cycle-by-cycle basis, and if the current limit is reached, the over-current detection (OCD) circuit will abbreviate the cycle. The device also senses the FB pin to identify hard short conditions and will direct the VSW output to skip 4 cycles if the current limit occurs when FB is low. This allows current built up in the inductor during the minimum on-time to decay sufficiently. The current limit is always active when the regulator is enabled. Soft start ensures that current limit does not prevent regulator startup.

An additional feature of the over-current protection circuitry is that under extended over-current conditions, the device will automatically disable. A simple toggle of the EN enable pin will return the device to normal operation.

#### 3.2.2. Thermal Shutdown

If the temperature of the die exceeds 170°C (typical), the thermal shutdown (TSD) circuit will set the VSW outputs to the tri-state level to protect the device from damage. The PG and all other protection circuitry will stay active to inform the system of the failure mode. If the ZSPM4012B cools to 160°C (typical), it will attempt to start up again, following the normal soft start sequence. If the device reaches 170°C, the shutdown/restart sequence will repeat.

#### 3.2.3. Voltage Reference Soft-Start

The voltage reference in this device is ramped at a rate of 4ms to prevent the output from overshoot during startup. This ramp restarts whenever there is a rising edge sensed on the EN pin. This occurs in both the fixed and adjustable versions. During the soft start ramp, current limit is still active and still protects the device if the output is shorted.

#### 3.2.4. VCC Under-Voltage Lockout

The ZSPM4012B is held in the off state until VCC reaches 4.3V (typical). See section 1.4 for the input hysteresis.

### **3.2.5. Output Over-Voltage Protection**

If the output of the regulator exceeds 103% of the regulation voltage, the output over-voltage (OUT-OV) protection circuit will set the VSW outputs to the tri-state level to protect the ZSPM4012B from damage. (See Figure 3.2.) This check occurs at the start of each switching cycle. If it occurs during the middle of a cycle, the switching for that cycle will complete and the VSW outputs will tri-state at the start of the next cycle.

### **3.2.6. Output Under-Voltage Monitoring**

The switched mode output voltage is also monitored by the output under-voltage circuit (OUT-UV) as shown in Figure 3.2. The PG line remains low until the output voltage reaches the  $V_{OUT-UV}$  threshold (see Table 1.5). Once the internal comparator detects that the output voltage is above the desired threshold, an internal delay timer is activated and the PG line is de-asserted (to high) once this delay timer expires. In the event that the output voltage decreases below  $V_{OUT-UV}$ , the PG line will be asserted low and remain low until the output rises above  $V_{OUT-UV}$  and the delay timer times out. There is a hysteresis for the  $V_{OUT-UV}$  threshold (see Table 1.5).

## 4 Application Circuits

### 4.1 Selection of External Components

The internal compensation is optimized for a 44 $\mu$ F output capacitor ( $C_{OUT}$ ) and a 4.7 $\mu$ H inductor ( $L_{OUT}$ ). The minimum allowable value for the output capacitor is 33 $\mu$ F. To keep the output ripple low, a low ESR (less than 35m $\Omega$ ) ceramic is recommended. The inductor range is 4.7 $\mu$ H  $\pm$ 20%. For optimal over-current protection, the inductor should be able to handle up to the regulator current limit without saturation.

Connect the VCC pin to the bypass capacitor  $C_{BYPASS}$  to improve performance (see section 5.3.1 and Table 1.3).

Connect the BST pin to the bootstrap capacitor  $C_{BST}$  as described in section 5.3.2. See Table 1.3 for the recommended value.

For the adjustable version of the ZSPM4012B, an external voltage resistor divider is required ( $R_{TOP}$  and  $R_{BOT}$ ). See section 5.3.3 for details.

### 4.2 Typical Application Circuits

Figure 4.1 Typical Application for Adjustable Output Voltage

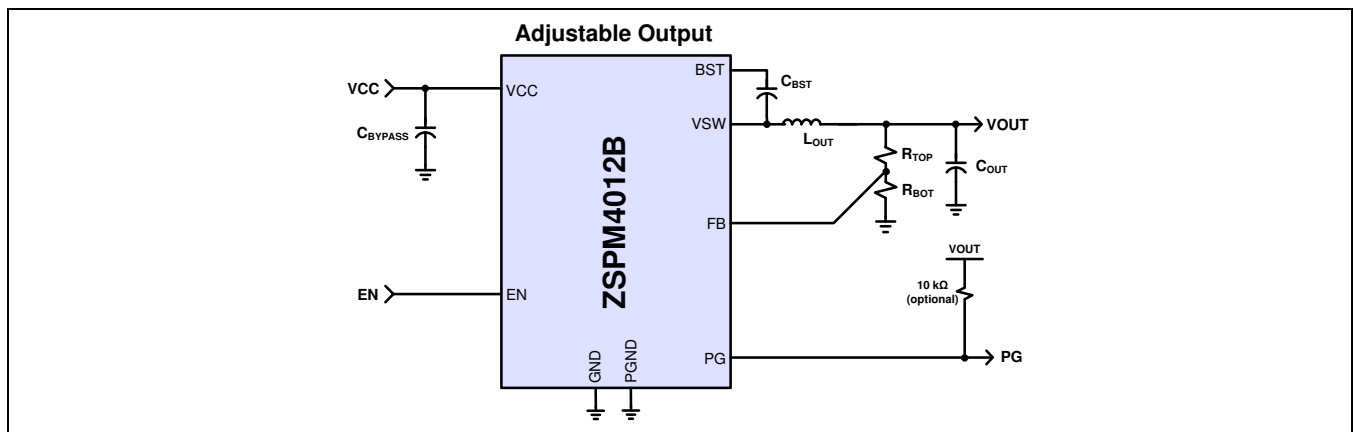
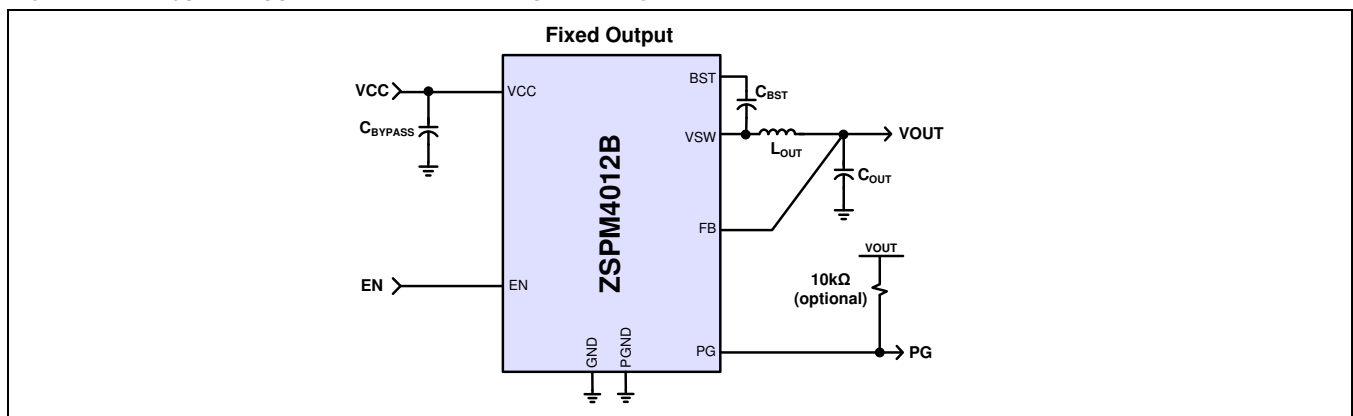
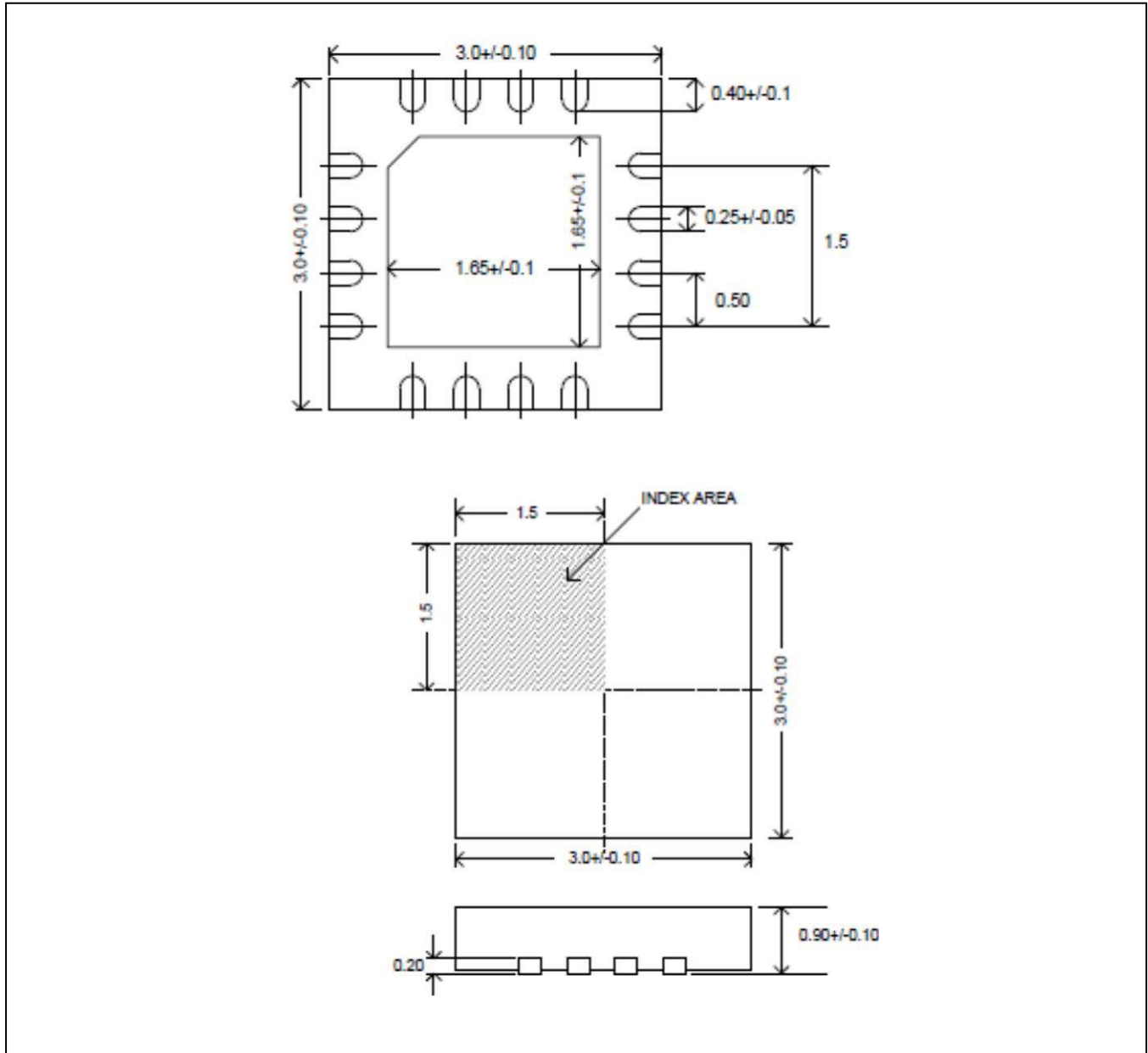


Figure 4.2 Typical Application for Fixed Output Voltage



## 5 Pin Configuration and Package

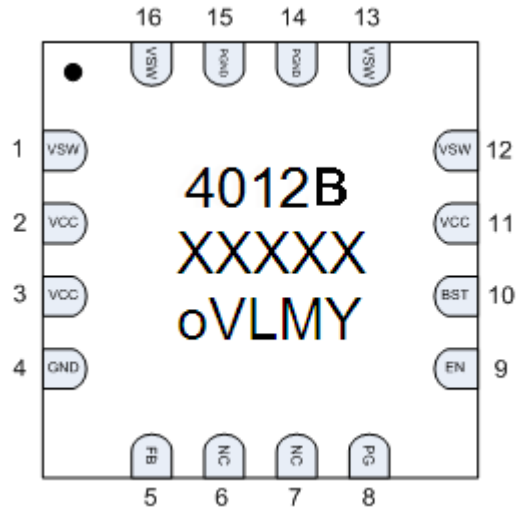
Figure 5.1 ZSPM4012B Package Drawing





### 5.1. Marking Diagram & Pin-out

Figure 5.2 16 Lead 3x3mm QFN (top view)



**4012B: Part Name**

**B: Revision**

**XXXXX: Lot number (last five digits)**

**O: Pin 1 mark**

**VL: Voltage level**

- 15 1.5V
- 18 1.8V
- 25 2.5V
- 33 3.3V
- 50 5.0V
- 00 0.9V – 5.5V variable

**MY: Date Code**

M = Month

- 1 January
- 2 February
- 3 March
- 4 April
- 5 May
- 6 June
- 7 July
- 8 August
- 9 September
- A October
- B November
- C December

Y = Year

- A 2011
- B 2012
- C 2013
- etc.

## 5.2. Pin Description for 16 LEAD 3x3mm QFN

**Table 5.1** Pin Description, 16 lead, 3x3mm QFN

Name	Pin #	Function	Description
VSW	1	Switching Voltage Node	Connected to a 4.7 $\mu$ H (typical) inductor. Also connect to additional VSW pins 12, 13, and 16.
VCC	2	Input Voltage	Input voltage. Also connect to additional VCC pins 3 and 11.
VCC	3	Input Voltage	Input voltage. Also connect to additional VCC pins 2 and 11.
GND	4	GND	Primary ground for the majority of the device except the low-side power FET.
FB	5	Feedback Input	Regulator FB voltage. Connects to V <sub>OUT</sub> for fixed-mode and the output resistor divider for adjustable mode.
NC	6	No Connect	Not connected.
NC	7	No Connect	Not connected.
PG	8	PG Output	Open-drain output.
EN	9	Enable Input	Above 2.2V the device is enabled. Ground this pin to disable the ZSPM4012B. Includes internal pull-up.
BST	10	Bootstrap Capacitor	Bootstrap capacitor for the high-side FET gate driver. Connect a 22nF ceramic capacitor from BST pin to VSW pin.
VCC	11	Input Voltage	Input voltage. Also connect to additional VCC pins 2 and 3.
VSW	12	Switching Voltage Node	Connect to additional VSW pins 1, 13, and 16.
VSW	13	Switching Voltage Node	Connect to additional VSW pins 1, 12, and 16.
PGND	14	Power GND	GND supply for internal low-side FET/integrated diode. Also connect to additional PGND pin 15.
PGND	15	Power GND	GND supply for internal low-side FET/integrated diode. Also connect to additional PGND pin 14.
VSW	16	Switching Voltage Node	Connect to additional VSW pins 1, 12, and 13.

### 5.3. Detailed Pin Description

#### 5.3.1. Unregulated Input, VCC (Pins # 2, 3)

This terminal is the unregulated input voltage source for the ZSPM4012B. It is recommended that a 10 $\mu$ F bypass capacitor be placed close to the device for best performance. Since this is the main supply for the ZSPM4012B, good layout practices must be followed for this connection.

#### 5.3.2. Bootstrap Control, BST (Pin #10)

This terminal will provide the bootstrap voltage required for the high-side internal NMOS switch of the buck regulator. An external ceramic capacitor placed between the BST input terminal, and the VSW pin will provide the necessary voltage for the high-side switch. In normal operation, the capacitor is re-charged on every low side synchronous switching action. If the switch mode approaches 100% duty cycle for the high side FET, the device will automatically reduce the duty cycle switch to a minimum off time on every 8<sup>th</sup> cycle to allow this capacitor to re-charge.

#### 5.3.3. Sense Feedback, FB (Pin #5)

This is the input terminal for the output voltage feedback. For the fixed-mode versions, this should be connected directly to  $V_{OUT}$ . The connection on the PCB should be kept as short as possible and should be made as close as possible to the capacitor. The trace should not be shared with any other connection. For adjustable-mode versions of the ZSPM4012B, this should be connected to the external resistor divider. To choose the resistors, use the following equation:

$$V_{OUT} = 0.9 (1 + R_{TOP}/R_{BOT})$$

The input to the FB pin is high impedance, and input current should be less than 100nA. As a result, good layout practices are required for the feedback resistors and feedback traces. When using the adjustable version, the feedback trace should be kept as short and narrow as possible to reduce stray capacitance and the injection of noise.

#### 5.3.4. Switching Output, VSW (Pins #12, 13)

This is the switching node of the regulator. It should be connected directly to the 4.7 $\mu$ H inductor with a wide, short trace and to one end of the bootstrap capacitor. It switches between VCC and PGND at the switching frequency.

#### 5.3.5. Ground, GND (Pin #4)

This ground is used for the majority of the device including the analog reference, control loop, and other circuits.

#### 5.3.6. Power Ground, PGND (Pins #14, 15)

This is a separate ground connection used for the low-side synchronous switch to isolate switching noise from the rest of the device.

#### 5.3.7. Enable, EN (Pin #9)

This is the input terminal to activate the regulator. The input threshold is TTL/CMOS compatible. It also has an internal pull-up to ensure a stable state if the pin is disconnected.

#### 5.3.8. PG Output, PG (Pin #8)

This is an open drain, active low output. See section 3.2.6 for a description of the function of this pin.

## 6 Ordering Information

Ordering Code	Description	Package
ZSPM4012BA1W00	2A Synchronous Buck Converter: adjustable output, 0.9V to 5.5V, 16-pin 3x3mm QFN	7" reel with 1000 ICs
ZSPM4012BA1W15	2A Synchronous Buck Converter: fixed output, 1.5V, 16-pin 3x3mm QFN	7" reel with 1000 ICs
ZSPM4012BA1W18	2A Synchronous Buck Converter: fixed output, 1.8V, 16-pin 3x3mm QFN	7" reel with 1000 ICs
ZSPM4012BA1W25	2A Synchronous Buck Converter: fixed output, 2.5V, 16-pin 3x3mm QFN	7" reel with 1000 ICs
ZSPM4012BA1W33	2A Synchronous Buck Converter: fixed output, 3.3V, 16-pin 3x3mm QFN	7" reel with 1000 ICs
ZSPM4012BA1W50	2A Synchronous Buck Converter: fixed output, 5.0V, 16-pin 3x3mm QFN	7" reel with 1000 ICs
ZSPM4012BKIT	ZSPM4012B Evaluation Kit for 2A Synchronous Buck Converter	Kit

## 7 Related Documents

Document
<i>ZSPM4012B Feature Sheet</i>
<i>ZSPM4012B Evaluation Kit Description</i>

Visit IDT's website [www.IDT.com](http://www.IDT.com) or contact your nearest sales office for the latest version of these documents.

## 8 Glossary

Term	Description
PWM	Pulse width modulation (fixed frequency).
PFM	Pulse frequency modulation (fixed pulse width).
POR	Power-on reset
ESR	Equivalent series resistance.

## 9 Document Revision History

Revision	Date	Description
1.00	April 2, 2013	First release of ZSPM4012B, based on ZSPM4012, silicon revision A.
1.10	June 21, 2013	Update to allow for 5.5V output voltage, new transient response graph, addition of thermal parameter for "Thermal Resistance Junction to Case ( $\theta_{JC}$ )" specification, and revision of "Thermal Resistance Junction to Ambient ( $\theta_{JA}$ )" specification.
1.20	February 18, 2014	Revision of specifications for "Input Supply Under Voltage Threshold Hysteresis" in Table 1.4.
	January 27, 2016	Changed to IDT branding.

## IMPORTANT NOTICE AND DISCLAIMER

RENESAS ELECTRONICS CORPORATION AND ITS SUBSIDIARIES (“RENESAS”) PROVIDES TECHNICAL SPECIFICATIONS AND RELIABILITY DATA (INCLUDING DATASHEETS), DESIGN RESOURCES (INCLUDING REFERENCE DESIGNS), APPLICATION OR OTHER DESIGN ADVICE, WEB TOOLS, SAFETY INFORMATION, AND OTHER RESOURCES “AS IS” AND WITH ALL FAULTS, AND DISCLAIMS ALL WARRANTIES, EXPRESS OR IMPLIED, INCLUDING, WITHOUT LIMITATION, ANY IMPLIED WARRANTIES OF MERCHANTABILITY, FITNESS FOR A PARTICULAR PURPOSE, OR NON-INFRINGEMENT OF THIRD PARTY INTELLECTUAL PROPERTY RIGHTS.

These resources are intended for developers skilled in the art designing with Renesas products. You are solely responsible for (1) selecting the appropriate products for your application, (2) designing, validating, and testing your application, and (3) ensuring your application meets applicable standards, and any other safety, security, or other requirements. These resources are subject to change without notice. Renesas grants you permission to use these resources only for development of an application that uses Renesas products. Other reproduction or use of these resources is strictly prohibited. No license is granted to any other Renesas intellectual property or to any third party intellectual property. Renesas disclaims responsibility for, and you will fully indemnify Renesas and its representatives against, any claims, damages, costs, losses, or liabilities arising out of your use of these resources. Renesas' products are provided only subject to Renesas' Terms and Conditions of Sale or other applicable terms agreed to in writing. No use of any Renesas resources expands or otherwise alters any applicable warranties or warranty disclaimers for these products.

(Disclaimer Rev.1.0 Mar 2020)

### Corporate Headquarters

TOYOSU FORESIA, 3-2-24 Toyosu,  
Koto-ku, Tokyo 135-0061, Japan  
[www.renesas.com](http://www.renesas.com)

### Contact Information

For further information on a product, technology, the most up-to-date version of a document, or your nearest sales office, please visit:  
[www.renesas.com/contact/](http://www.renesas.com/contact/)

### Trademarks

Renesas and the Renesas logo are trademarks of Renesas Electronics Corporation. All trademarks and registered trademarks are the property of their respective owners.