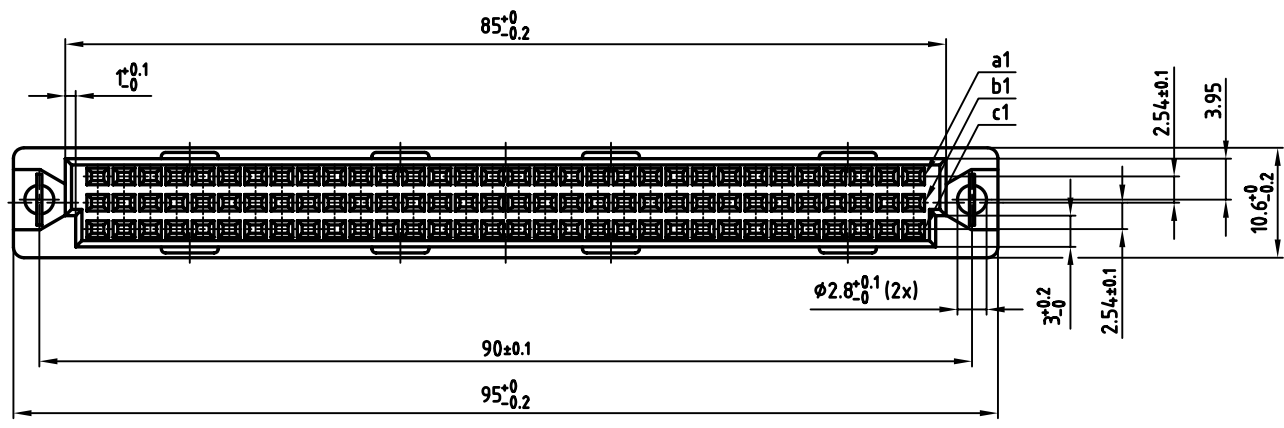
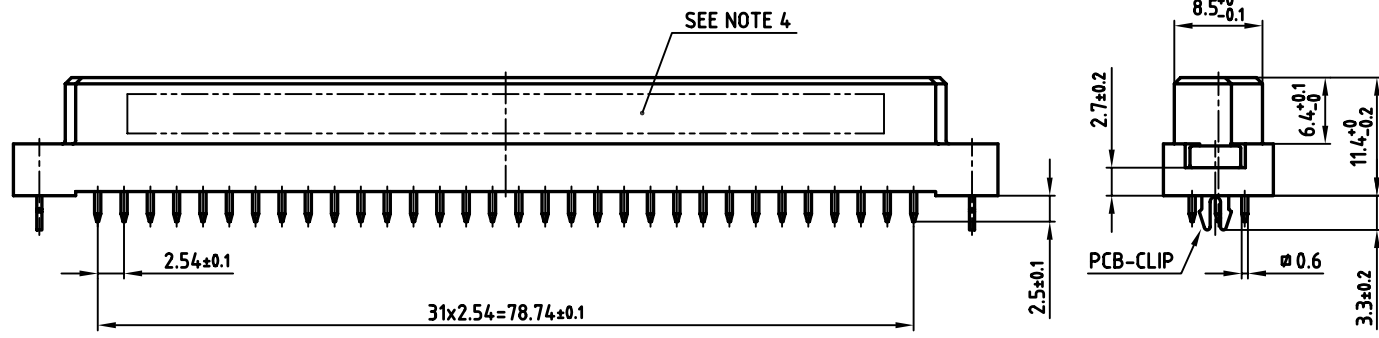


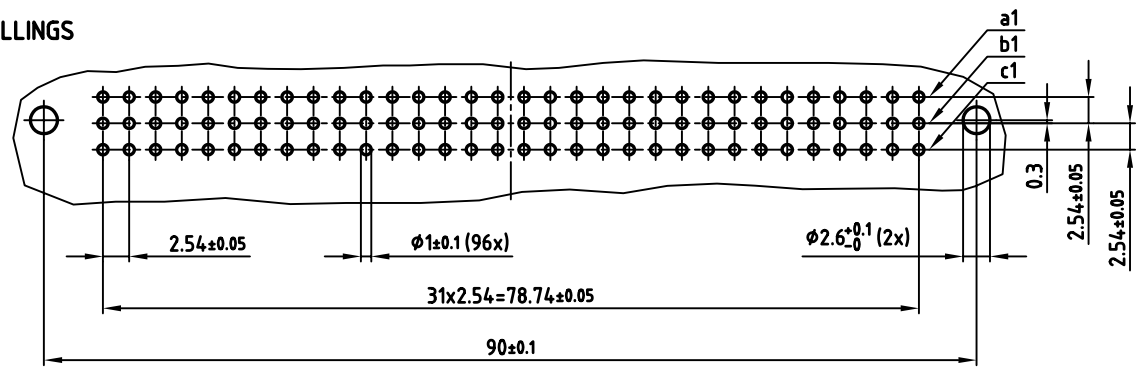
used for: DIN EN 60603-2 TYPE "C"



- NOTES:**
- INSULATORS: PBTP UL 94 V-0, GREY
 - CONTACTS: COPPER ALLOY
PLATING: GOLD OVER NICKEL
50 MATING CYCLES
 - PCB-CLIP: COPPER ALLOY
PCB HOLE Ø2.6±0.1 / PCB THICKNESS t=1.6mm
 - CONNECTOR IS PART MARKED: 122A13289X CONEC ABC



P.C.B. HOLE DRILLINGS



APPROVAL # FREIGABE # DEBLOCAGE # AUTORIZACION # APPROVAL

CUSTOMER APPROVAL DATE:

NAME: TITLE:

COMPANY NAME:

APPROVAL # FREIGABE # DEBLOCAGE # AUTORIZACION # APPROVAL

THIS DRAWING MAY NOT BE COPIED OR REPRODUCED IN ANY WAY, AND MAY NOT BE PASSED ON TO A THIRD PARTY, WITHOUT WRITTEN PERMISSION. OWNERSHIP AND COPYRIGHT OF CONEC GmbH DO NOT ALTER CAD DRAWING BY HAND

rev.	description	date	name
a	Origin		

2006	date	name
drawn	01.06.	Lehmenkühler
appd.	01.06.	Mickenbecker
norm	DIN EN 60603-2	
d-old		

tolerance:

scale: 2:1

material: SEE NOTES

title: **FEMALE CONNECTOR TYPE "C"**
96pos. SOLDER PIN 2.5mm with clip

dwg no: AutoCAD 2006 DIN-A 3 sh: 1/1

part no: 122A13289X

