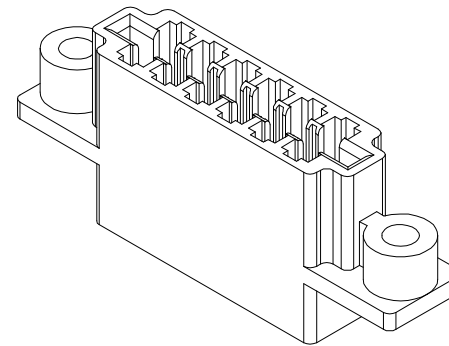
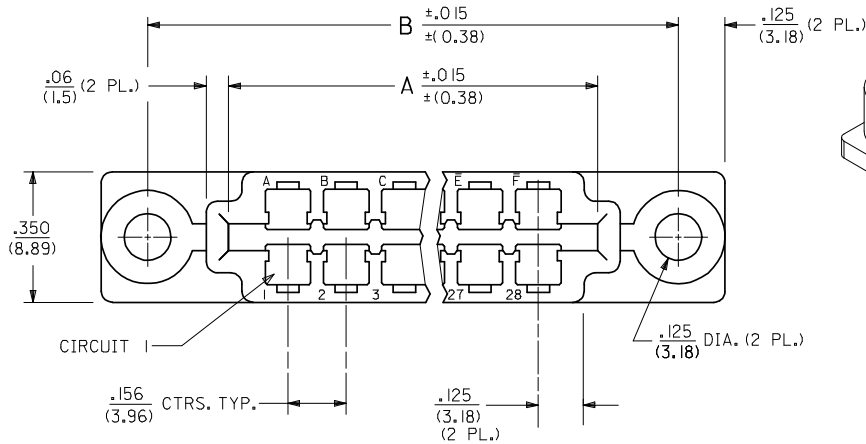


| | | | | | | | | | | | | | | | | | | | | | | | | | | | | |
|---|---|---|---|---|---|---|---|---|----|----|----|----|----|----|----|----|----|----|----|----|----|----|----|----|----|----|----|---|
| A | B | C | D | E | F | H | J | K | L | M | N | P | R | S | T | U | V | W | X | Y | Z | Ā | Ē | Ĉ | Ď | Ē | Ĕ | Ė |
| I | 2 | 3 | 4 | 5 | 6 | 7 | 8 | 9 | 10 | 11 | 12 | 13 | 14 | 15 | 16 | 17 | 18 | 19 | 20 | 21 | 22 | 23 | 24 | 25 | 26 | 27 | 28 | |

CIRCUIT IDENTIFICATION
ON TOP SURFACE

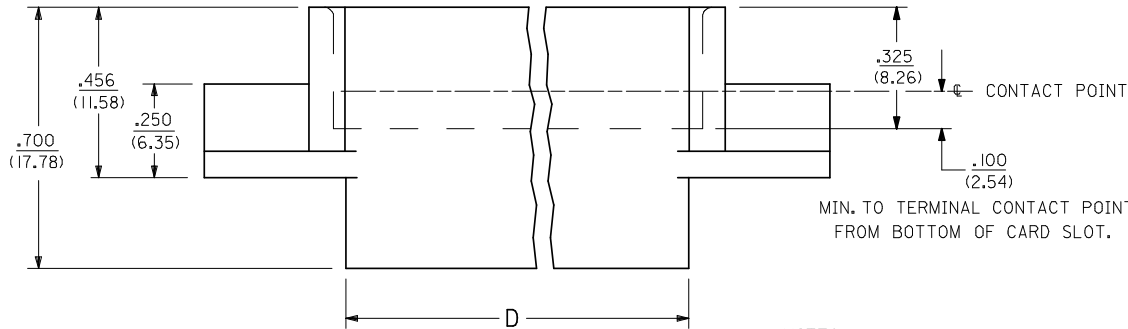


| CKTS | DIM. "A" | DIM. "B" (W/FLANGES) | DIM. "C" | DIM. "D" |
|------|----------------|----------------------|----------------|--------------|
| 6 | 1.105 (28.07) | 1.531 (38.89) | 1.085 (27.56) | 1.02 (26.0) |
| 8 | 1.415 (35.94) | 1.767 (44.88) | 1.395 (35.43) | 1.34 (33.9) |
| 10 | 1.729 (43.92) | 2.156 (54.76) | 1.709 (43.41) | 1.65 (41.9) |
| 12 | 2.041 (51.84) | 2.465 (62.61) | 2.021 (51.33) | 1.96 (49.8) |
| 15 | 2.510 (63.75) | 2.938 (74.63) | 2.490 (63.25) | 2.43 (61.7) |
| 18 | 2.955 (75.06) | 3.406 (86.51) | 2.935 (74.55) | 2.90 (73.6) |
| 22 | 3.610 (91.69) | 4.039 (102.59) | 3.590 (91.19) | 3.52 (89.4) |
| 24 | 3.922 (99.62) | 4.350 (110.49) | 3.902 (99.11) | 3.83 (97.3) |
| 25 | 4.078 (103.58) | 4.503 (114.38) | 4.058 (103.07) | 3.99 (101.3) |
| 28 | 4.549 (115.54) | 4.969 (126.21) | 4.529 (115.04) | 4.46 (113.2) |

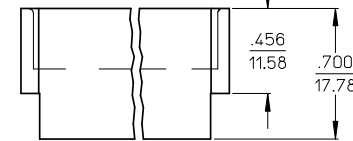
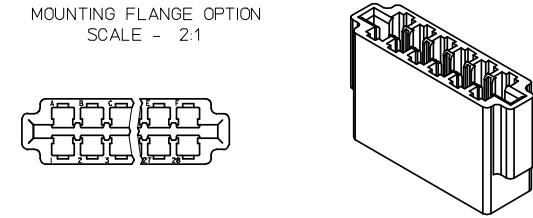
LEGEND
4338-***

CIRCUIT SIZE
I=W.O./FLANGES
BLANK=W./FLANGES

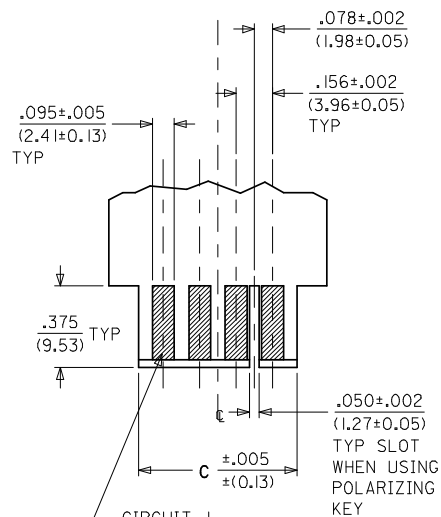
R=W./POLARIZATION RIB (SEE SHEET 2)
BLANK= W.O./POLARIZATION RIB



TYPICAL HOUSING WITHOUT MOUNTING FLANGE OPTION
SCALE - 2:1



RECOMMENDED PCB LAYOUT
PCB THICKNESS: .062/(1.57)



NOTES:

1. MATERIAL: GLASS FILLED POLYESTER, UL94V-0, MOLDED BLACK.
2. FINISH: N/A
3. THIS PRODUCT CONFORMS TO PRODUCT SPECIFICATION PS-09-50.
4. PARTS ARE BULK PACKAGED.
5. THIS HOUSING ACCEPTS THE FOLLOWING TERMINALS:
CRIMP TERMINAL NUMBER: 4366 AND 4573
SOLDER LUG TERMINAL NUMBER: 4574

| | |
|-----|------|
| 2 | D |
| I | D |
| SH. | REV. |

| | | |
|---------------------|---------------------|------------|
| ADD POL. RIB OPTION | EC NO: UCP2008-2736 | 2008/05/27 |
| DRWN:KIPER | 2008/05/27 | |
| CHKD:SSOUSEK | 2008/05/27 | |
| APPR:FSMITH | 2008/05/28 | |
| DESCRIPTION | REV | |

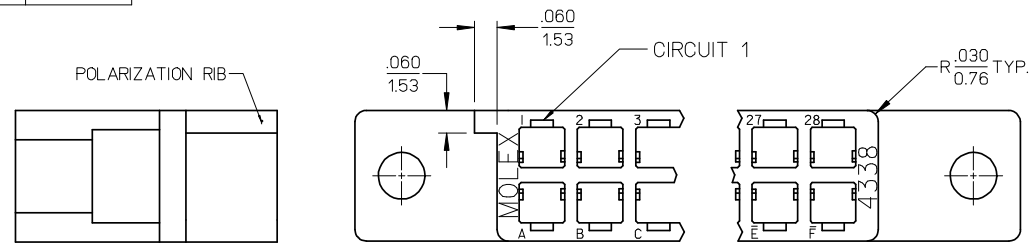
| | | |
|-----------------|-----|-----|
| QUALITY SYMBOLS | ▽=0 | ▽=0 |
|-----------------|-----|-----|

| | | |
|--|-------|-------|
| GENERAL TOLERANCES (UNLESS SPECIFIED) | mm | INCH |
| 4 PLACES | ±.005 | ±.001 |
| 3 PLACES | ±.010 | ±.002 |
| 2 PLACES | ±.025 | ±.010 |
| 1 PLACE | ±.035 | ±.015 |
| ANGULAR ±1/2° | | |
| DRAFT WHERE APPLICABLE MUST REMAIN WITHIN DIMENSIONS | | |

| | |
|-----------------|------------|
| DIMENSION STYLE | IN/MM |
| DRAWN BY | ROBERTS |
| DATE | 1991/09/09 |
| CHECKED BY | PATEL |
| DATE | 1991/09/09 |
| APPROVED BY | LENZ |
| DATE | 1991/09/09 |
| MATERIAL NO. | SEE CHART |
| DOCUMENT NO. | SD-4338 |

| | |
|---|-------------------------------|
| SCALE | 4:1 |
| DESIGN UNITS | INCH |
| THIRD ANGLE PROJECTION | |
| TITLE | HOUSING, DOUBLE ROW CONNECTOR |
| MOLEX INCORPORATED | |
| SHEET NO. | 1 OF 2 |
| THIS DRAWING CONTAINS INFORMATION THAT IS PROPRIETARY TO MOLEX INCORPORATED AND SHOULD NOT BE USED WITHOUT WRITTEN PERMISSION | |

| | 13 | 12 | 11 | 10 | 9 | 8 | 7 | 6 | 5 | 4 | 3 | 2 | 1 |
|---|------------|----------|----|----------|----------|---|---|---|---|---|---|---|---|
| J | PART NO. | ENG. NO. | | PART NO. | ENG. NO. | | | | | | | | |
| | 09-50-6065 | 4338-6 | | | | | | | | | | | |
| | 09-50-5065 | 4338-6I | | | | | | | | | | | |
| | 09-50-6085 | 4338-8 | | | | | | | | | | | |
| | 09-50-7085 | 4338-8R | | | | | | | | | | | |
| | 09-50-5085 | 4338-8I | | | | | | | | | | | |
| I | 09-50-6105 | 4338-10 | | | | | | | | | | | |
| | 09-50-5105 | 4338-10I | | | | | | | | | | | |
| | 09-50-6125 | 4338-12 | | | | | | | | | | | |
| | 09-50-5125 | 4338-12I | | | | | | | | | | | |
| | 09-50-6155 | 4338-15 | | | | | | | | | | | |
| | 09-50-5155 | 4338-15I | | | | | | | | | | | |
| | 09-50-6185 | 4338-18 | | | | | | | | | | | |
| H | 09-50-5185 | 4338-18I | | | | | | | | | | | |
| | 09-50-6225 | 4338-22 | | | | | | | | | | | |
| | 09-50-5225 | 4338-22I | | | | | | | | | | | |
| | 09-50-6245 | 4338-24 | | | | | | | | | | | |
| | 09-50-5245 | 4338-24I | | | | | | | | | | | |
| | 09-50-6255 | 4338-25 | | | | | | | | | | | |
| G | 09-50-5255 | 4338-25I | | | | | | | | | | | |
| | 09-50-6285 | 4338-28 | | | | | | | | | | | |
| | 09-50-5285 | 4338-28I | | | | | | | | | | | |
| F | | | | | | | | | | | | | |
| | | | | | | | | | | | | | |
| E | | | | | | | | | | | | | |
| | | | | | | | | | | | | | |



SHOWN WITH OPTIONAL POLARIZATION RIB

| ADD POL. RIB OPTION EC NO: UCP2008-2736 DRAWN: KKI/PPER 2008/05/27 CHKD: SSO/USEK 2008/05/27 APPR: FSM/IH 2008/05/28 | DESCRIPTION REV | QUALITY SYMBOLS | GENERAL TOLERANCES (UNLESS SPECIFIED) | DIMENSION STYLE | SCALE | DESIGN UNITS | THIRD ANGLE PROJECTION | | | | | | | | | | | | | | | | | | |
|--|--------------------|--------------------------|---|-----------------|-------|--------------|------------------------|------------|------------|----------|-------|------------|--------------------|-------------|-------|---------|------------|--------------|--|--|-----------|---------|-----|------|-----------|
| | | $\nabla=0$ $\nabla=0$ | <table border="1"> <thead> <tr> <th></th> <th>mm</th> <th>INCH</th> </tr> </thead> <tbody> <tr> <td>4 PLACES</td> <td>±---</td> <td>±---</td> </tr> <tr> <td>3 PLACES</td> <td>±---</td> <td>±.010</td> </tr> <tr> <td>2 PLACES</td> <td>±0.25</td> <td>±.014</td> </tr> <tr> <td>1 PLACE</td> <td>±0.35</td> <td>±---</td> </tr> <tr> <td colspan="3">ANGULAR ±1/2°</td> </tr> </tbody> </table> | | mm | INCH | 4 PLACES | ±--- | ±--- | 3 PLACES | ±--- | ±.010 | 2 PLACES | ±0.25 | ±.014 | 1 PLACE | ±0.35 | ±--- | ANGULAR ±1/2° | | | IN/MM | --- | INCH | |
| | | | mm | INCH | | | | | | | | | | | | | | | | | | | | | |
| | | 4 PLACES | ±--- | ±--- | | | | | | | | | | | | | | | | | | | | | |
| 3 PLACES | ±--- | ±.010 | | | | | | | | | | | | | | | | | | | | | | | |
| 2 PLACES | ±0.25 | ±.014 | | | | | | | | | | | | | | | | | | | | | | | |
| 1 PLACE | ±0.35 | ±--- | | | | | | | | | | | | | | | | | | | | | | | |
| ANGULAR ±1/2° | | | | | | | | | | | | | | | | | | | | | | | | | |
| | | | <table border="1"> <tr> <td>DRAWN BY</td> <td>DATE</td> <td rowspan="3">TITLE</td> </tr> <tr> <td>ROBERTS</td> <td>1991/09/16</td> </tr> <tr> <td>CHECKED BY</td> <td>DATE</td> </tr> <tr> <td>PATEL</td> <td>1991/09/16</td> <td rowspan="2"> MOLEX INCORPORATED </td> </tr> <tr> <td>APPROVED BY</td> <td>DATE</td> </tr> <tr> <td>LENZ</td> <td>1991/09/16</td> <td>DOCUMENT NO.</td> </tr> <tr> <td colspan="2">DRAFT WHERE APPLICABLE MUST REMAIN WITHIN DIMENSIONS</td> <td>SEE CHART</td> <td>SD-4338</td> </tr> </table> | DRAWN BY | DATE | TITLE | ROBERTS | 1991/09/16 | CHECKED BY | DATE | PATEL | 1991/09/16 | MOLEX INCORPORATED | APPROVED BY | DATE | LENZ | 1991/09/16 | DOCUMENT NO. | DRAFT WHERE APPLICABLE MUST REMAIN WITHIN DIMENSIONS | | SEE CHART | SD-4338 | | | SHEET NO. |
| DRAWN BY | DATE | TITLE | | | | | | | | | | | | | | | | | | | | | | | |
| ROBERTS | 1991/09/16 | | | | | | | | | | | | | | | | | | | | | | | | |
| CHECKED BY | DATE | | | | | | | | | | | | | | | | | | | | | | | | |
| PATEL | 1991/09/16 | MOLEX INCORPORATED | | | | | | | | | | | | | | | | | | | | | | | |
| APPROVED BY | DATE | | | | | | | | | | | | | | | | | | | | | | | | |
| LENZ | 1991/09/16 | DOCUMENT NO. | | | | | | | | | | | | | | | | | | | | | | | |
| DRAFT WHERE APPLICABLE MUST REMAIN WITHIN DIMENSIONS | | SEE CHART | SD-4338 | | | | | | | | | | | | | | | | | | | | | | |
| | | | | | | 2 OF 2 | | | | | | | | | | | | | | | | | | | |