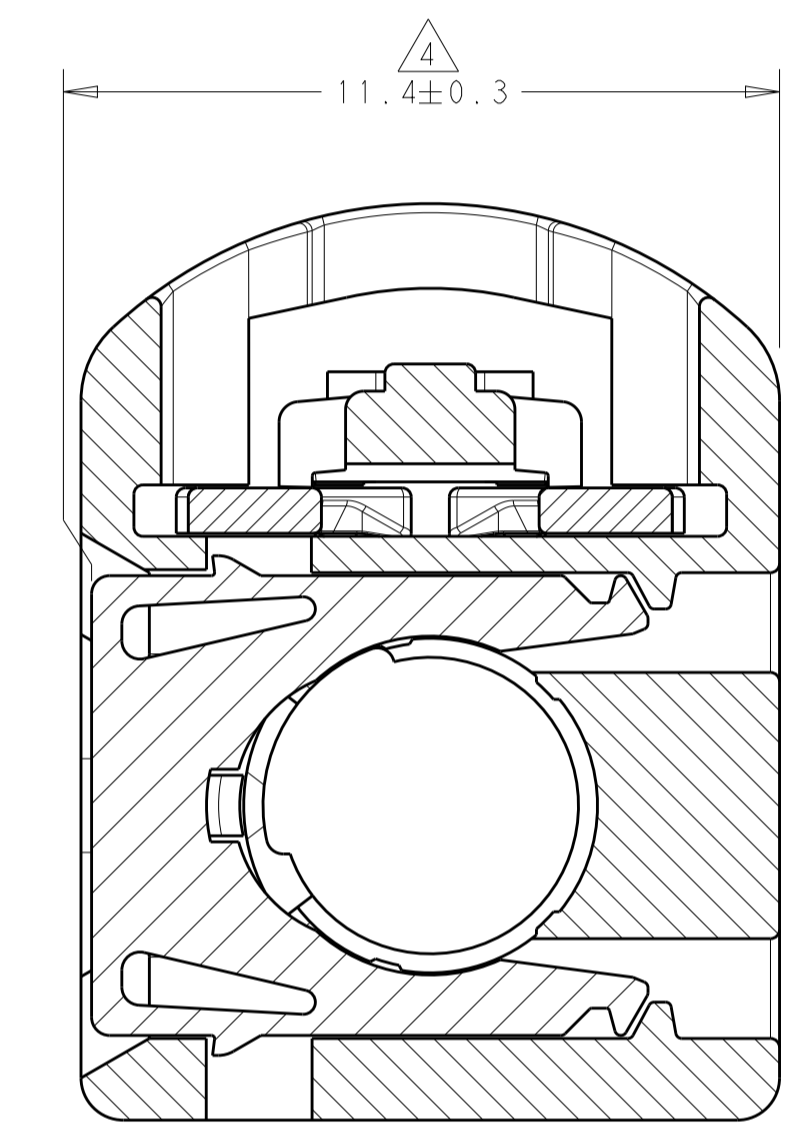
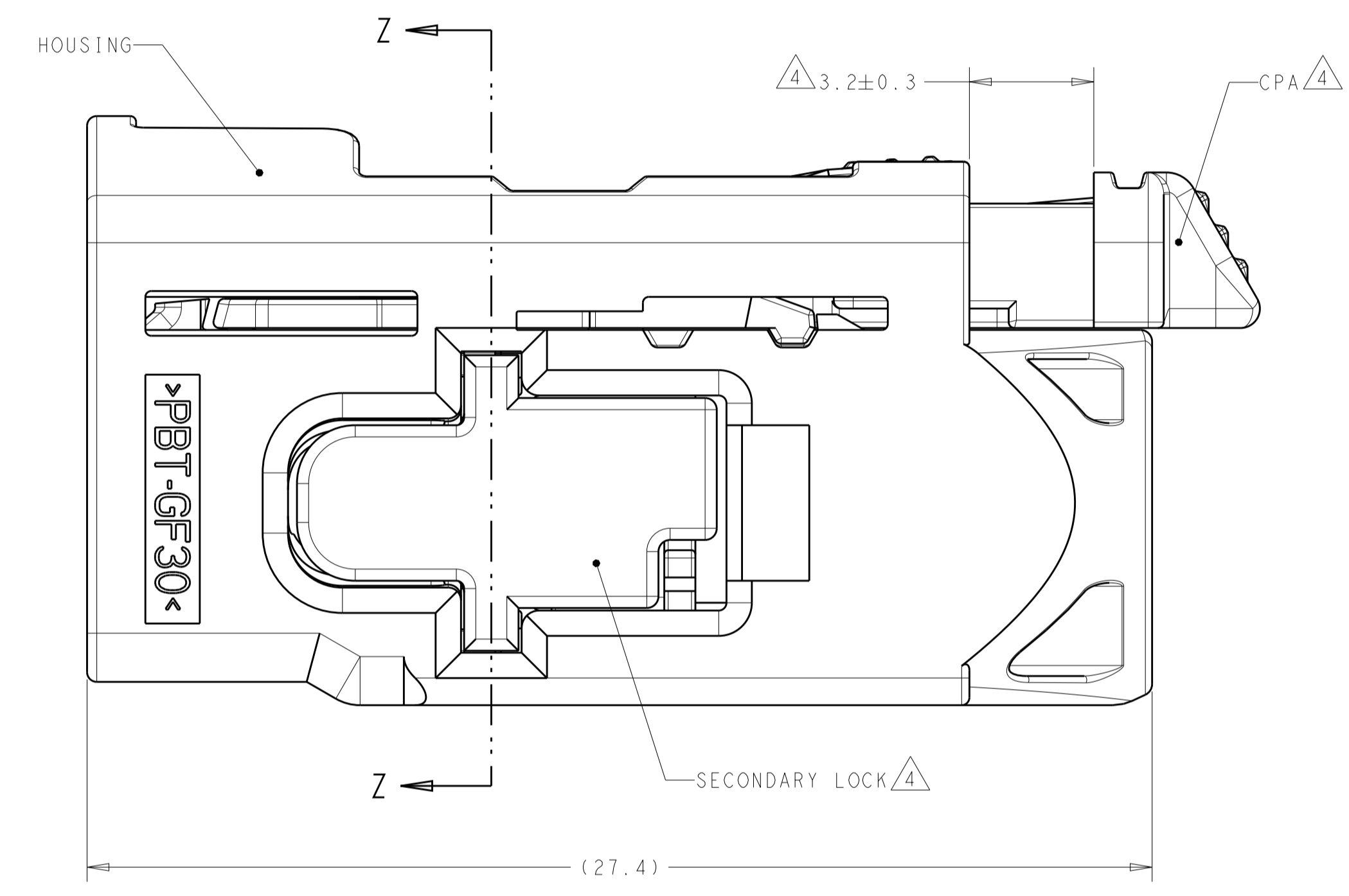
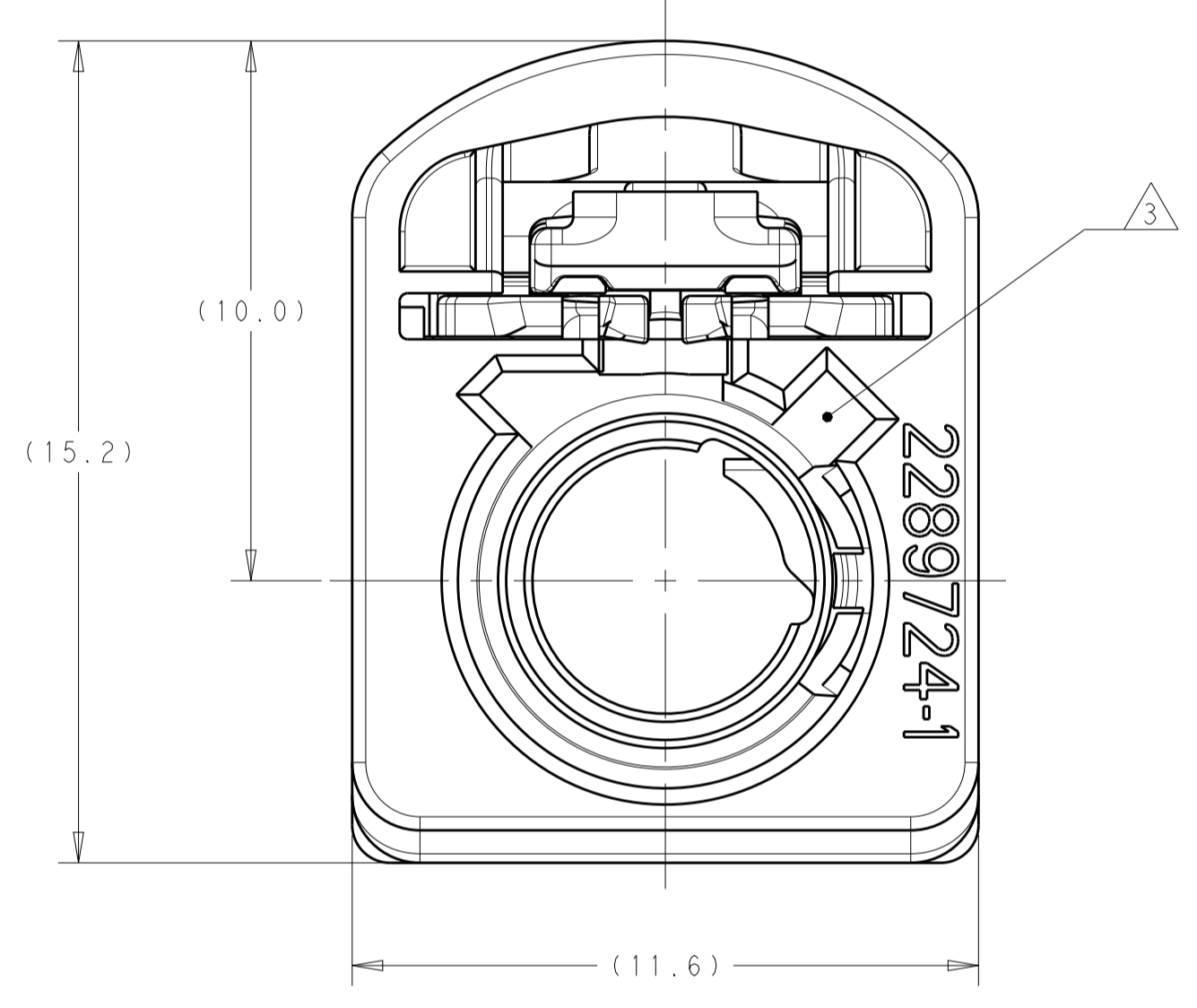
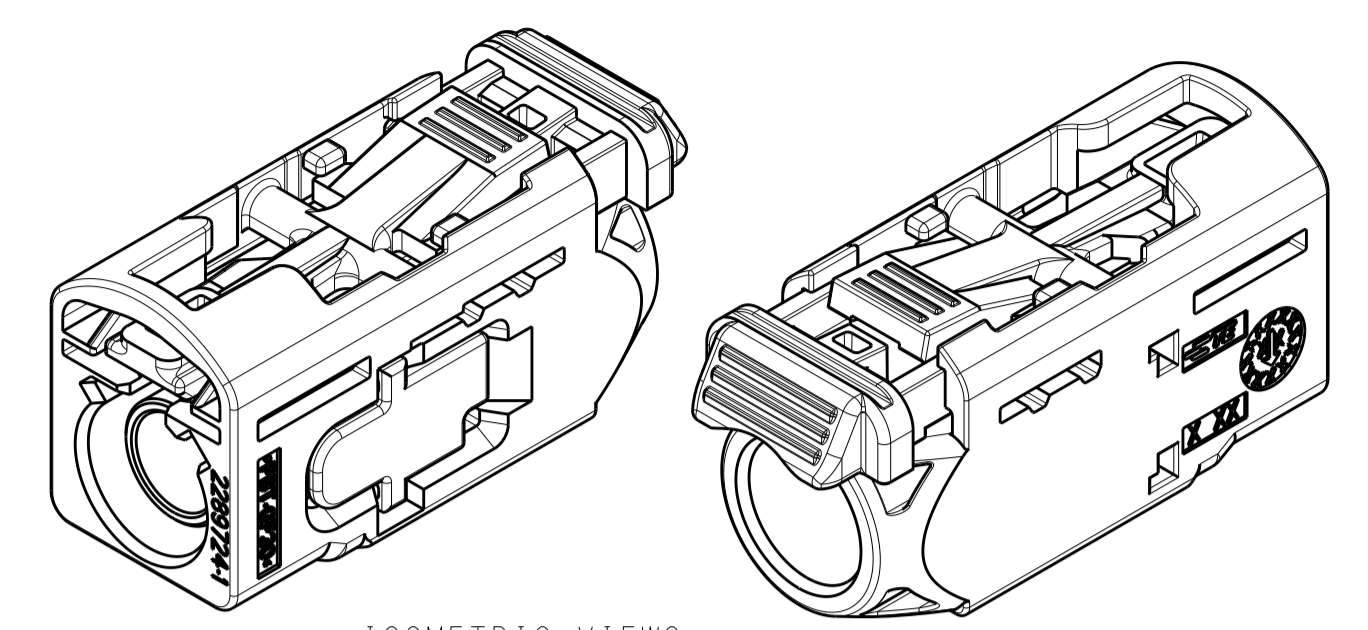
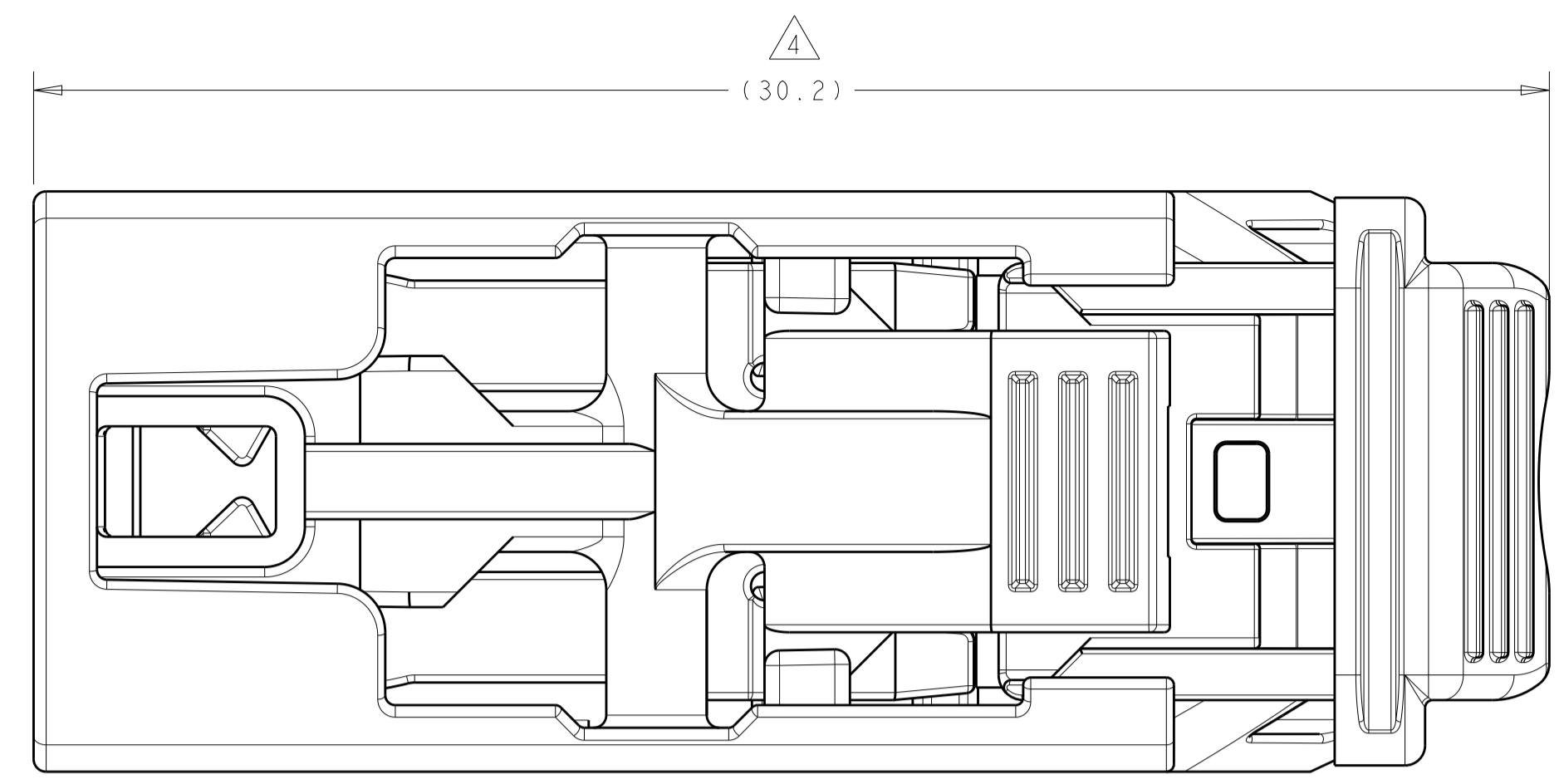


REVISIONS				
P.	LTN	DESCRIPTION	DATE	OWN APVD
A		RELEASED PER ECO-19-002122	11FEB2019	NLE JWH



2289729-1 AS SHOWN

WITHOUT CPA	WITH CPA	CPA	CABLE ASSEMBLY QTY=1	CODING REF	KEYING	CODING COLOR	PART NUMBER
Z						WATER BLUE	4-2289729-0
N						PASTEL GREEN	3-2289729-3
M						PASTEL ORANGE	3-2289729-2
L						CARMINE RED	3-2289729-1
K						CURRY	3-2289729-0
I						BEIGE	2-2289729-9
H						HEATHER VIOLET	2-2289729-8
G						BLUE GREY	2-2289729-7
F						NUT BROWN	2-2289729-6
E						LEAF GREEN	2-2289729-5
D						CLARET VIOLET	2-2289729-4
C						SIGNAL BLUE	2-2289729-3
B						CREAM	2-2289729-2
A						JET BLACK	2-2289729-1
Z						WATER BLUE	2-2289729-0
N						PASTEL GREEN	1-2289729-3
M						PASTEL ORANGE	1-2289729-2
L						CARMINE RED	1-2289729-1
K						CURRY	1-2289729-0
I						BEIGE	2289729-9
H						HEATHER VIOLET	2289729-8
G						BLUE GREY	2289729-7
F						NUT BROWN	2289729-6
E						LEAF GREEN	2289729-5
D						CLARET VIOLET	2289729-4
C						SIGNAL BLUE	2289729-3
B						CREAM	2289729-2
A						JET BLACK	2289729-1

- 1 HOUSING - POLYESTER PBT, COLOR: SEE TABLE, GLASS FILLED
 CPA - POLYESTER PBT, TRAFFIC RED, GLASS FILLED
 SECONDARY LOCK - POLYESTER PBT, WATER BLUE, GLASS FILLED
- 2 CABLE ASSEMBLY: SEE TABLE.
- 3 FEMALE INTERFACE PER ISO-20860-1, ISO-20860-2, SAE/USCAR-17, SAE/USCAR-18.
- 4 SECONDARY LOCK AND CPA IN PRESET POSITION. IF SECONDARY LOCK IS IN FULLY LOCKED POSITION, SEE 408-162008 FOR INSTRUCTIONS TO RESET SECONDARY LOCK TO PRESET POSITION.

THIS DRAWING IS A CONTROLLED DOCUMENT. DWN: D.J.HARDY 14APR2015, CHK: D.J.LANE 14APR2015, APVD: D.J.LANE 14APR2015

TE Connectivity

NAME: FEMALE KIT, CPA, 1 POSITION, FAKRA AUTOMATED

PRODUCT SPEC: 108-32137

APPLICATION SPEC: 114-32145

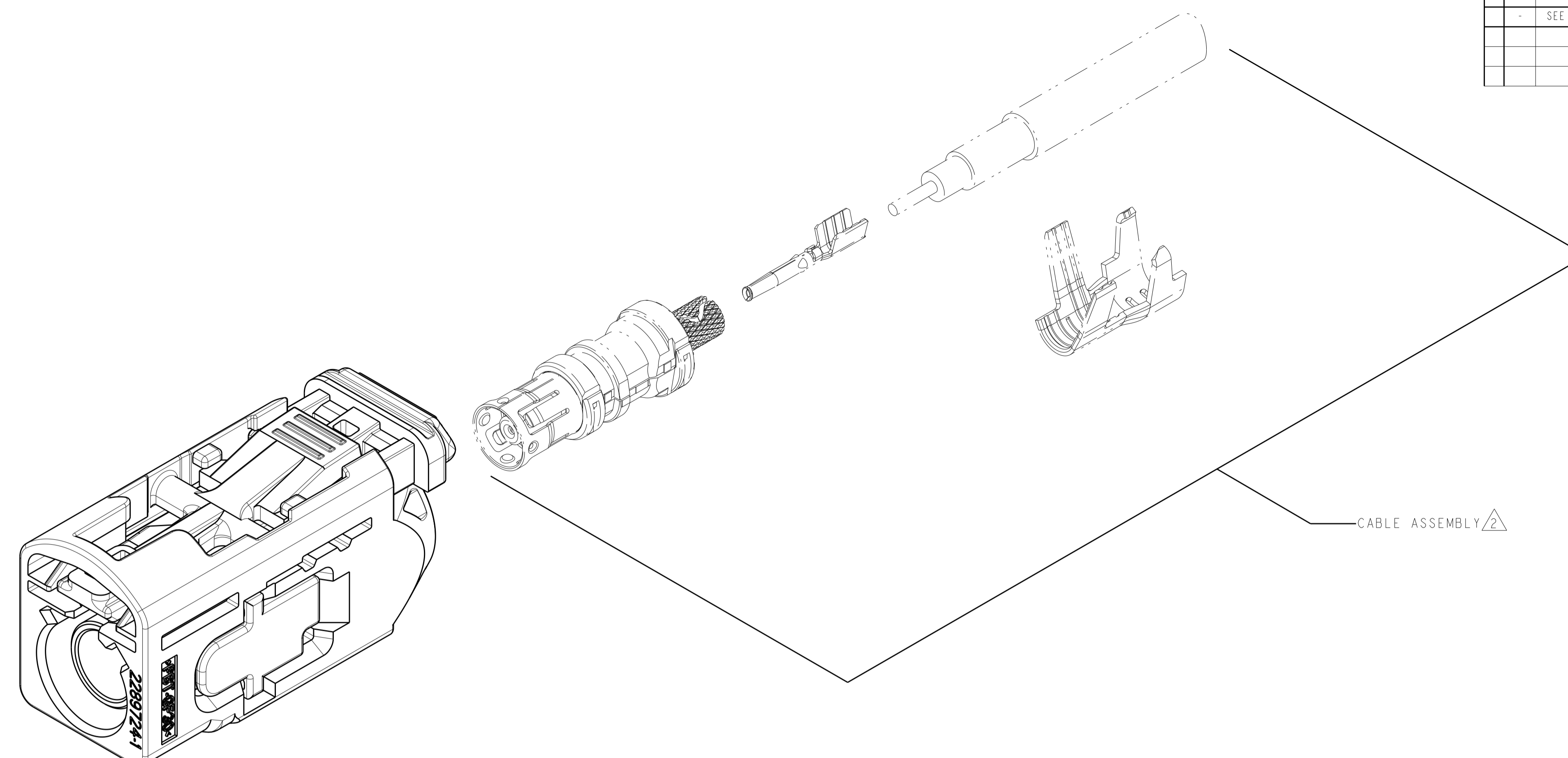
SIZE: A1, CAGE CODE: -

WEIGHT: -

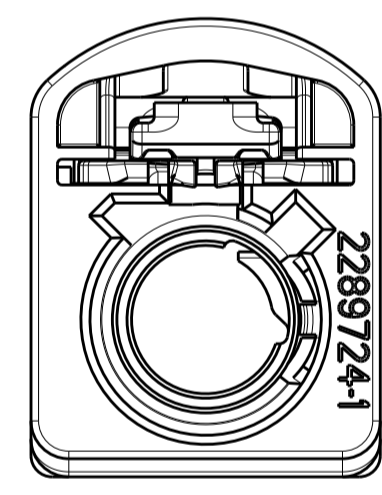
CUSTOMER DRAWING

SCALE: 8:1, SHEET 1 OF 2, REV A

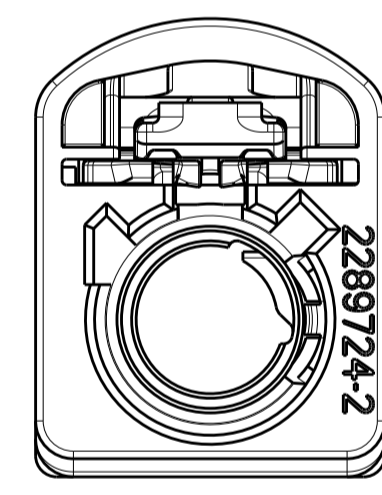
REVISIONS				
P.	LTN	DESCRIPTION	DATE	APVD
-		SEE SHEET 1	-	-



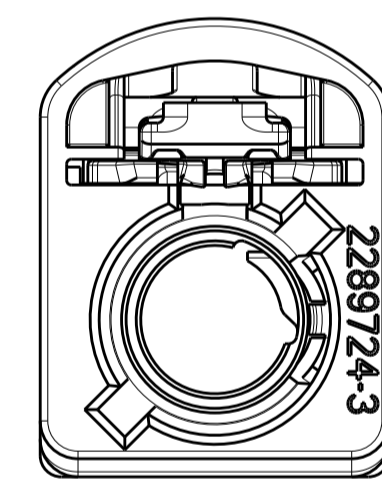
22897291 AS SHOWN
 SCALE 5:1



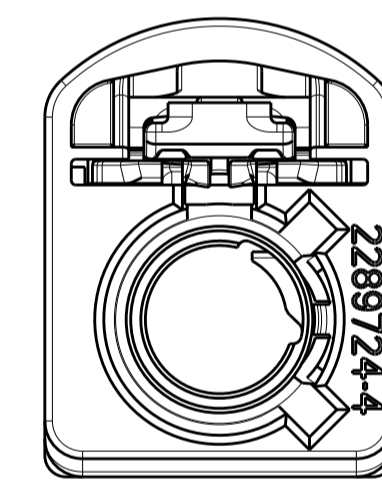
DETAIL A
 SCALE 4:1



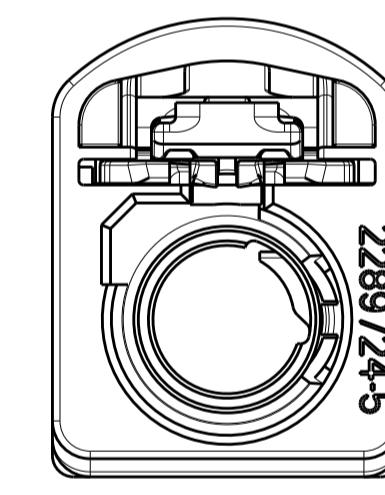
DETAIL B
 SCALE 4:1



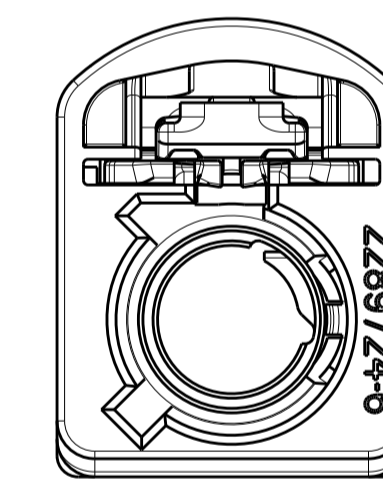
DETAIL C
 SCALE 4:1



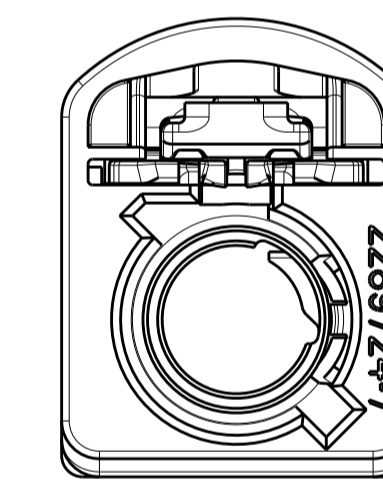
DETAIL D
 SCALE 4:1



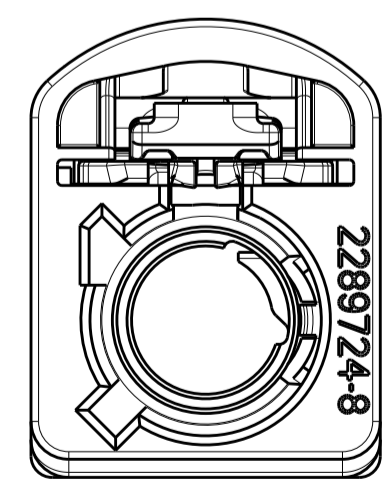
DETAIL E
 SCALE 4:1



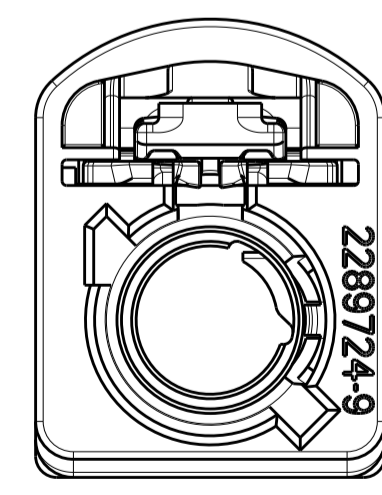
DETAIL F
 SCALE 4:1



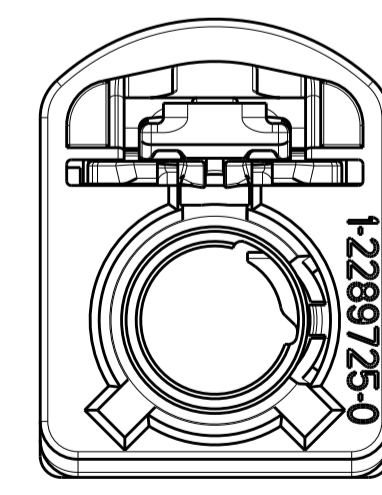
DETAIL G
 SCALE 4:1



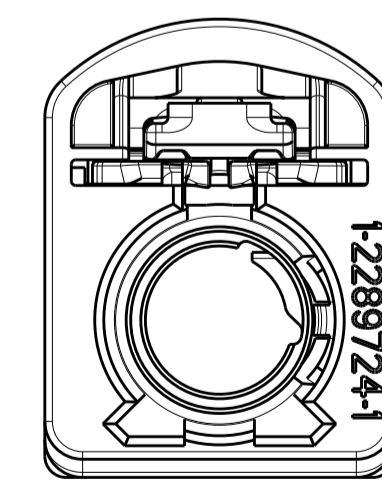
DETAIL H
 SCALE 4:1



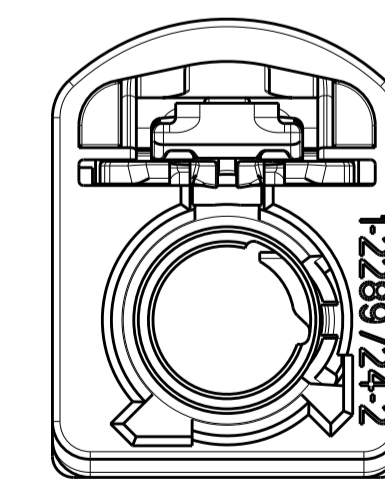
DETAIL I
 SCALE 4:1



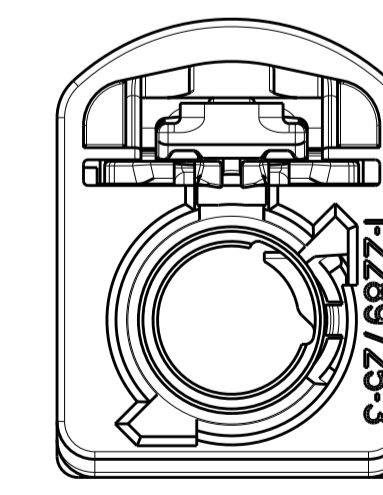
DETAIL K
 SCALE 4:1



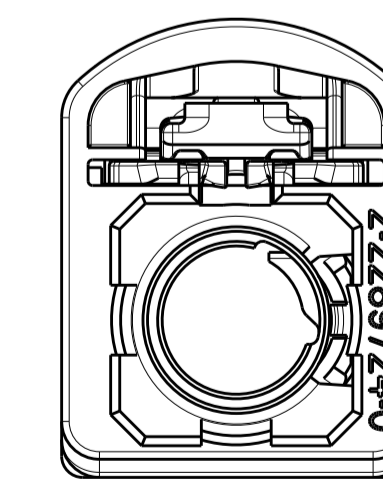
DETAIL L
 SCALE 4:1



DETAIL M
 SCALE 4:1



DETAIL N
 SCALE 4:1



DETAIL Z
 SCALE 4:1

THIS DRAWING IS A CONTROLLED DOCUMENT.		OWN D. J. HARDY 14APR2015	TE Connectivity
DIMENSIONS:		CHK D. J. LANE 14APR2015	
TOLERANCES UNLESS OTHERWISE SPECIFIED:		APVD D. J. LANE 14APR2015	
mm		PRODUCT SPEC	
0 PLC	±	108-32137	NAME FEMALE KIT, CPA, 1 POSITION, FAKRA AUTOMATED
1 PLC	±	APPLICATION SPEC	SIZE A1
2 PLC	±	114-32145	CAGE CODE C=2289729
3 PLC	±	WEIGHT	RESTRICTED TO
4 PLC	±	CUSTOMER DRAWING	SCALE 5:1 SHEET 2 OF 2 REV A
ANGLES	±		
FINISH	-		