

CONVERSION CHART	
INCH	MM
.002	0,05
.012	0,30
.022	0,56
.028	0,71
.039	0,99
.059	1,50
.079	2,00
.098	2,49
.100	2,54
.134	3,40
.138	3,51
.193	4,90
.217	5,51
.236	6,00
.295	7,50
.315	8,00
.374	9,50
.394	10,01
.709	18,01
.748	19,00
.866	22,00
.945	24,00
1.000	25,40

BCD COMPLEMENT CODE 137										
POS	0	1	2	3	4	5	6	7	8	9
C	x	x	x	x	x	x	x	x	x	x
1	x									
2	x	x								
4	x	x	x							
8	x	x	x	x	x	x	x	x	x	x

BCD CODE 131										
POS	0	1	2	3	4	5	6	7	8	9
C	x	x	x	x	x	x	x	x	x	x
1		x								
2			x							
4				x						
8									x	

DECIMAL CODE 111										
POS	0	1	2	3	4	5	6	7	8	9
C	x	x	x	x	x	x	x	x	x	x
0	x									
1		x								
2			x							
3				x						
4					x					
5						x				
6							x			
7								x		
8									x	
9										x

CHANGE OVER SWITCH CODE 400			
POS	C	A+	A-
+	x	x	
-	x		x
+	x	x	
-	x		x
+	x	x	
-	x		x
+	x	x	
-	x		x
+	x	x	
-	x		x

HEXADEcimal CODE 301																
POS	0	1	2	3	4	5	6	7	8	9	A	B	C	D	E	F
C	x	x	x	x	x	x	x	x	x	x	x	x	x	x	x	x
1		x														
2			x													
4				x												
8					x											

DPS8111AK	111	DECIMAL CODE (1 of 10)	0-9
DPS8131AK	131	1-2-4-8 BCD CODE	0-9
DPS8131AL	131	BCD, EXTENDED PCB FOR DIODES	0-9
DPS8137AK	137	BCD, COMPLEMENT CODE	0-9
DPS8137AL	137	BCD, COMPLEMENT, EXT. PCB FOR DIODE	0-9
DPS8400AK	400	SPDT, REPEATING READOUT, 10 POS.	+8-
DPS8131AKLS	131	BCD CODE, PC PINS AT REAR	0-9
DPS8131AKULS	131	BCD CODE, RIGHT ANGLE PC PINS	0-9
DPS8137AKLS	137	BCD COMPLEMENT CODE, PC PINS	0-9
DPS8137AKULS	137	BCD COMPLEMENT CODE, RIGHT ANGLE PC PINS	0-9
DPS8301AK	301	HEXIDECIMAL CODE (16 POS.)	0-9A-F
DPS8301AKLS	301	HEXIDECIMAL CODE (16 POS.) PC PINS	0-9A-F
DPS8301AKULS	301	HEXIDECIMAL CODE (16 POS.) RIGHT ANGLE PC PINS	0-9A-F
DPS8400AKLS	400	SPDT, 10 POS. REPEATING READOUT	+8-
DPS8400AKULS	400	SPDT, 10 POS. REPEATING READOUT RIGHT ANGLE PC PINS	+8-
MODEL NUMBER	CODE	DESCRIPTION	CHAR.

**SPECIFICATIONS:**

**MATERIALS:**  
CASE: PPO, BLACK MATTE FINISH.  
ACTUATOR BUTTONS: PPO, BLACK MATTE FINISH.  
WINDOW: THERMOPLASTIC RESIN.  
PCB: GLASS EPOXY TYPE, FR4  
MOVING CONTACT: COPPER ALLOY, GOLD PLATE OVER NICKEL.  
FIXED CONTACT: COPPER, GOLD PLATE OVER NICKEL.

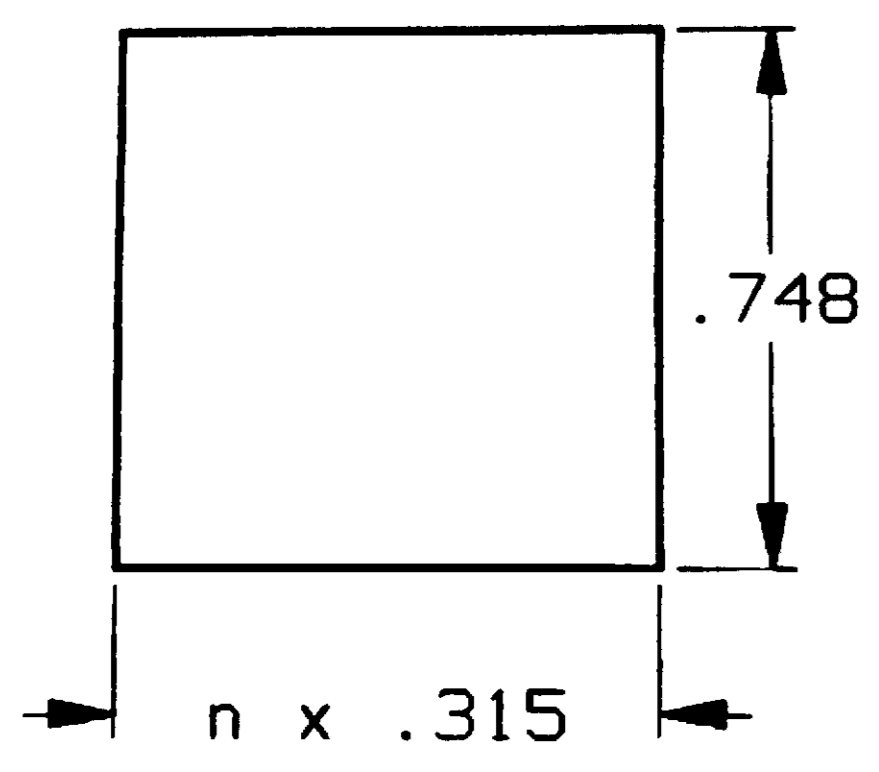
**TERMINALS:** COPPER, GOLD PLATE OVER NICKEL.

**ELECTRICAL:**  
CONTACT RATING: 0.4 VA @ 20 VDC OR PEAK AC.  
INITIAL CONTACT RESISTANCE: 0.15 OHMS MAX.  
LIFE EXPECTANCY: MORE THAN 10<sup>6</sup> OPERATIONS

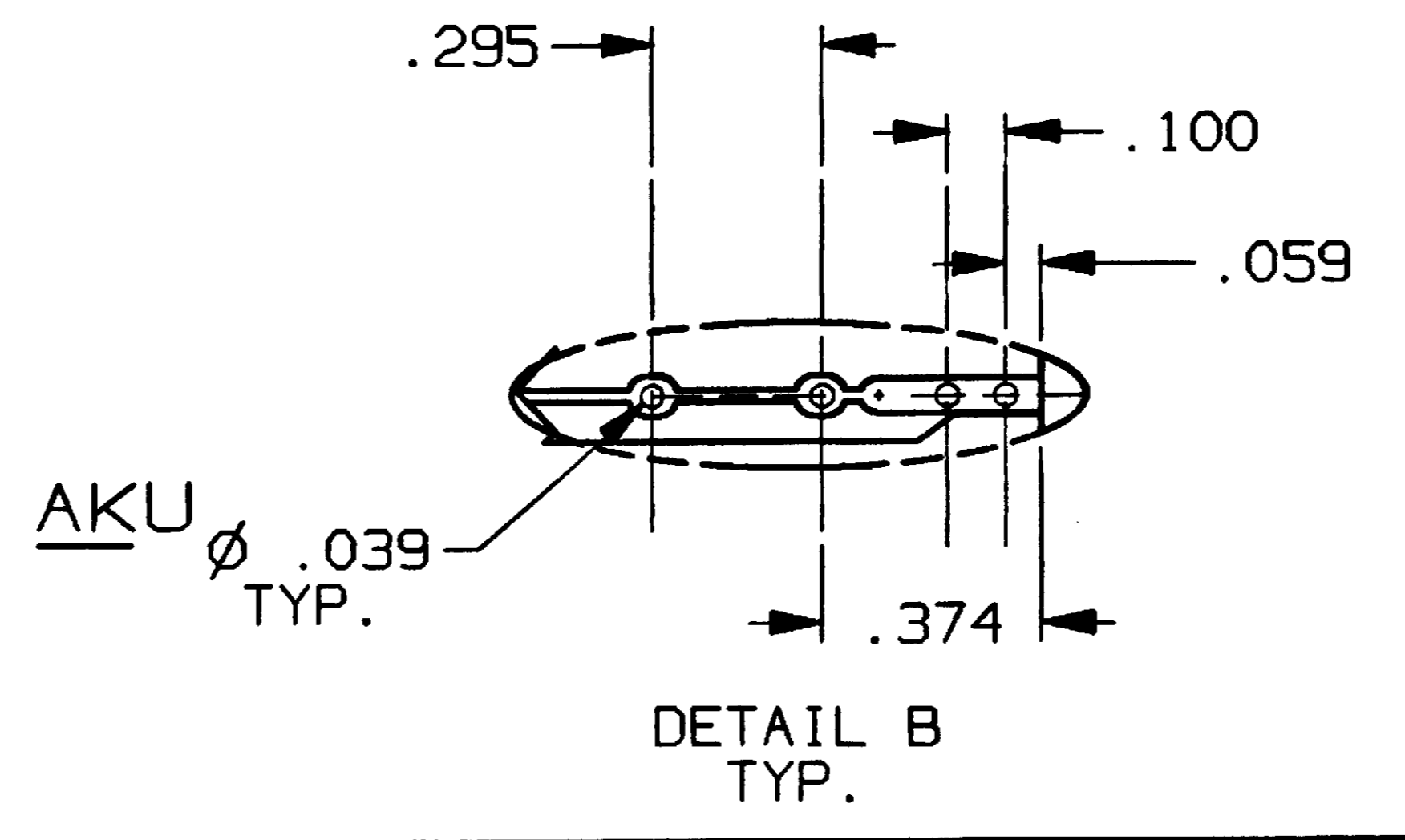
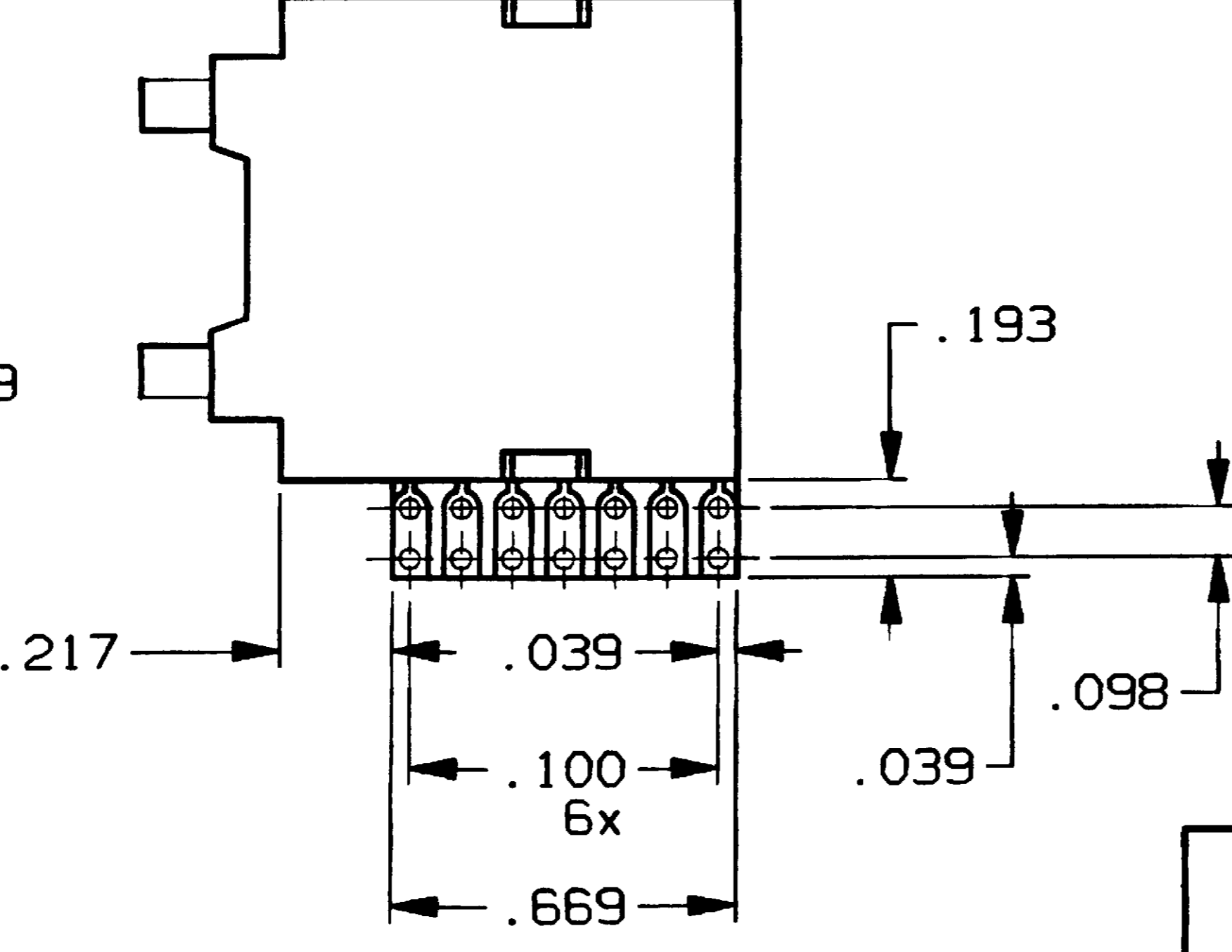
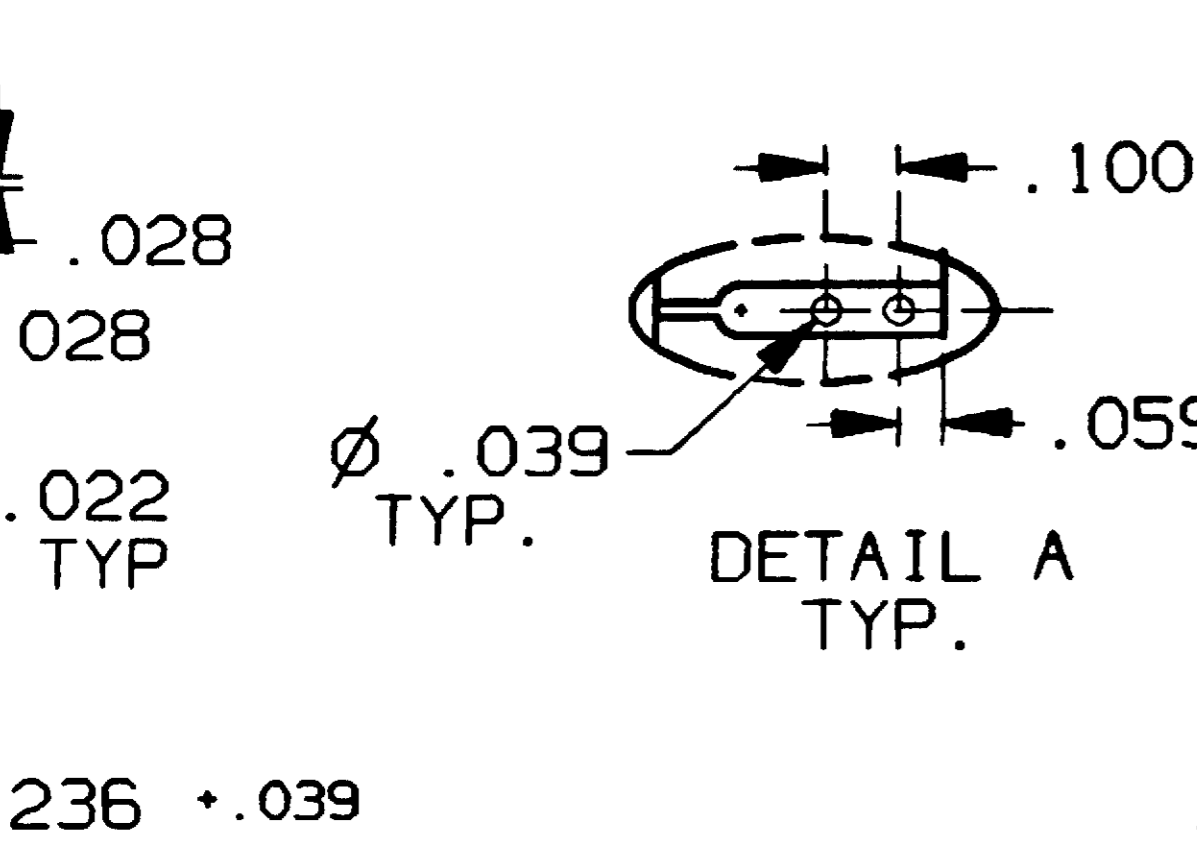
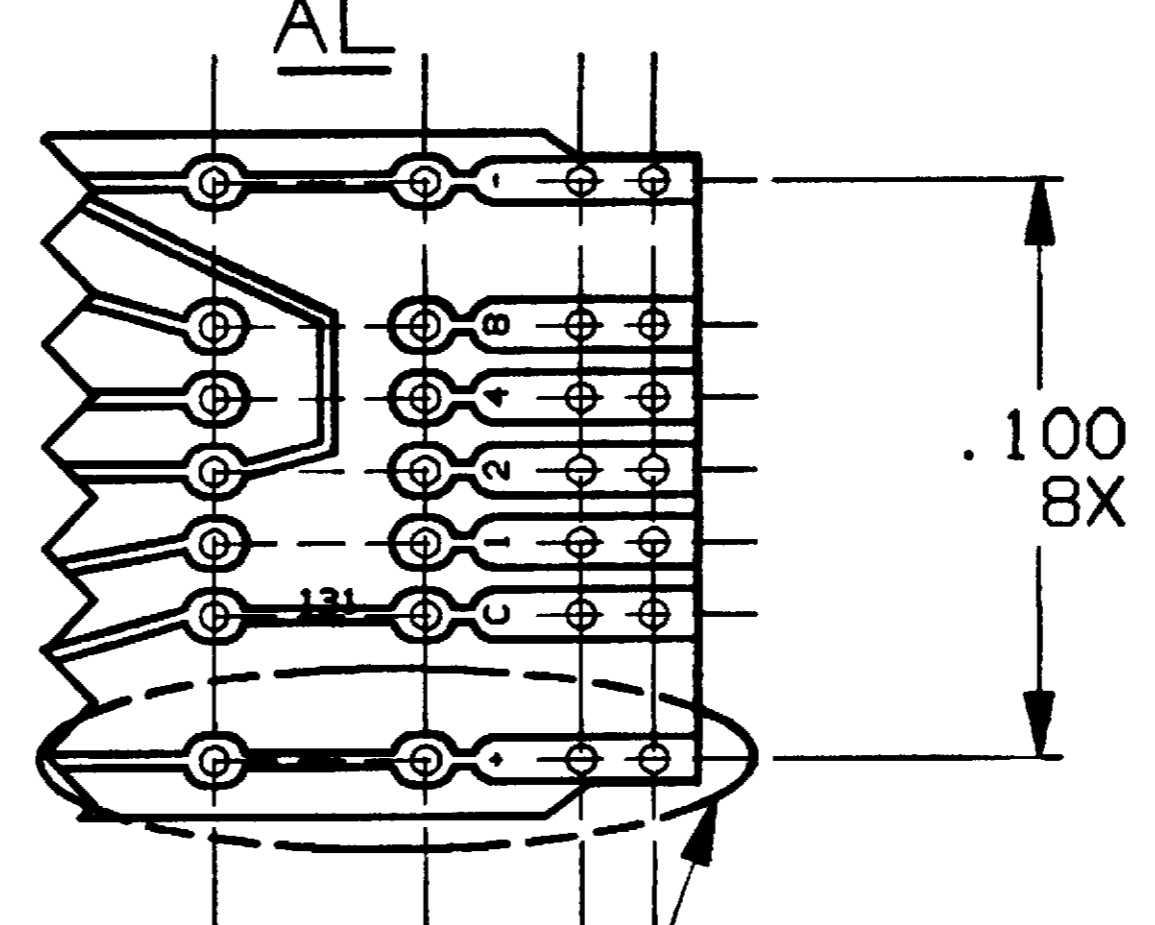
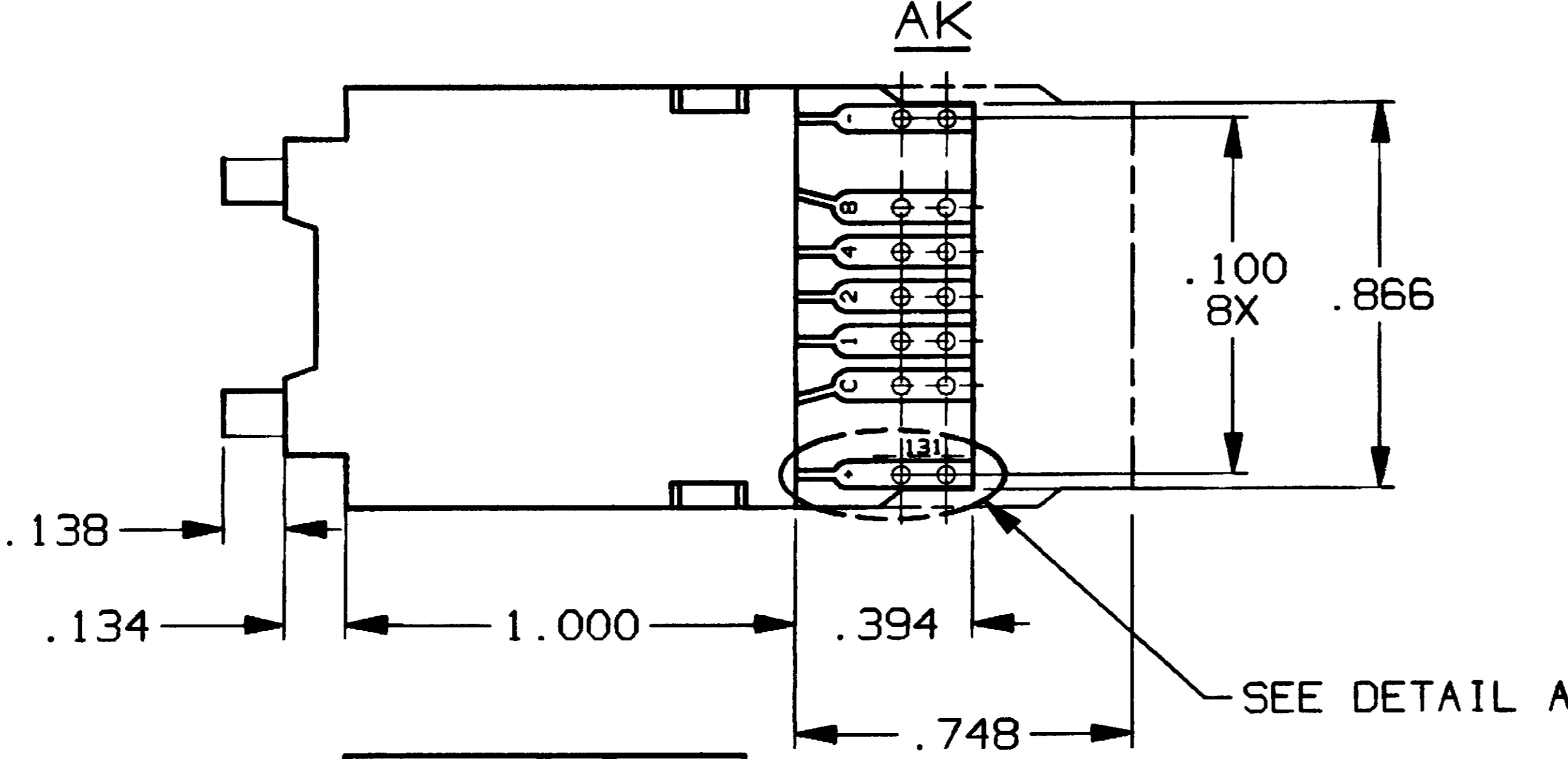
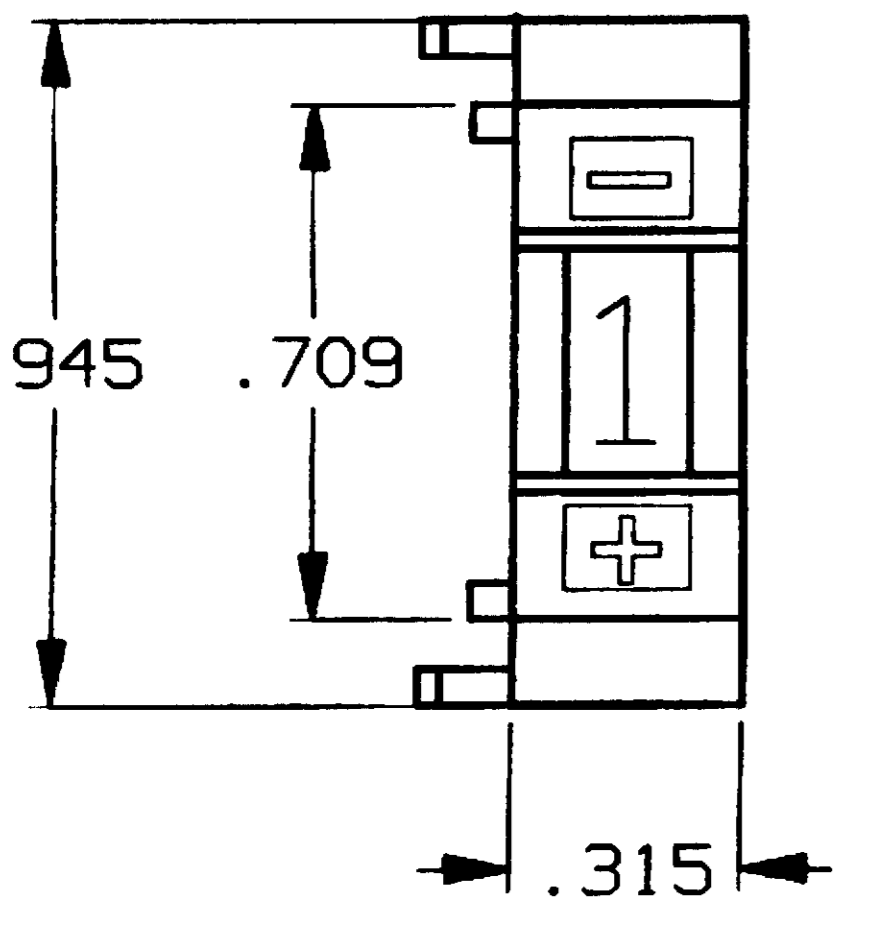
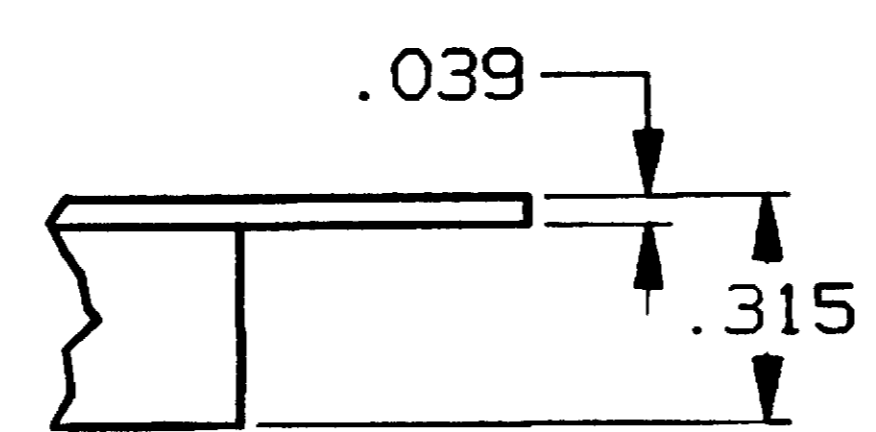
**MECHANICAL:**  
ACTUATION FORCE: APPROX. 14 oz. (4 N)

**ENVIRONMENTAL:**  
OPERATING TEMPERATURE: -4°F TO +176°F (-20°C TO +80°C)

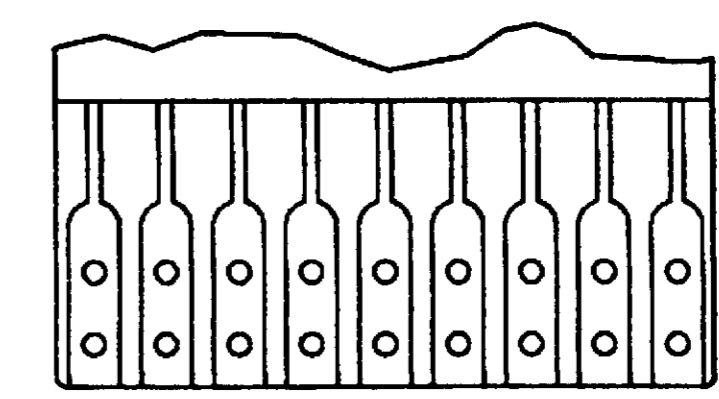
- NOTES:**
- INTERPRET DRAWING PER ASME Y14.5M-1994.
  - ASSEMBLED PARTS TO BE PACKAGED FOR SHIPMENT IN ITEMS ANTISTATIC TREATED TO MEET THE REQUIREMENTS OF AUGAT SPECIFICATION NO. SPEC 224.
  - CHARACTER COLOR: WHITE ON BLACK BACKGROUND. CHARACTER HEIGHT: 10/16 DIGIT, .193/.134.
- ⚠ OBSOLETE



n = NUMBER OF SWITCHES WITHOUT END PLATES  
**RECOMMENDED HOLE LAYOUT**  
TOLERANCE ±.002 UNLESS OTHERWISE NOTED



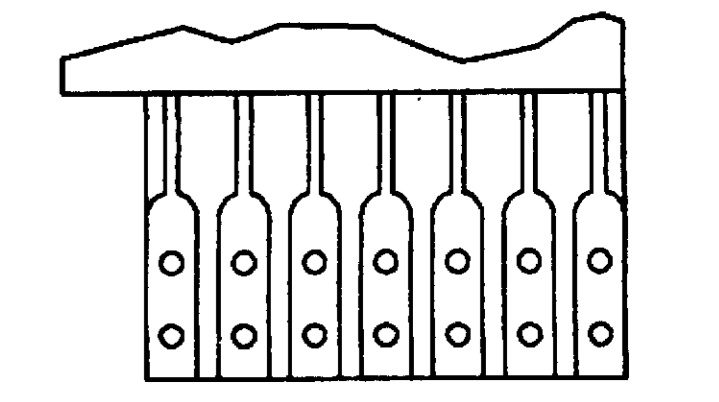
**MARKING DETAIL**



131+	C	1	2	4	8	-				
137+	C	1	2	4	8	-				
301+	1	2	C	8	4	-				
400+	C	A	A	A	A	-				
111	0	1	2	3	4	5	6	7	8	9

PITCH .079

**MARKING DETAIL**



131	C	1	2	4	8
137	C	1	2	4	8
301	C	1	2	4	8
400	C	+	-	-	-

SOLDER PINS FOR PRINTED CIRCUITS (ORDER DESCRIPTION LS)

**OUTLINE DRAWING**  
SPECIFICATIONS ARE SUBJECT TO CHANGES WITHOUT NOTICE

<p>THIRD ANGLE PROJECTION</p>	UNLESS OTHERWISE SPECIFIED DIMENSIONS ARE IN INCHES DO NOT SCALE PRINT		ORIGINAL DATE OF DRAWING: 3/25/81		
	TOLERANCES (EXCEPT AS NOTED) ANGULAR = ±1/2° DECIMAL .XX = DECIMAL .XXX = ±.012 DECIMAL .XXXX =	FILE NAME: 800230UT MATERIAL: SEE SPECIFICATIONS ABOVE FINISH: SEE SPECIFICATIONS ABOVE	DIRECTORY: CODSWITCH CHECKED: B. BUCKHEIT APPROVED: D. SARKISIAN	DRAWN: V.J. MARTIN DATE: 3/25/81 DATE: 3/26/81 DATE: 1/7/93	TE Connectivity <b>TE</b>
REV	DESCRIPTION	DATE	DWN	APR	TITLE: <b>OUTLINE DRAWING</b> CODE SWITCH DUAL PUSHBUTTON DPS-8 SERIES DWG. NO. <b>C-1-1437603-1</b> PRODUCT CODE: H13 SCALE: 2/1 SHEET 1 OF 1

B	REVISED PER ECO-14-002228	15MAY2014	NK	RH
REV	DESCRIPTION	DATE	DWN	APR