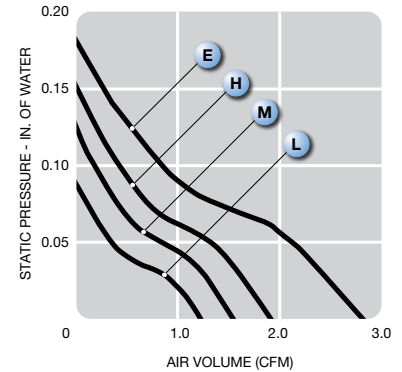
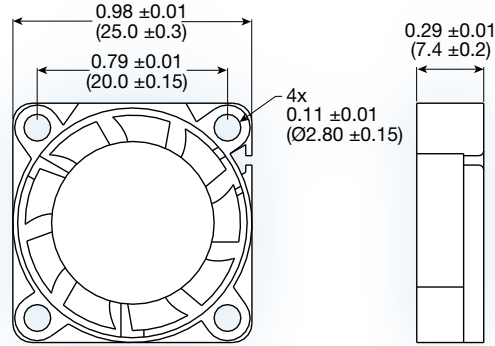


MS2507 series

**(25 x 25 x 7.4 mm)**

0.98 x 0.98 x 0.29 inches

Features: reverse polarity protection

Operating Voltage: 5 or 12 VDC

Construction: UL94V-0 plastic impeller and frame

Bearing option: sleeve or FDB bearing

Motor: brushless DC

Air Flow: air exhaust over struts

| Model No. | Rated Voltage VDC | Current A | | Speed RPM | Air Volume | | Max. Static Pressure (H ₂ O) | | Sound Noise dbA | Weight g |
|-----------|----------------------|--------------|------|--------------|----------------------|------|---|------|--------------------|-------------|
| | | 5 | 12 | | M ³ /Min. | CFM | MM | INCH | | |
| MS2507L | 5/12 | 0.11 | 0.05 | 7,000 | 0.035 | 1.22 | 2.28 | 0.09 | 20 | 5 |
| MS2507M | 5/12 | 0.17 | 0.08 | 10,000 | 0.044 | 1.55 | 3.05 | 0.12 | 24 | 5 |
| MS2507H | 5/12 | 0.23 | 0.10 | 14,000 | 0.054 | 1.90 | 3.81 | 0.15 | 28 | 5 |
| MS2507E | 5/12 | 0.30 | 0.20 | 17,000 | 0.080 | 2.81 | 4.57 | 0.18 | 31 | 5 |