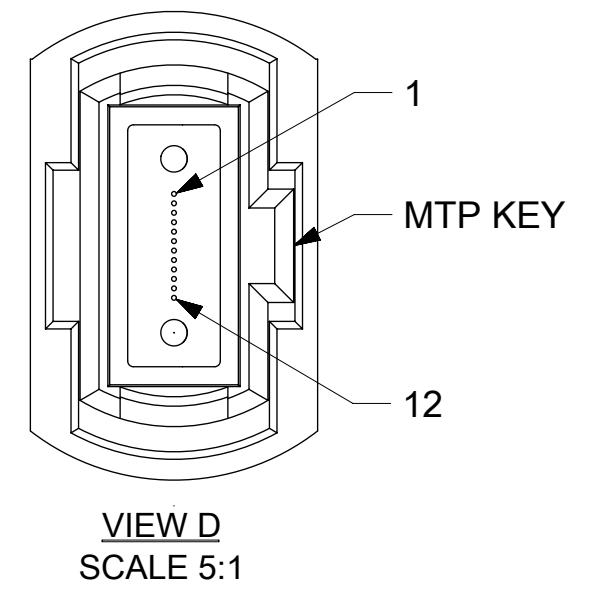
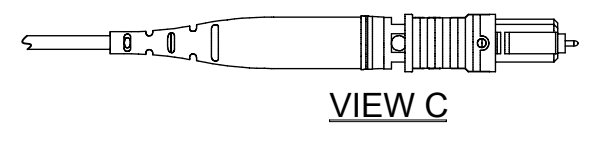
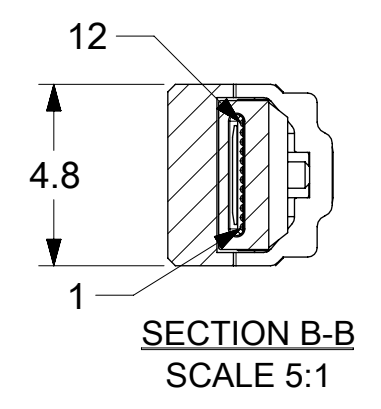
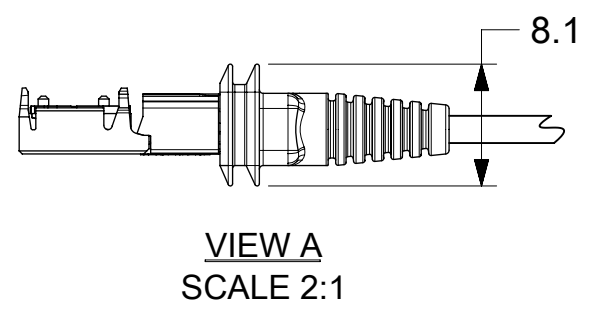
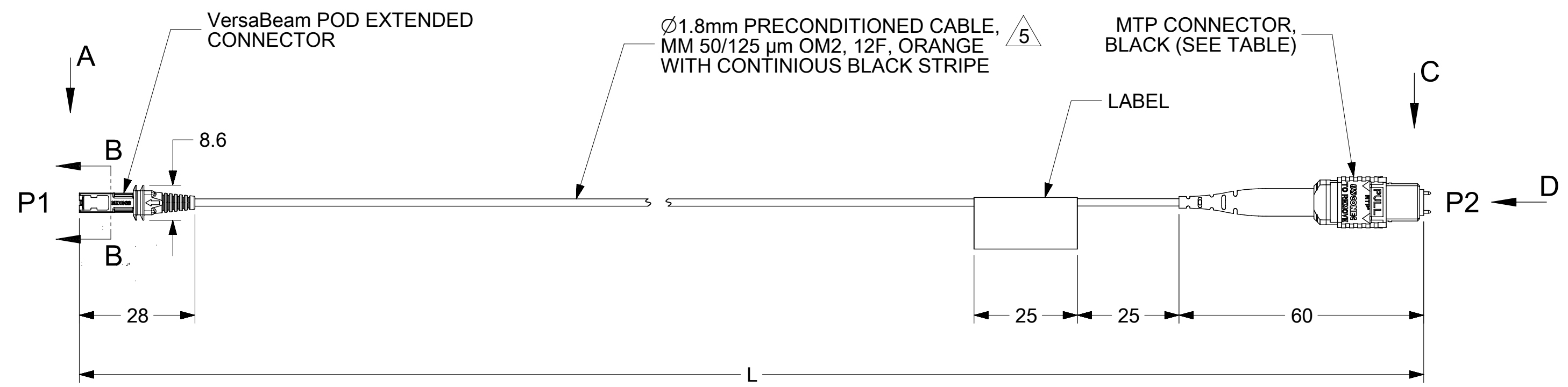


JUMPER P/N	OVERALL LENGTH, L (m)	MTP CONN. TYPE
1062673000	0.3 +0.1/-0	MALE
1062673001		FEMALE
1062673002	1.0 +0.2/-0	MALE
1062673003		FEMALE

CONNECTIONS	
FROM	TO
P1-1 THRU P1-12	P2-12 THRU P2-1



- NOTES:
- DUST CAPS ARE NOT SHOWN BUT INCLUDED. MALE MTP CONNECTOR IS SHOWN. FEMALE CONNECTOR DOES NOT CONTAIN PINS.
 - LABEL IS PRINTED WITH MOLEX NAME, P/N AND SERIAL NUMBER.
 - MAXIMUM INSERTION LOSS @ 850 nm TO AN INTERPOSER: 2.0 dB THROUGHPUT LOSS (MTP + VersaBeam POD): 1.2 dB

TEST DATA IS PROVIDED WITH EACH SHIPMENT.
 - ALL EXPOSED MATERIALS MEET UL94 V-0. CABLE RATING - OFNG-LS (UL1685).
 - TO PREVENT FIBER TWIST DURING INSTALLATION, USE BLACK STRIPE ON THE JACKET AS A REFERENCE OR THE CABLE/FIBER ORIENTATION.
 - THE 1.8mm CABLE JACKET IS FOR FIBER PROTECTION FOR ON-BOARD APPLICATIONS. THE TRANSITION FROM MTP TO 1.8mm CABLE ACTS AS A BEND LIMITER AND DOES NOT PROVIDE MECHANICAL STRAIN RELIEF.

FUNCTIONAL SYMBOLS	THIS DRAWING CONTAINS INFORMATION THAT IS PROPRIETARY TO MOLEX ELECTRONIC TECHNOLOGIES, LLC AND SHOULD NOT BE USED WITHOUT WRITTEN PERMISSION		CURRENT REV DESC:		molex
	DIMENSION UNITS	SCALE			
$\nabla_A = 0$	mm	1:1			VERSABEAM POD TO MTP JUMPER, MM 50/125, 12F 1.8MM CABLE
$\nabla_C = 0$	GENERAL TOLERANCES (UNLESS SPECIFIED)				
$\nabla_P = 0$	ANGULAR TOL $\pm 0.5^\circ$				PRODUCT CUSTOMER DRAWING
DIVISIONAL SYMBOLS	4 PLACES	\pm	EC NO: 641177	2020/01/13	
	3 PLACES	\pm	DRWN: IGUMIN	2020/07/13	
	2 PLACES	\pm	CHK'D: GGENCHANOK	2020/07/13	
	1 PLACE	\pm	APPR: GGENCHANOK	2020/07/13	
	0 PLACES	\pm	INITIAL REVISION:		
	DRAFT WHERE APPLICABLE MUST REMAIN WITHIN DIMENSIONS		DRWN: KPEVZNER	2012/02/22	
	THIRD ANGLE PROJECTION		APPR: IGUMIN	2012/02/23	
	DRAWING		SERIES	MATERIAL NUMBER	DOCUMENT NUMBER
	C-SIZE		106267	SEE TABLE	SD-106267-3000
	SHEET NUMBER		CUSTOMER		DOC TYPE DOC PART REVISION
	1 OF 1				PSD 001 C