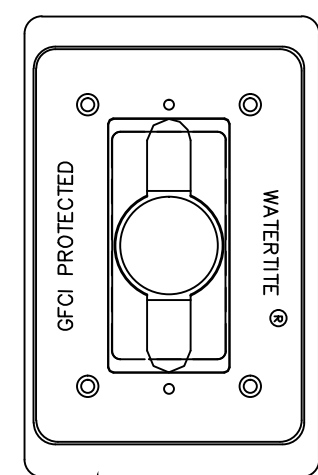
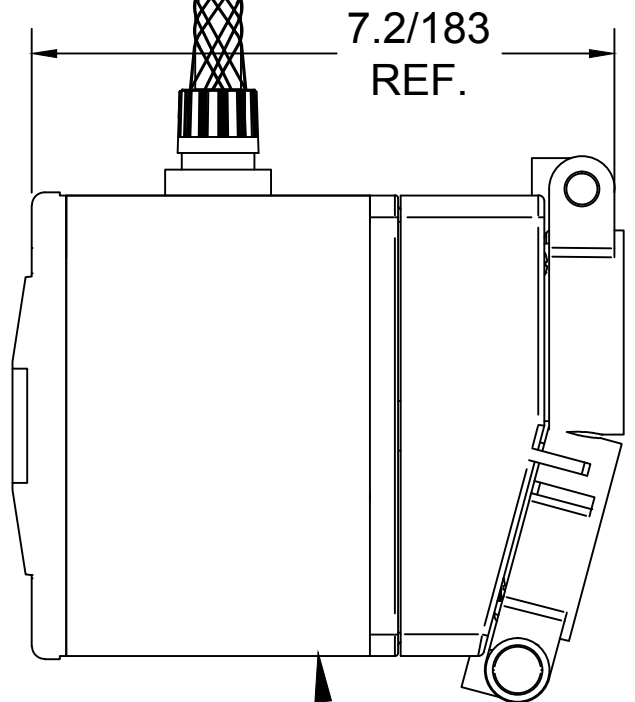


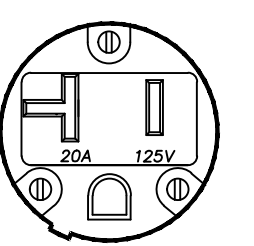
15.9/404 REF.

50 FT. 12-3 YELLOW SOOW CORD



FACE VIEW OF GFCI CLEAR SILICON COVERPLATE WITH 20A/125V GFCI

RUBBER OUTLET BOX COLOR: YELLOW



FACE VIEW OF RECEPTACLES NEMA 5-20R

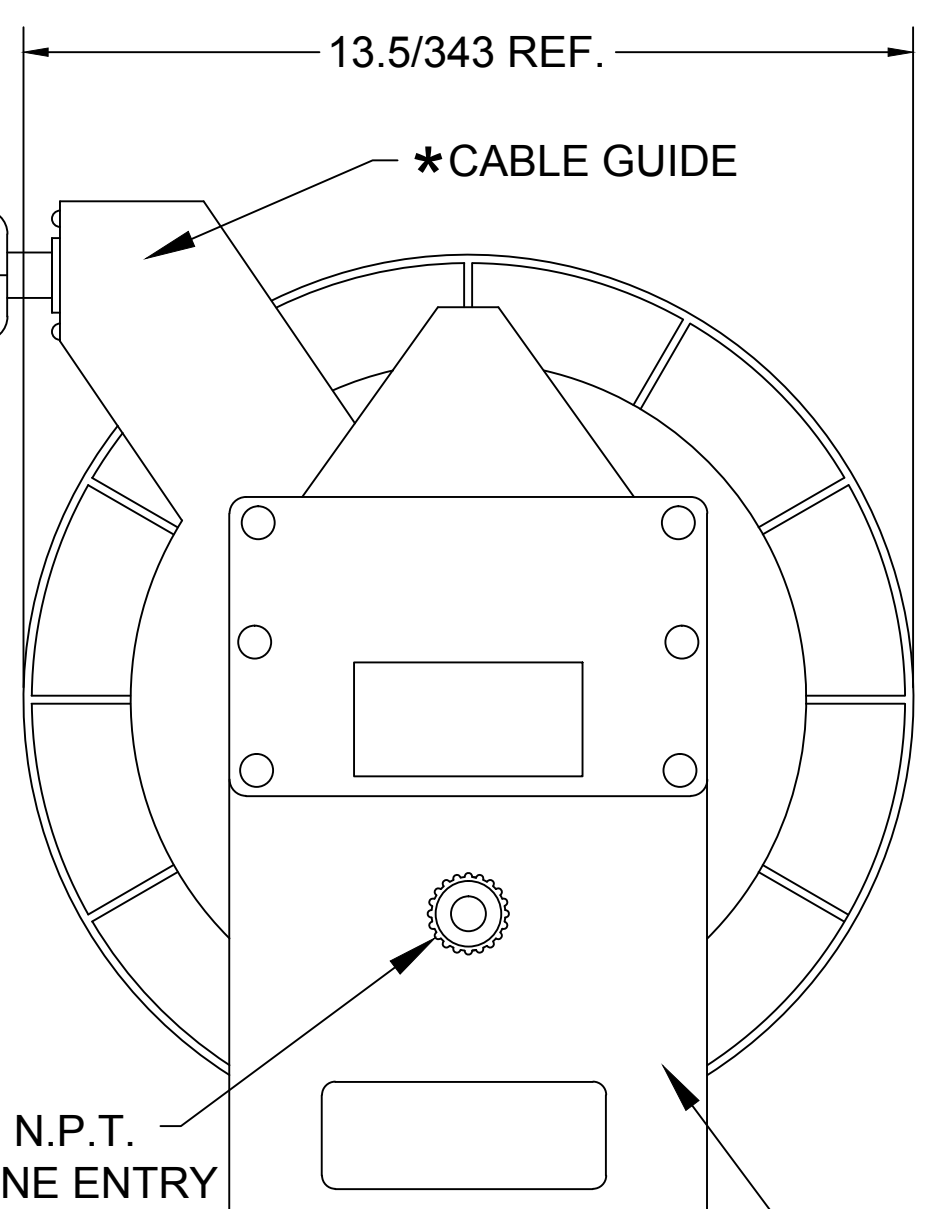
20A/125V 5-20R DUPLEX RECEPTACLE WITH LEXAN FLIP LIDS

STRAIN RELIEF WIRE MESH NON-METALLIC

4.7/119 REF.

3.12/79.2 REF.

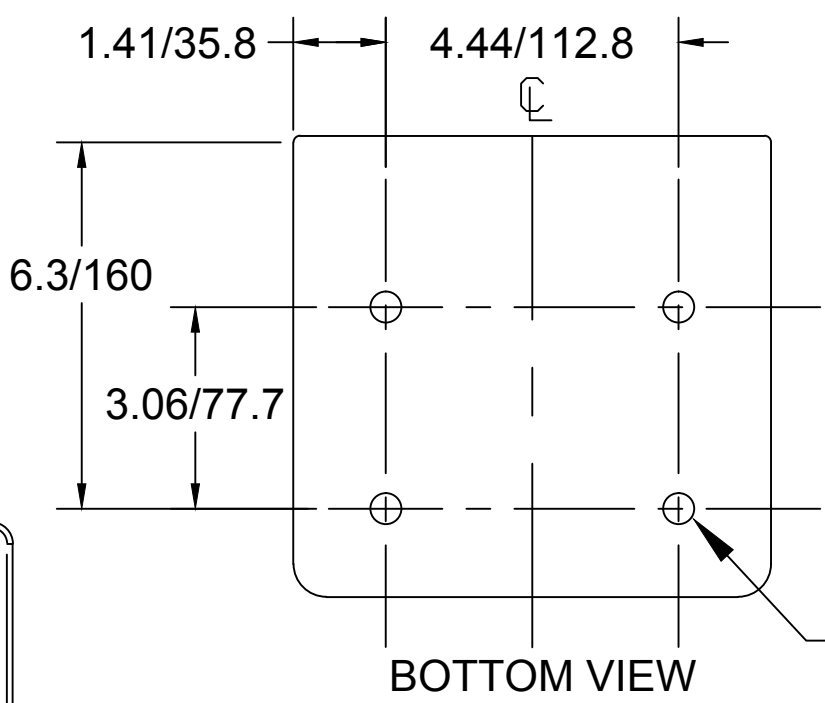
BALL STOP 9521



1" N.P.T. LINE ENTRY

*CABLE GUIDE

CORD REEL (92433)



BOTTOM VIEW

.47 THRU DIA., 4-PLACES MOUNTING HOLES

* CABLE GUIDE IS ADJUSTABLE EVERY 5 DEGREES OVER 270 DEGREE ARC.
 ** ELECTRICAL RATING: 18A, 120V

RELEASE SALES DRA EC NO.: IFC2015-0230 DRWN: HRUIZ01 2014/08/05 CH'KD: HKNEELAN 2014/08/05 APPR: JFMURPHY 2014/10/03	QUALITY SYMBOL	GENERAL TOLERANCES (UNLESS SPECIFIED)		DIMENSION STYLE INCH/MM		SCALE NTS	DESIGN UNITS INCH	THIRD ANGLE PROJECTION	
	▼=0	4 PLACES	mm	INCH	DRAWN BY	DATE	TITLE		
	▽=0	3 PLACES	±---	±---	HRUIZ01	2014/08/05	92433 CABLE REEL		
		2 PLACES	±.13	±.010	CHECKED BY	DATE	20A/125V GFCI OUTLET BOX		
		1 PLACE	±.25	±.020	HKNEELAN	2014/08/05	9521 CABLE STOP		
		ANGULAR ±1/2°		APPROVED BY	DATE	MOLEX INCORPORATED			
		DRAFT WHERE APPLICABLE MUST REMAIN WITHIN DIMENSIONS		JFMURPHY	2014/10/03	MATERIAL NO. 130083-0922		DOCUMENT NO. SD-130083-050	SHEET NO. 1 OF 1
		THIS DRAWING CONTAINS INFORMATION THAT IS PROPRIETARY TO MOLEX INCORPORATED AND SHOULD NOT BE USED WITHOUT WRITTEN PERMISSION							