



CAB451RF: IPEX MHF I PLUG + S/S TNC FEMALE STRAIGHT BULKHEAD JACK W/O-RING RATED TO IP67/68 + 1.37MM CABLE

SPECIFICATIONS:

1. I-PEX MHF I PLUG, GOLD PLATED, P/N: 20351-112R-37.
2. ϕ 1.37MM COAXIAL CABLE, COLOR: BLACK.
3. TNC STRAIGHT BULKHEAD JACK W/O-RING, W/SUS303 STAINLESS STEEL BODY, RATED TO IP67/68, P/N: RFCT-TNC018-F78 (SILICONE O-RING) OR RFCT-TNC018-F78-1 (EPDM O-RING).

ENVIRONMENTAL:

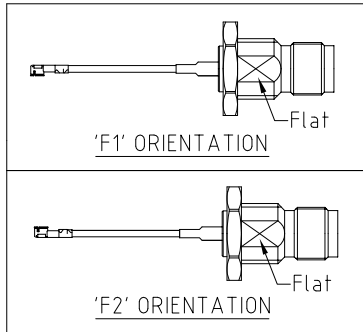
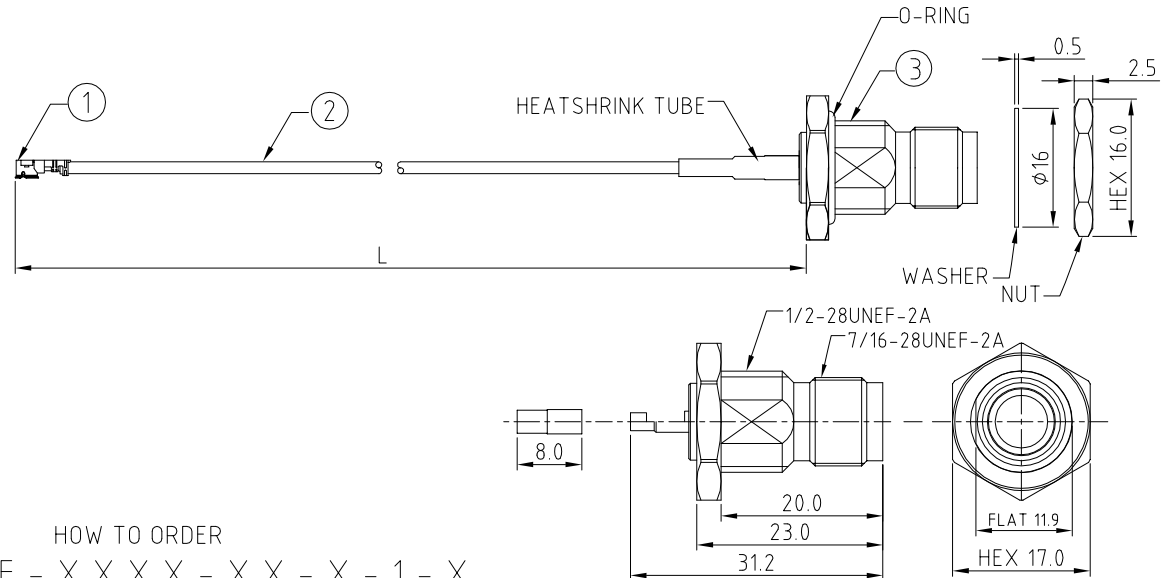
- A. BULKHEAD MOUNTED CONNECTOR (RFCT-TNC018-F78) RATED TO THE FOLLOWING SPECIFICATION:
- i. IP6X - DUST TIGHT - NO PARTICLE INGRESS.
 - ii. IPX7 WATERPROOF FOR 30 MINUTES UP TO 1 METER UNDERWATER.
 - iii. IPX8 WATERPROOF FOR 48 HOURS AT 1 METER UNDERWATER.

NOTES:

1. THE ORIENTATION OF CONNECTORS ON DRAWING IS FOR REFERENCE ONLY, IF THE ORDER IS LEFT BLANK THE CONNECTOR WILL NOT HAVE FIXED ORIENTATION.
2. FIXED ORIENTATION IS SUGGESTED FOR CABLE LENGTH 25MM TO 100MM. PLEASE SPECIFY THE FIXED ORIENTATIONS FROM THE ORDER CODE (F1, F2, ETC)
3. CONTACT GRADCONN IF THE ORIENTATION YOU REQUIRE IS NOT SHOWN.
4. WORKING FREQUENCY RANGE: DC-6GHz.
5. OPERATING TEMPERATURE: -40°C TO +85°C
6. IMPEDANCE: 50 OHM
7. IF THE CONNECTOR IS USED IN A CORROSIVE ENVIRONMENT, WE RECOMMEND THE CONNECTOR FACE IS PROTECTED WITH A STAINLESS STEEL DUST CAP.
8. PLEASE USE THE RECOMMENDED TORQUE FORCES FOR STAINLESS STEEL CONNECTORS. THIS IS PUBLISHED ON GRADCONN.COM RESOURCES PAGE.

USAGE PRECAUTIONS: CABLES USING 'MICRO' COAX ARE DELICATE:

- (i) HANDLE WITH CARE.
- (ii) DO NOT TWIST; APPLY EXCESSIVE FORCES OR SHARP BENDS TO THE CABLE. DO NOT FORCEFULLY DEFORM WIRES.
- (iii) CONSULT CONNECTOR MANUFACTURER'S DATASHEETS FOR DETAILED NOTES ON HANDLING INSTRUCTIONS.



HOW TO ORDER
CAB451RF - XXXX - XX - X - 1 - X

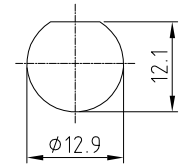
"L" LENGTH IN MM:
 eg: 100MM = 0100
 (MIN. 0025-MAX.0400)
 STANDARD = 0100, 0150, 0200
 Tolerance: 50mm: \pm 2mm.
 51-200mm: \pm 5mm.
 201-400mm: \pm 7mm.

O-RING MATERIAL OPTIONS:
 S = SILICONE, BLACK
 E = EPDM, BLACK (STANDARD)

WASHER AND NUT OPTIONS:
 BLANK = SEPARATELY PACKED (STANDARD)
 A = ALL ASSEMBLED WITH CONNECTOR

ORIENTATION OPTIONS:
 BLANK = DOES NOT HAVE A FIXED ORIENTATION
 F1 = MHF CONNECTION DOWN (L=25-200MM)
 F2 = MHF CONNECTION UP (L=25-200MM)
 (SEE NOTES 1, 2, 3 AND DIAGRAMS FOR MORE INFORMATION)

TNC DETAIL DRAWING



RECOMMENDED TNC MOUNTING HOLE
 (TOLERANCE: \pm 0.1)

10	REV. DATE & DRN
11	22/03/21 - NYW RELEASE
12	ADD NBR O-RING OPTION
13	ADD NOTE 7
14	21/07/21 - NYW
15	21/07/22 - NYW
16	21/05/23 - NYW
17	20/05/23 - NYW
18	ADD EPDM O-RING OPTION

Scale:	NTS	THIRD ANGLE	Unstated .X .XX .XXX ANGLES	Tolerances: N/A N/A N/A N/A
Drawn:	NYW			
App'd:	XXX	Title	CABLE ASSEMBLY	
Date:	30 MAY '23	Revision:	1.7	Unit: mm

IP67/68 Rated Cables

www.gradconn.com

© THIS DRAWING IS CONFIDENTIAL AND MUST NOT BE COPIED OR DISCLOSED WITHOUT WRITTEN CONSENT

Drawing Number:	
CAB451RF	
Sheet 1	of 1
Drawing ©	E and O.E