



MADE IN THE USA

Product Description:

- Hand & Nail Brush Dispenser
- Holds one box of hand and nail brushes
- Keyholes for wall mounting
- Stainless Steel

Primary Area for Product Usage:

- Surgical/procedure areas
- Anywhere hand and nail brushes are needed

Dispenses:

- Box(es) no larger than 5.25"W x 20.00"H x 5.25"D (13.3 cm x 50.8 cm x 13.3 cm)
- Box(es) no smaller than 4.75"W x 8.00"H x 5.00"D (12.1 cm x 20.3 cm x 12.7 cm)

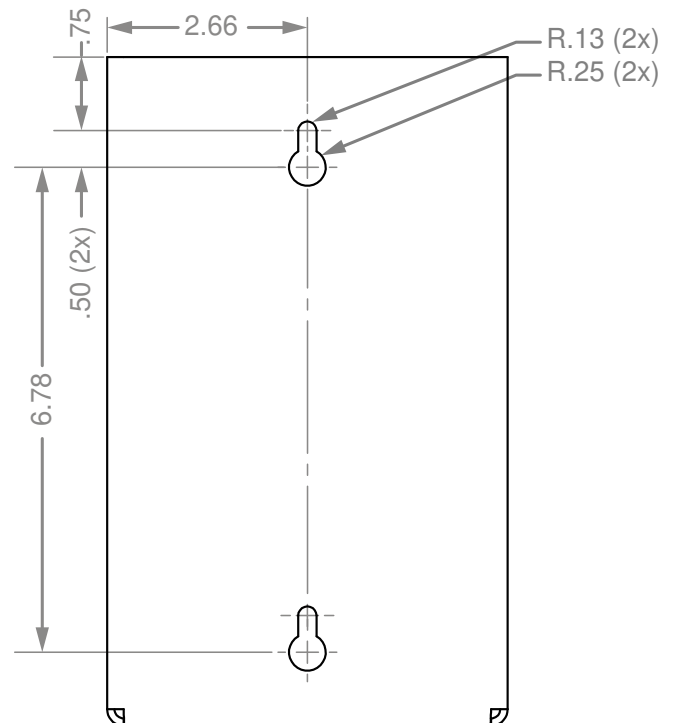
Package Specifications:

- Package Quantity: 6 per case
- 16"L x 12"W x 12"H (40.6 cm x 30.5 cm x 30.5 cm)
- 11.0 lbs (5.0 kg) - approximated

Product Specifications (overall external dimensions):

- 5.31"W x 9.03"H x 5.31"D (13.5 cm x 22.9 cm x 13.5 cm)
- 1.4 lbs (0.6 kg) - approximated

Mounting Specifications:



Companion Products (each sold separately):

- CL007-0212: Hand & Nail Brush Dispenser, ABS Plastic (shown below)

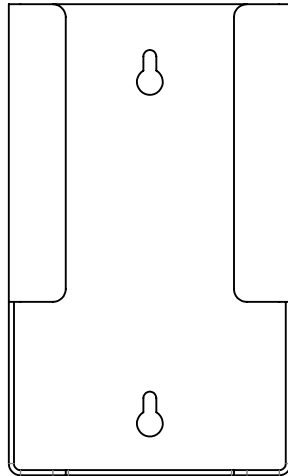




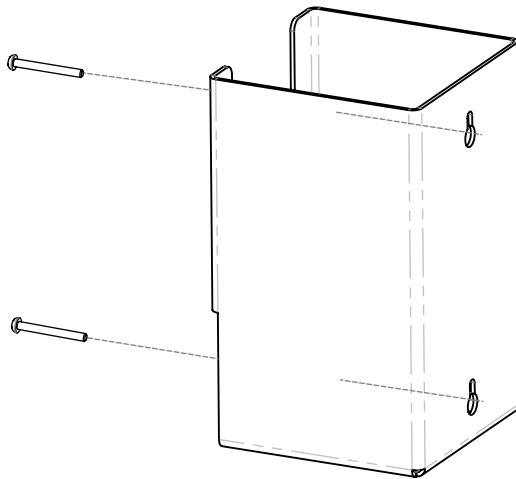
Installation

Always mount dispensers securely *prior* to loading with product.

- Wide, open front design allows for most box openings.
- High sides hold tall boxes.



- Mount securely to a wall with screws approved and supplied by building maintenance.



Parts included:

- Dispenser

Tools Required:

- No tools required to assemble dispenser

Characteristics & Care

Stainless Steel

Material Characteristics

Designed for Long-Term, Heavy-Duty Applications

Stainless steel is used overwhelmingly for its corrosion and oxidation resistance characteristics. Along with being sturdy, stainless steel is also fire and heat resistant.

The work-hardening properties of stainless steel gives the material a great strength-to-weight advantage over other materials. It also provides impact resistance and high toughness in extreme temperatures.

Stainless steel has a bright, stain resistant surface and pleasing aesthetic appearance.

Care and Cleaning

Stainless steel resists a variety of common chemicals and cleaning agents. Clean using warm water, a gentle detergent, and soft cloth.

Standard hospital cleaning supplies are approved for use on our stainless steel products. Dry thoroughly to avoid spotting. Do not use steel wool.