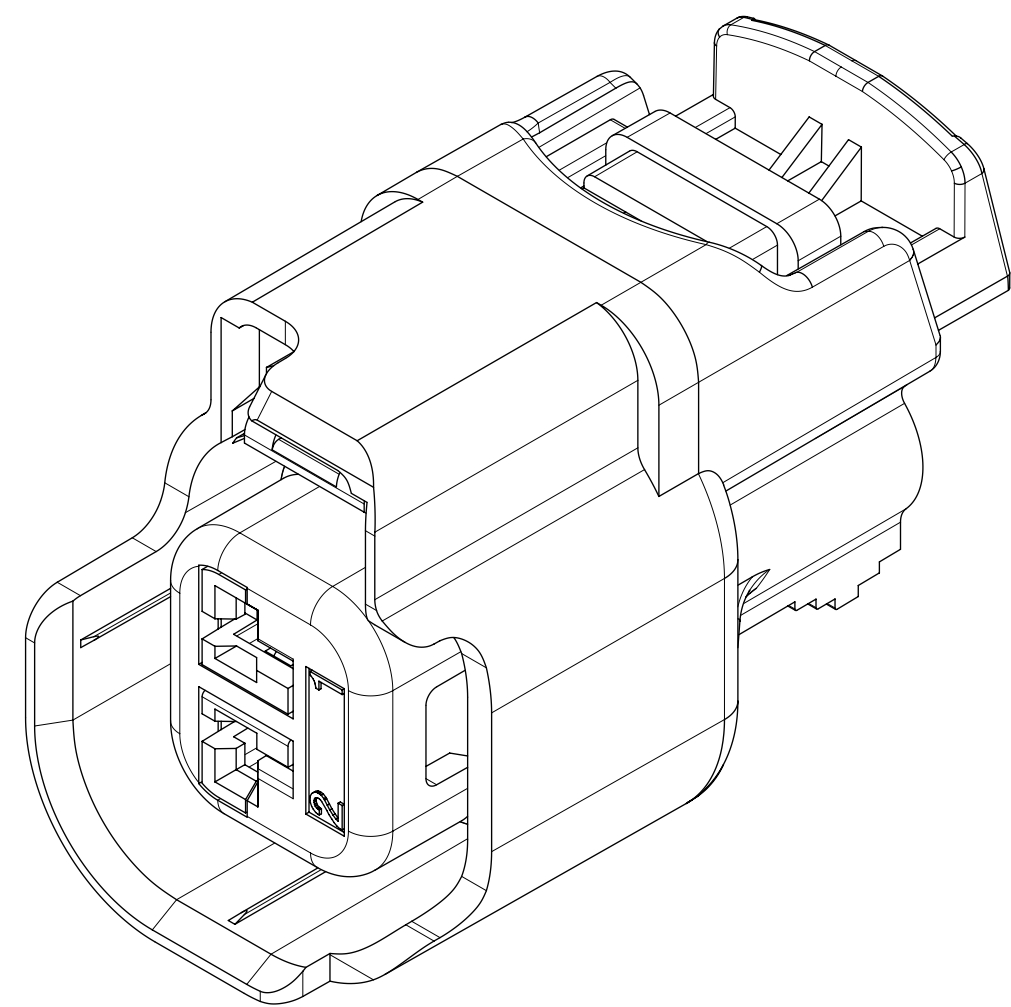
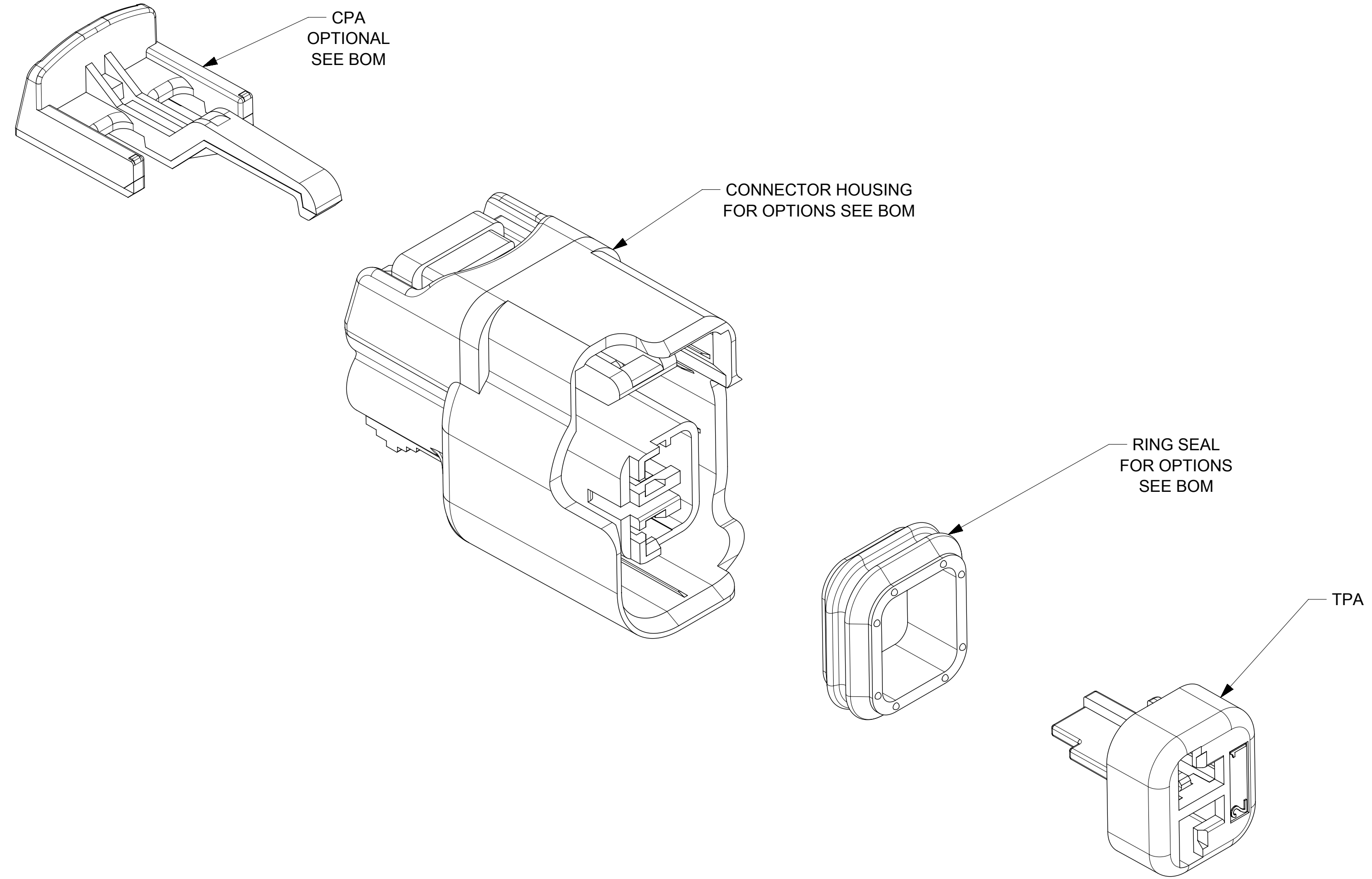


| TABLE OF CONTENTS |                               |
|-------------------|-------------------------------|
| SHEET NO.         | SHEET DESCRIPTION             |
| 1                 | NOTES                         |
| 2, 3              | CONFIGURATIONS                |
| 4                 | RECEPTACLE CONNECTOR ASSEMBLY |
| 5                 | MOLEX INTERFACE               |

NOTES: VALID UNLESS OTHERWISE SPECIFIED

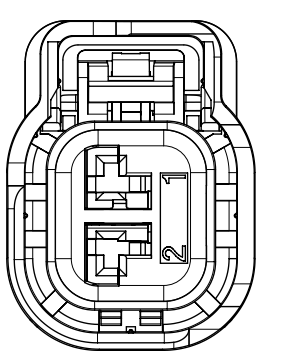
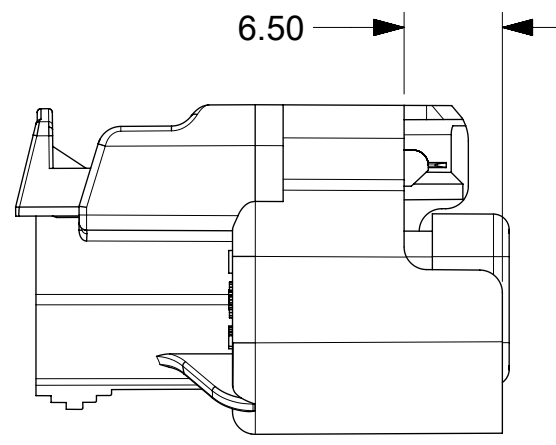
1. GENERAL:
- a. APPLICATION SPECIFICATION SEE: AS-34062-000
    - CONTAINS: PRODUCT INTRODUCTION, PRODUCT SUMMARY, CONNECTOR ASSEMBLY, PACKAGING INFORMATION, CONNECTOR MATING, SERVICE INSTRUCTIONS, ELECTRICAL CONTINUITY CHECKING, CRIMPING, AND TROUBLESHOOTING.
    - DESIGNED TO MATE WITH DEVICE CONNECTION AS SPECIFIED IN DRAWING EWCAP 150-S-002-1-Z01. AVAILIBLE AT <http://ewcap.uscarteams.org/>.
    - DESIGNED TO MATE WITH BLADE SEALED ASSEMBLY AS SPECIFIED IN DRAWING: SD-34675-001
    - ASSEMBLY SHIPPED WITH TPA IN PRE-LOCK (SEE TPA PRE-LOCK VIEW IN SHEET 4)
  - b. PRODUCT SPECIFICATION SEE: PS-34062-000
    - CONTAINS: SCOPE, PRODUCT DESCRIPTION, INTEGRAL COMPONENTS AND ACCESSORIES, APPLICABLE DOCUMENTS AND SPECIFICATIONS, RATINGS, PERFORMANCE, PACKAGING, GAUGE AND FIXTURES, AND OTHER INFORMATION.
  - c. PACKAGING SPECIFICATION PER MOLEX DRAWING: PK-30907-879
  - d. PARTS MUST BE IN COMPLIANCE TO MOLEX CHEMICAL SUBSTANCES FOR PRODUCTS AND PACKAGING SPECIFICATION: QEHS-699000-301
  - e. DATA MUST BE SUBMITTED UNDER THE MOLEX PART NUMBER TO IMDS (COMPANY ID#13255)
2. DESIGN - MATERIALS:
- a. SEE BOM TABLE IN SD-34062-004
3. DESIGN - GEOMETRY:
- a. THIS IS A 100% CAD GENERATED PART. THE CAD MATHEMATICAL DATA IS THE MASTER FOR THIS PART. FOR DIMENSIONAL OR ANY INFORMATION NOT SHOWN ON THIS DRAWING, ANALYZE THE CAD MODEL.
  - b. GEOMETRIC DIMENSIONS AND TOLERANCES PER ASME Y14.5M - 1994
  - c. EDGES AND UNDIMENSIONED DETAILS PER ISO13715
  - d. CORNERS SHOWN AS SHARP TO BE R 0.2 MAX.
  - e. LETTERING SHALL BE 0.15 MAX RAISED IN 0.25 MAX RECESS PAD. THIS INCLUDES RECYCLING CODE, CAVITY ID, VENDOR IDENTIFICATION, AND CUSTOMER MATERIAL NUMBER.
  - f. VISUAL DEFECTS SHALL MEET COSMETIC STANDARD PS-45499-002 (Class B)
  - g. LASER MARKING: TBD



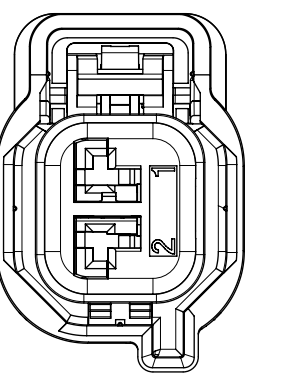
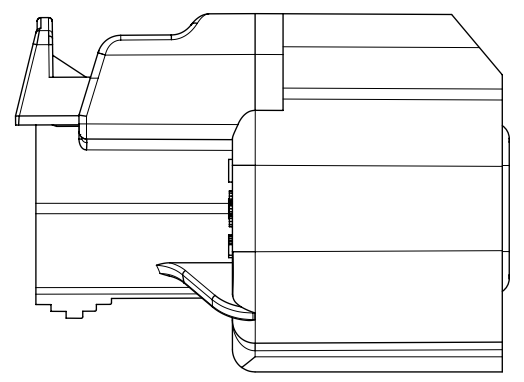
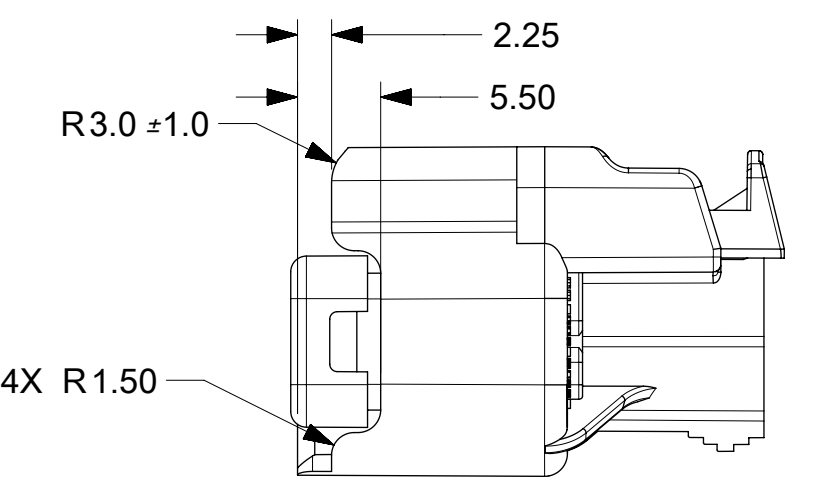
|      |                  |
|------|------------------|
| J19  | NX RE-MASTERING  |
| J18  | ADDED DIM ICD 64 |
| REV. | DESCRIPTION      |

|   |  |  |  |  |  |  |  |
|---|--|--|--|--|--|--|--|
| THIS DRAWING CONTAINS INFORMATION THAT IS PROPRIETARY TO MOLEX ELECTRONIC TECHNOLOGIES, LLC AND SHOULD NOT BE USED WITHOUT WRITTEN PERMISSION |  | DIMENSION UNITS<br><b>MM</b>                                   |  | SCALE<br><b>4:1</b>  |  |  |  |
| GENERAL TOLERANCES (UNLESS SPECIFIED)   |  | DRWN BY<br><b>KCUNNINGHAM</b>                                  |  | DATE<br><b>2011/11/08</b>  |  |  |  |
| ANGULAR TOL ± 3.0 °   |  | CHKD BY<br><b>MVANSLAMBROU</b>                                 |  | DATE<br><b>1/26/2012</b>   |  | <b>PRODUCT CUSTOMER DRAWING</b>        |  |
| 4 PLACES ±  |  | APPR BY<br><b>KDEKOSKI</b>                                     |  | DATE<br><b>2017/06/14</b>  |  |  |  |
| 3 PLACES ±  |  | DRAWING SIZE<br><b>D</b>                                       |  | THIRD ANGLE PROJECTION   |  | MATERIAL NUMBER<br><b>SEE NOTE 2a</b>  |  |
| 2 PLACES ± 0.1  |  | DRAFT WHERE APPLICABLE MUST REMAIN WITHIN DIMENSIONS           |  | CUSTOMER<br><b>GENERAL MARKET</b>  |  | DOCUMENT NUMBER<br><b>SD-34062-002</b> |  |
| 1 PLACE ± 0.3   |  | EC NO: 117955<br>DRWN: PKABBUR<br>CHKD: KDEKOSKI<br>REV: APPR: |  | J19  |  | DOC TYPE<br><b>PSD</b>                 |  |
| 0 PLACES ±  |  | PER DRAWING REVISION: J18                                      |  | LAST BALLOON NUMBER USED: ICD 64   |  | DOC PART<br><b>000</b>                 |  |
| INSPECTION BALLOON NUMBER LOG   |  | ADDED BALLOON NUMBERS: ICD 64                                  |  | REMOVED BALLOON NUMBERS: ICD 7, ICD 8, ICD 9, ICD 18, ICD 19, ICD 20, ICD 41, ICD 42 |  | SHEET NUMBER<br><b>1 OF 5</b>          |  |

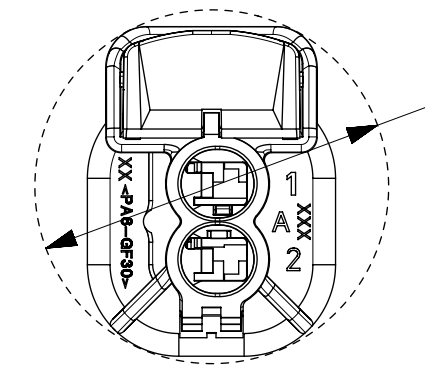
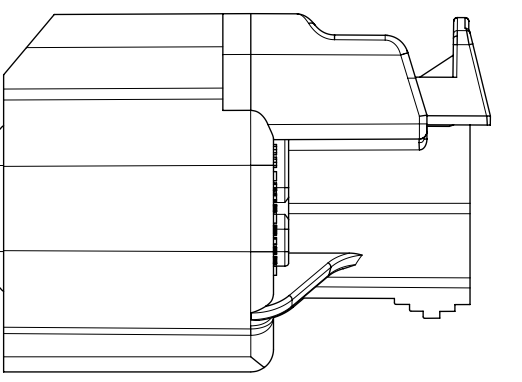
SHEET DESCRIPTION  
CONFIGURATIONS



OPTION A

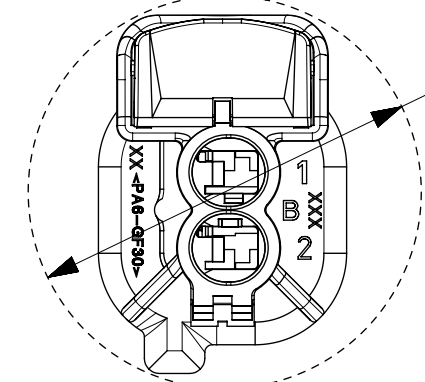


OPTION B



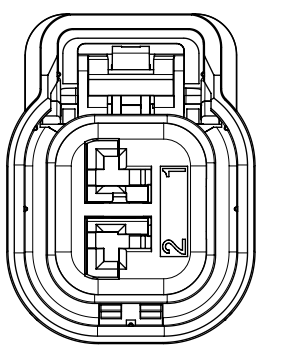
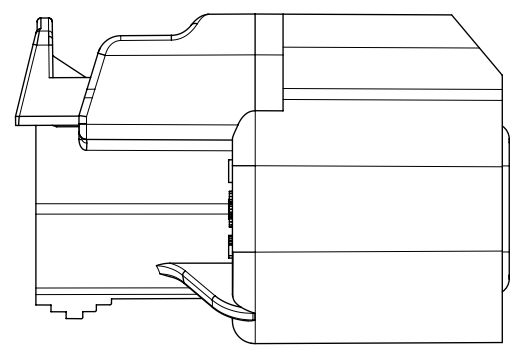
REAR VIEW

Ø23.40  
MINIMUM PASS-THRU WITH  
NO CLEARANCE  
APPLIES TO NON-CLIP SLOT  
OPTIONS A, C, D & G

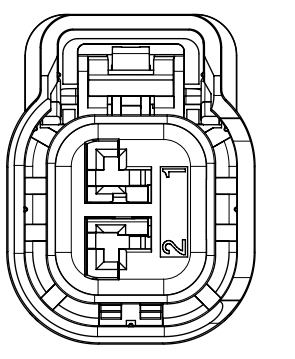
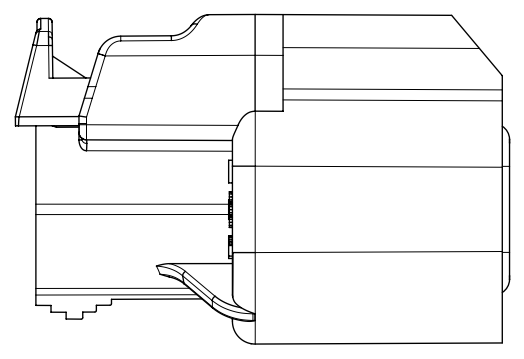
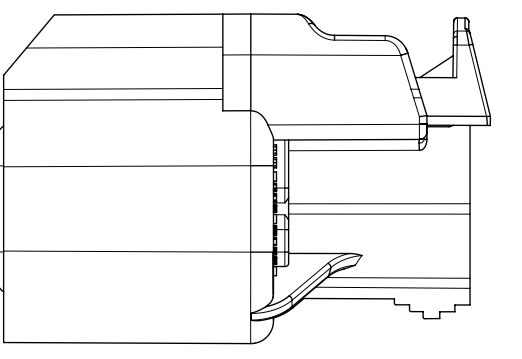


REAR VIEW

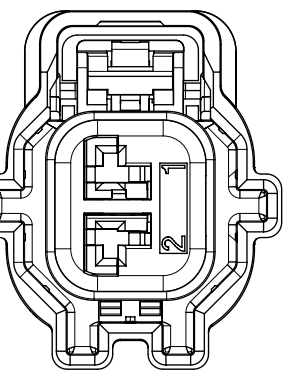
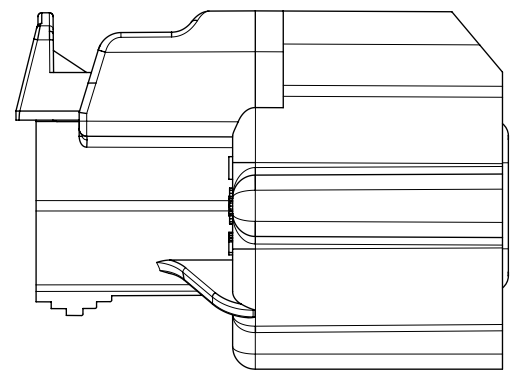
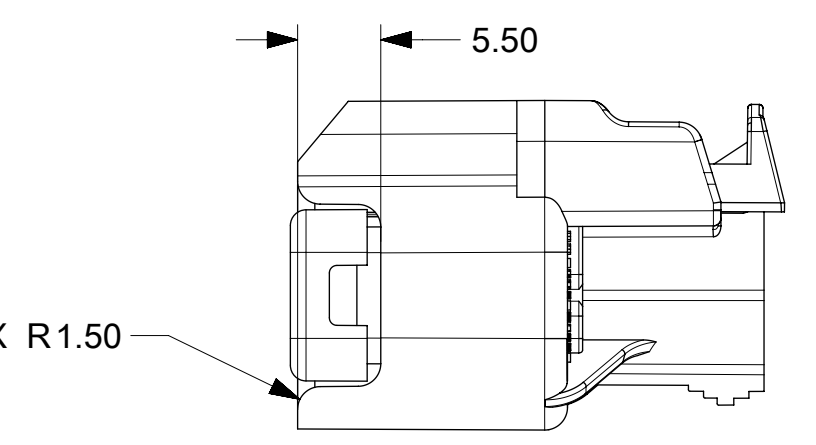
Ø26.00  
MINIMUM PASS-THRU WITH  
NO CLEARANCE  
APPLIES TO NON-CLIP SLOT  
OPTIONS B, E & F



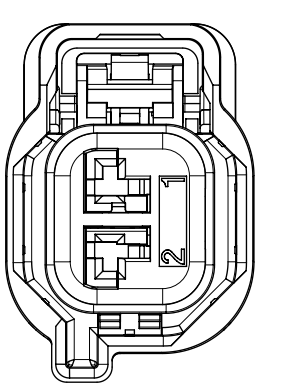
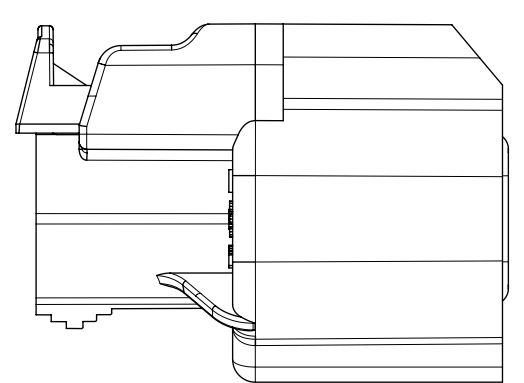
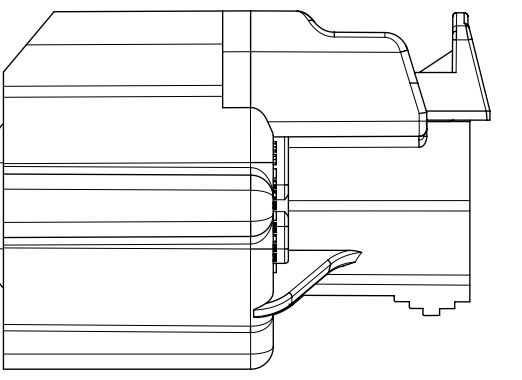
OPTION C



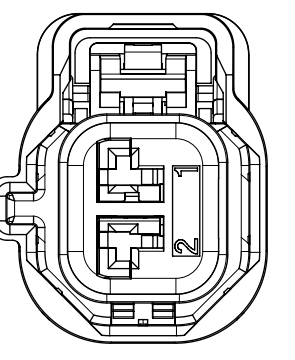
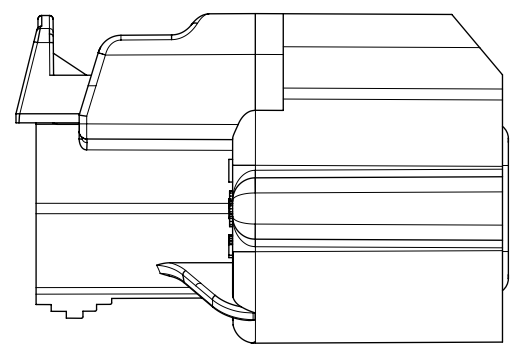
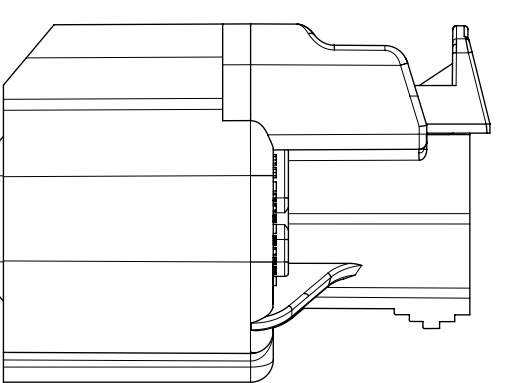
OPTION D



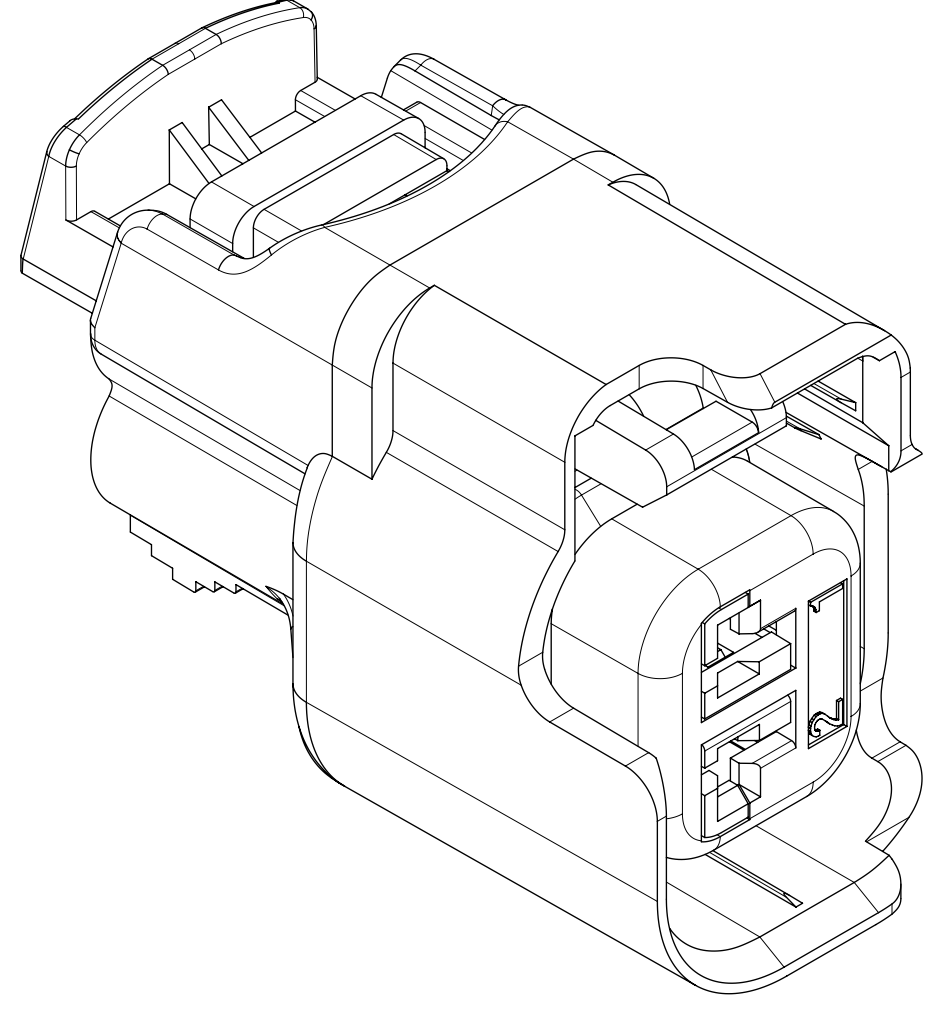
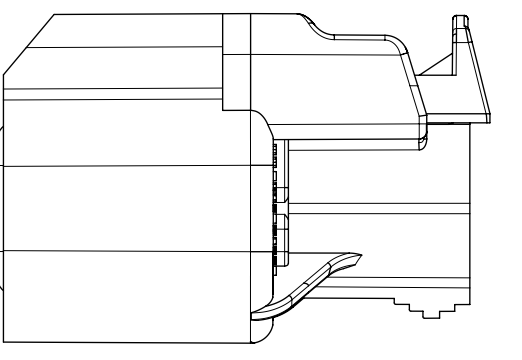
OPTION E



OPTION F



OPTION G

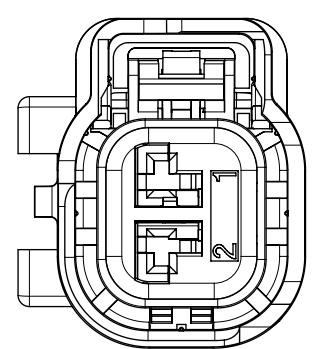
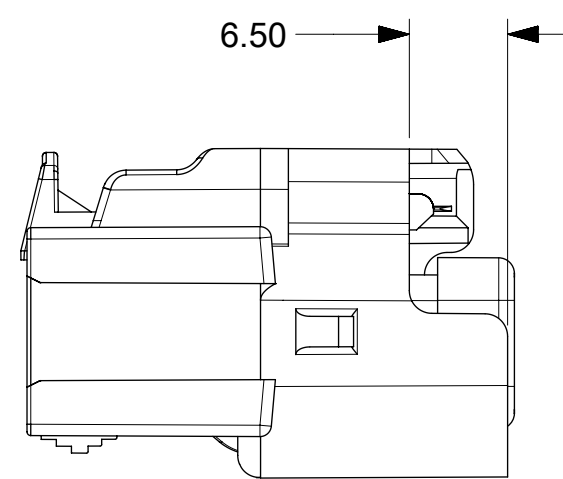


NON CLIP-SLOT OPTION  
SCALE 4:1

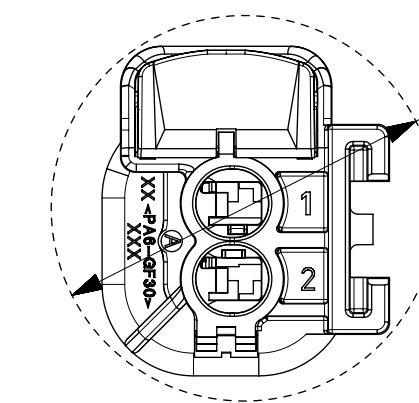
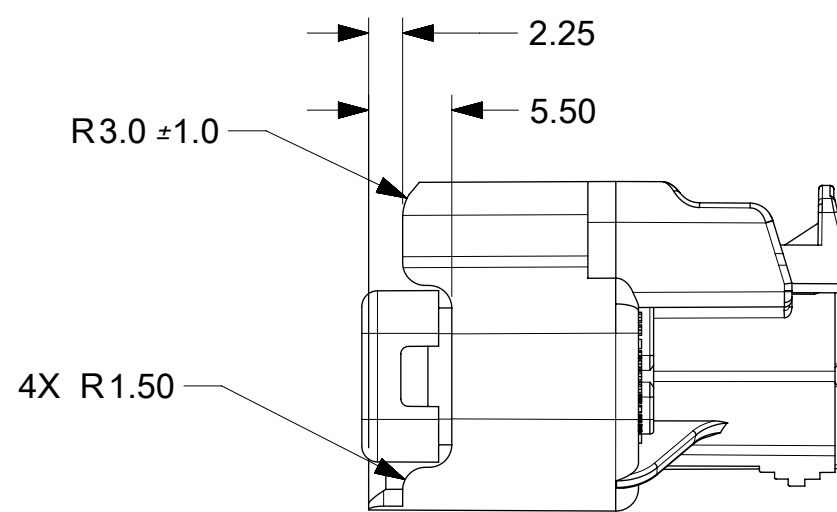
|   |   |                          |                                       |                 |                 |   |                 |                |     |     |        |
|---|---|--------------------------|---------------------------------------|-----------------|-----------------|---|-----------------|----------------|-----|-----|--------|
| THIS DRAWING CONTAINS INFORMATION THAT IS PROPRIETARY TO MOLEX ELECTRONIC TECHNOLOGIES, LLC AND SHOULD NOT BE USED WITHOUT WRITTEN PERMISSION |   |                          |                                       |                 |                 |   |                 |                |     |     |        |
| QUALITY SYMBOLS   | EC NO: 117955<br>DRWN: PKABBUR<br>CHK'D:<br>REV: APPR: KDEKOSKI | 2017/05/15<br>2017/06/14 | GENERAL TOLERANCES (UNLESS SPECIFIED) |                 | DIMENSION UNITS | SCALE   |                 |                |     |     |        |
|   |   |                          | ANGULAR TOL ± 3.0 °                   |                 | MM              | 2:1   |                 |                |     |     |        |
| ▽ = 0   | DRAFT WHERE APPLICABLE<br>MUST REMAIN<br>WITHIN DIMENSIONS      | D                        | 4 PLACES ±                            | DRWN BY         | DATE            | MX150 2 WAY CABLE SEAL<br>RECEPTACLE CONN. SYSTEM (5.0MM PITCH) |                 |                |     |     |        |
| ▽ = 0   |   |                          | 3 PLACES ±                            | KCUNNINGHAM     | 2011/11/08      |   |                 |                |     |     |        |
| ▽ = 0   |   |                          | 2 PLACES ± 0.1                        | CHKD BY         | DATE            | PRODUCT CUSTOMER DRAWING  |                 |                |     |     |        |
| ▽ = 0   |   |                          | 1 PLACE ± 0.3                         | MVANSLAMBROU    | 1/26/2012       |   |                 |                |     |     |        |
| ▽ = 0   |   |                          | 0 PLACES ±                            | APPR BY         | DATE            | SERIES  | MATERIAL NUMBER | CUSTOMER       |     |     |        |
| ▽ = 0   |   |                          |                                       | KDEKOSKI        | 2017/06/14      | 34062   | SEE NOTE 2a     | GENERAL MARKET |     |     |        |
| ▽ = 0   |   |                          |                                       | DOCUMENT NUMBER | DOC TYPE        | DOC PART  | SHEET NUMBER    | 2 OF 5         |     |     |        |
|   |   |                          |                                       | J19             |                 |   |                 | SD-34062-002   | PSD | 000 | 2 OF 5 |

SHEET DESCRIPTION

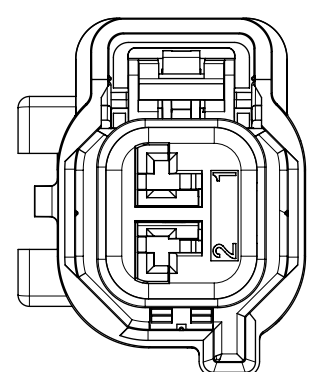
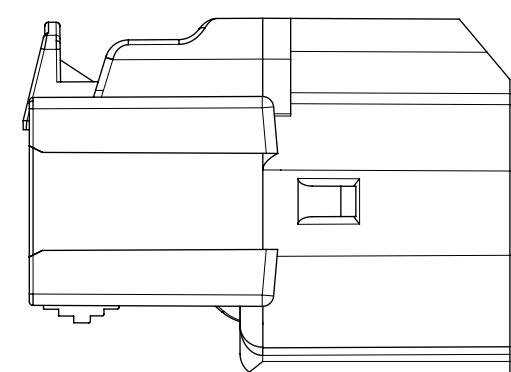
CONFIGURATIONS



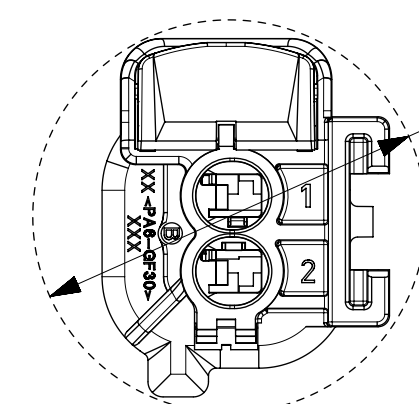
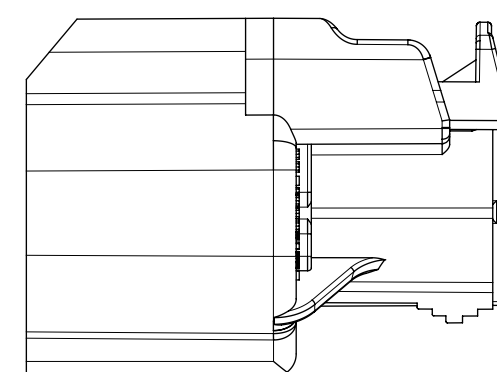
OPTION A W/CLIP-SLOT \*



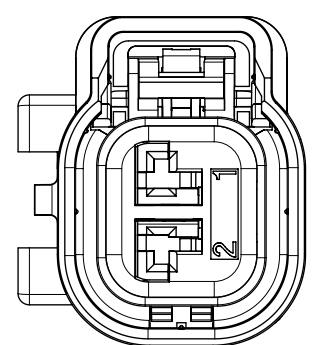
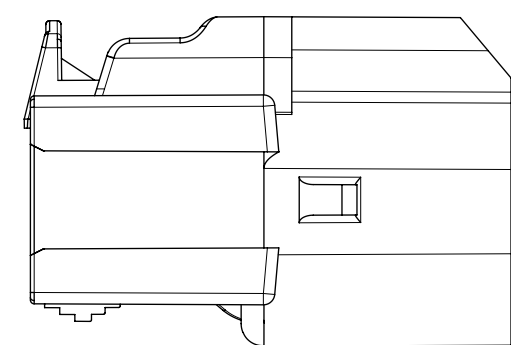
Ø25.50  
MINIMUM PASS-THRU WITH  
NO CLEARANCE  
APPLIES TO CLIP-SLOT  
OPTIONS A, C & D



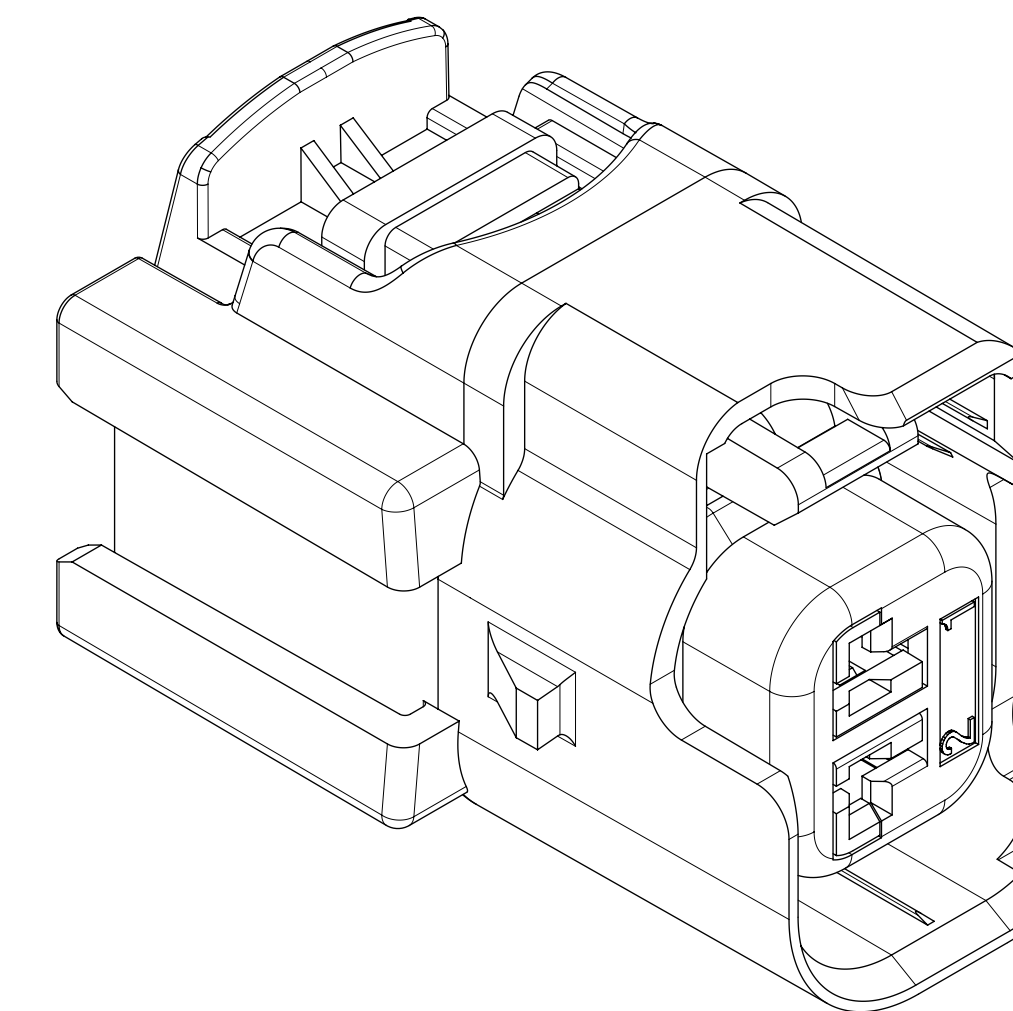
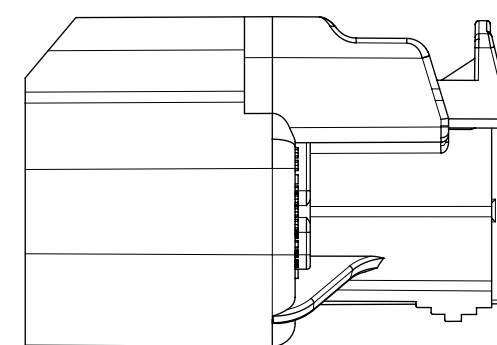
OPTION B W/CLIP-SLOT \*



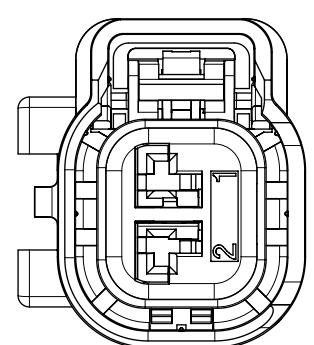
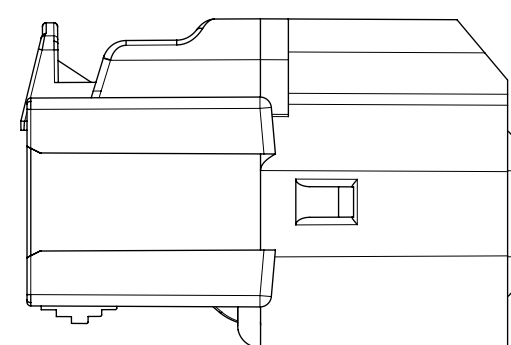
Ø26.00  
MINIMUM PASS-THRU WITH  
NO CLEARANCE  
APPLIES TO CLIP-SLOT  
OPTION B



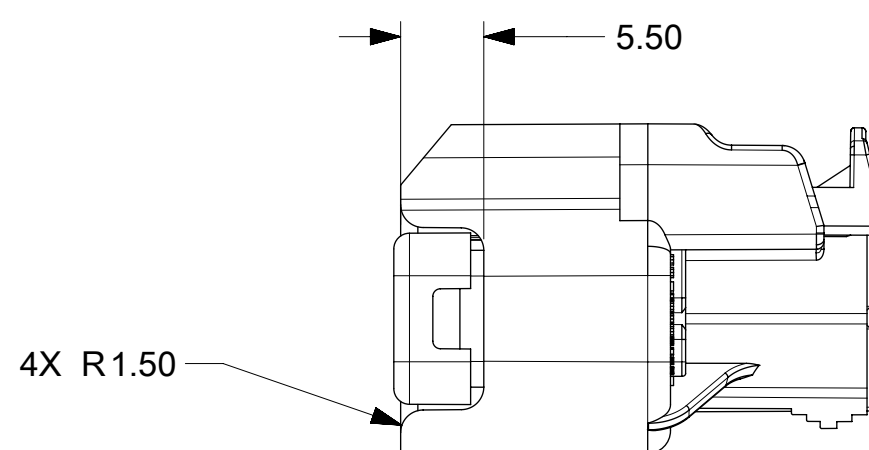
OPTION C W/CLIP-SLOT \*



CLIP-SLOT OPTION  
SCALE 4:1



OPTION D W/CLIP-SLOT \*

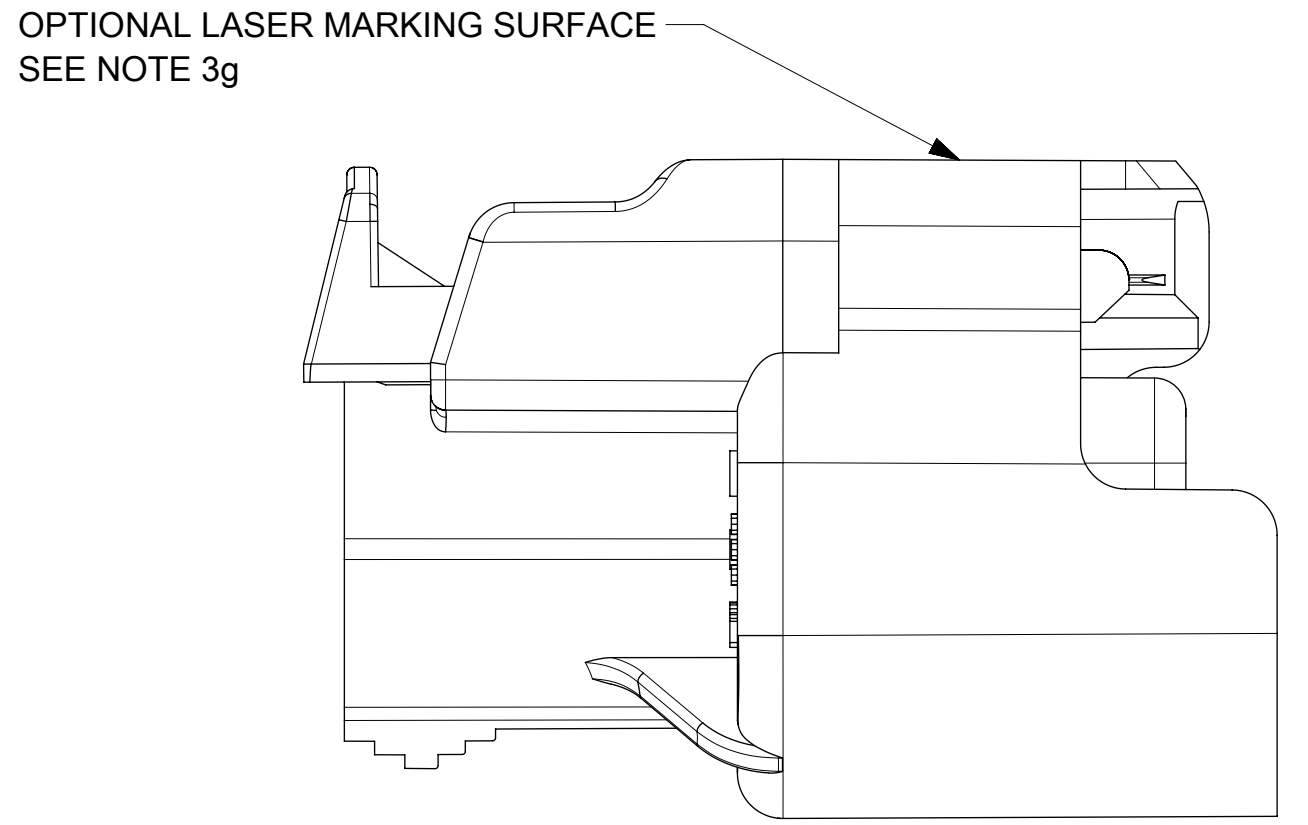


\* WITH CLIP-SLOT CONFIGURATIONS  
DO NOT MEET USCAR PACKAGING FRAME REQUIREMENTS

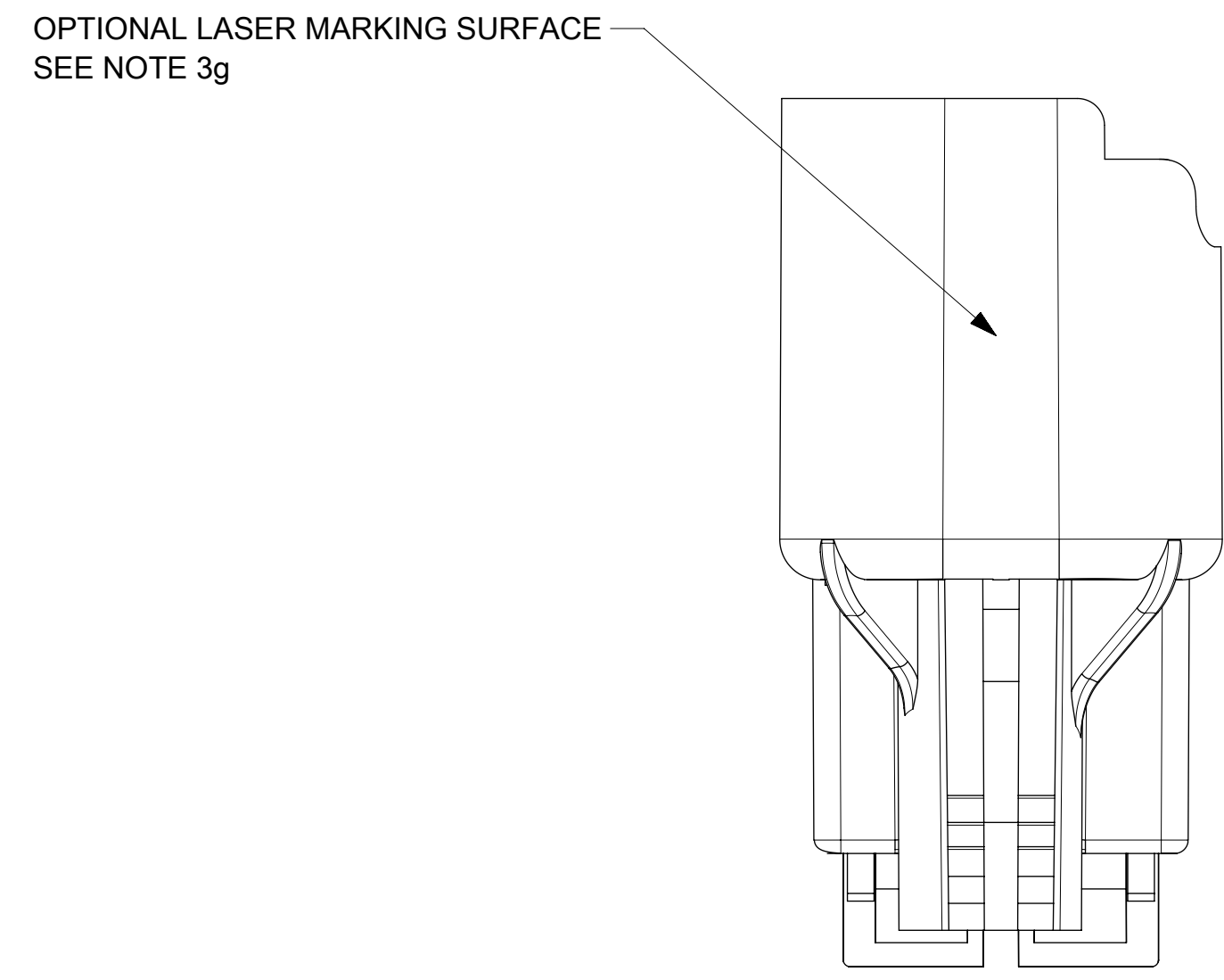
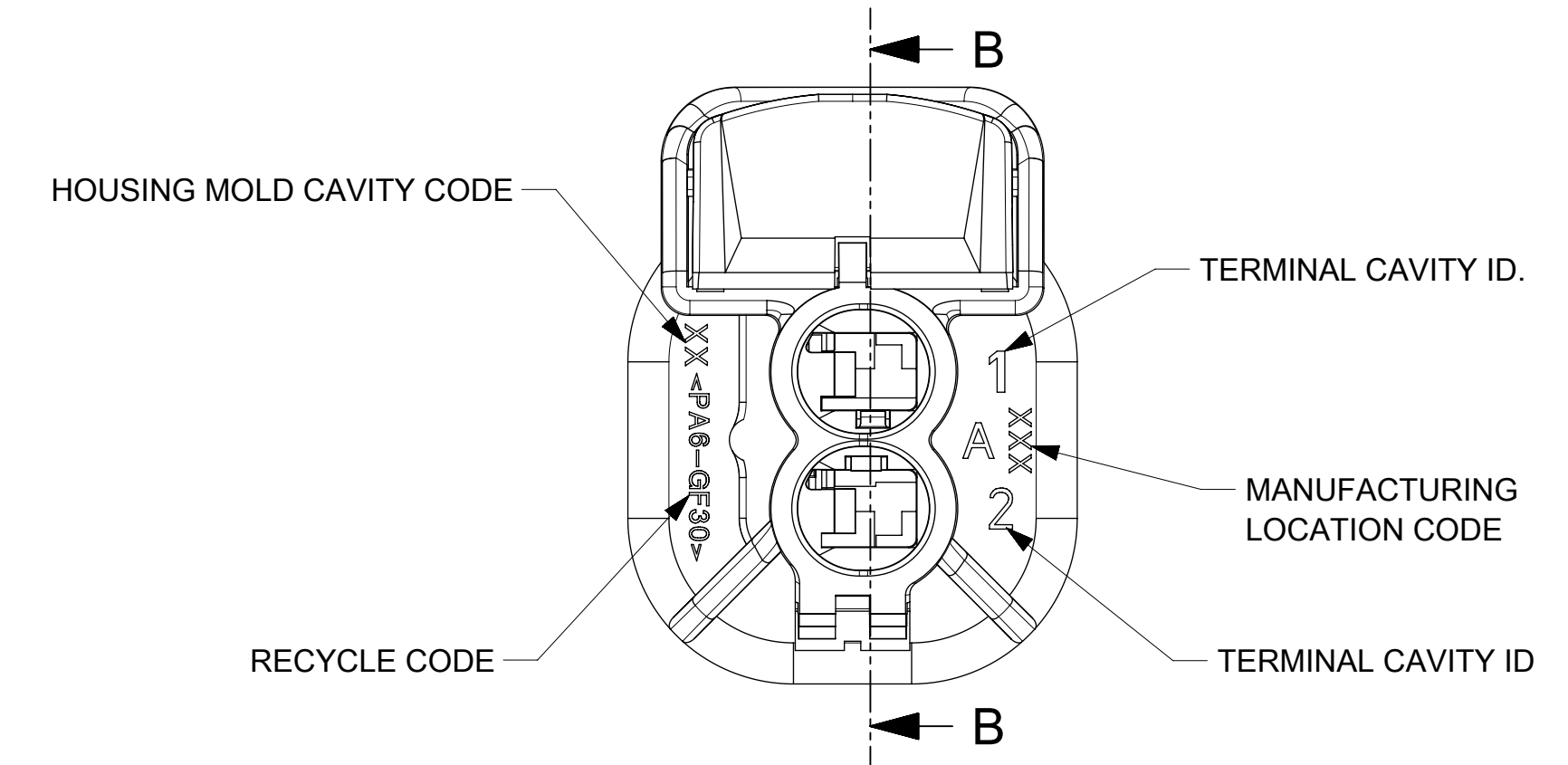
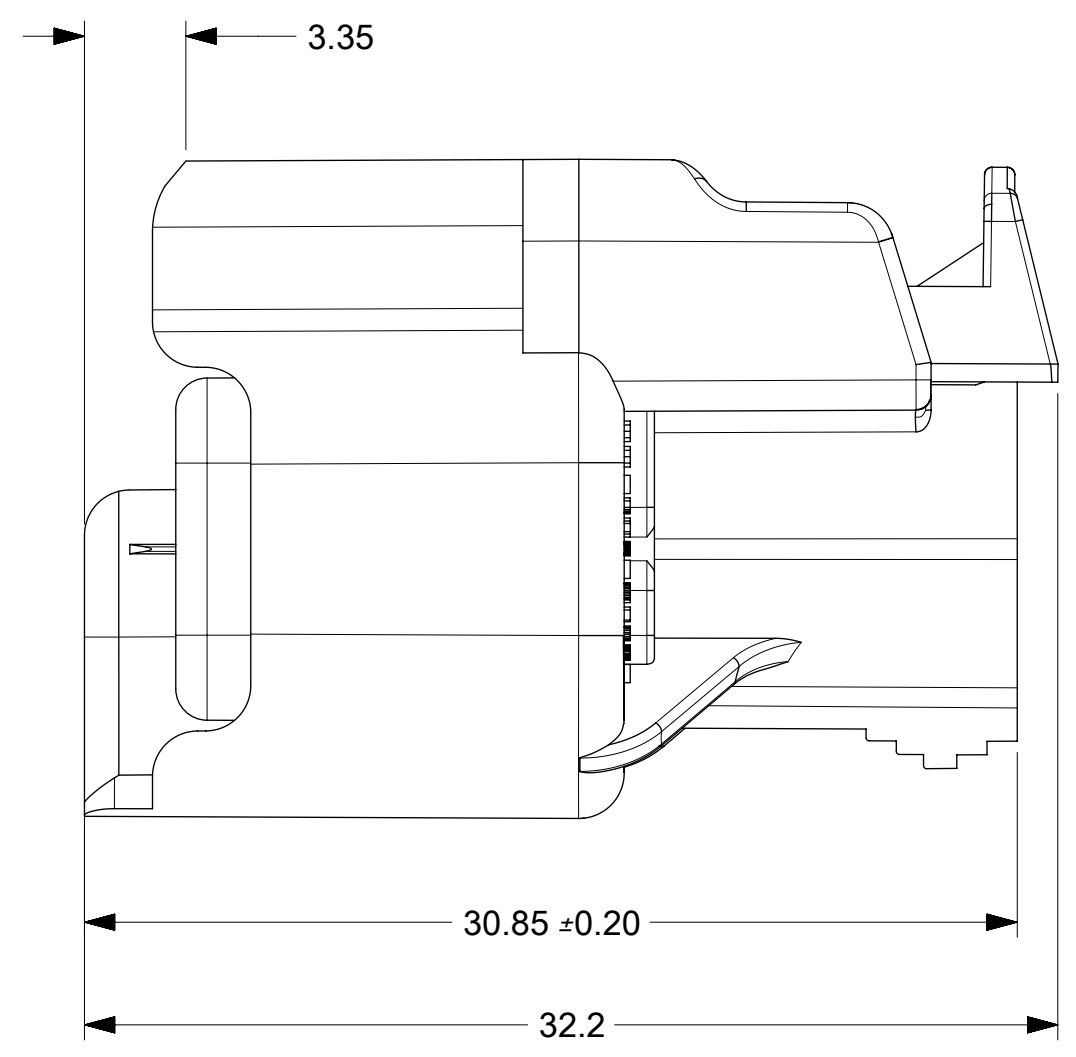
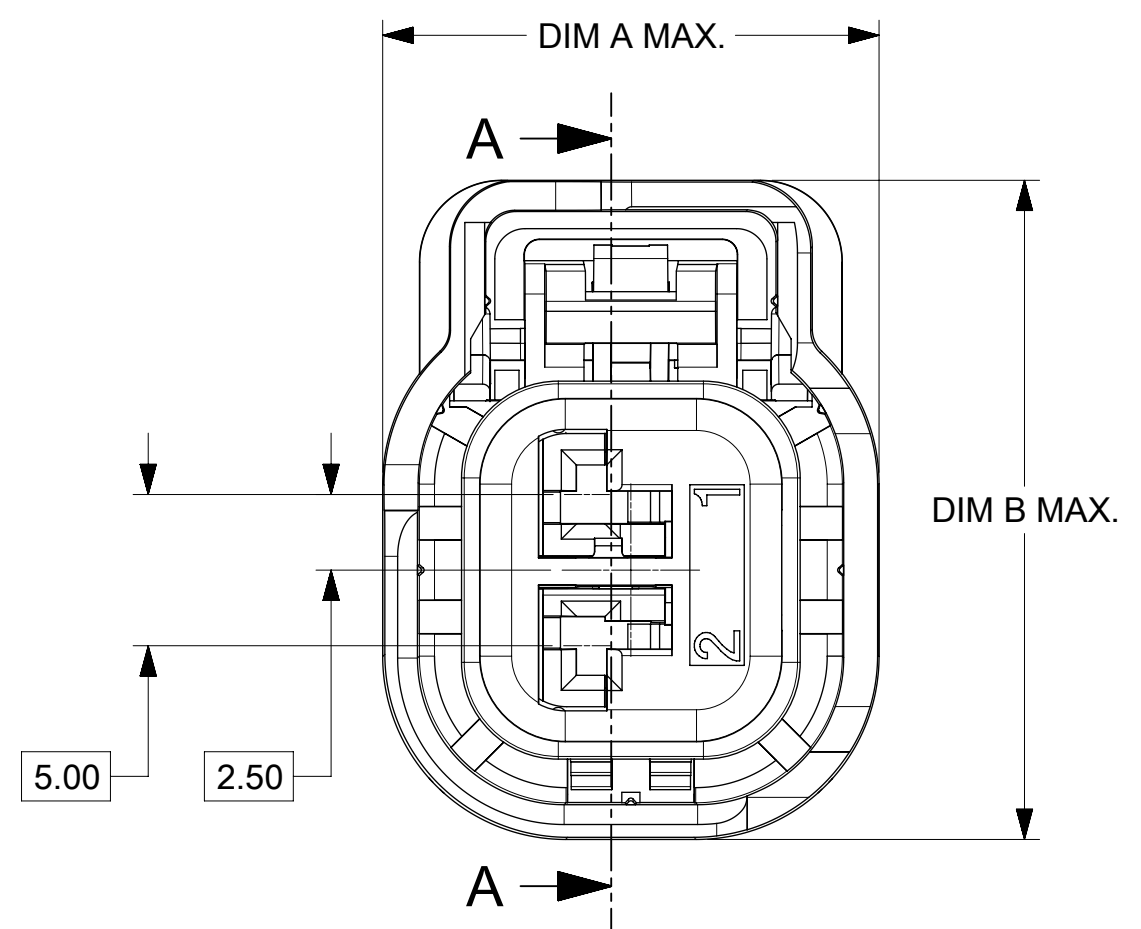
|  |   |                |                                       |                        |                 |              |   |                 |          |                |  |  |
|--|---|----------------|---------------------------------------|------------------------|-----------------|--------------|---|-----------------|----------|----------------|--|--|
| <p>QUALITY SYMBOLS</p> <p>▽ = 0</p> <p>▽ = 0</p> <p>▽ = 0</p> <p>▽ = 0</p> <p>▽ = 0</p> <p>▽ = 0</p> <p>▽ = 0</p> <p>▽ = 0</p> <p>▽ = 0</p> <p>▽ = 0</p> | THIS DRAWING CONTAINS INFORMATION THAT IS PROPRIETARY TO MOLEX ELECTRONIC TECHNOLOGIES, LLC AND SHOULD NOT BE USED WITHOUT WRITTEN PERMISSION |                |                                       |                        |                 |              |   |                 |          |                |  |  |
|  | 2017/05/15  | 2017/06/14     | GENERAL TOLERANCES (UNLESS SPECIFIED) |                        | DIMENSION UNITS | SCALE        |   |                 |          |                |  |  |
|  | DRWN BY   | DATE           | ANGULAR TOL ± 3.0 °                   |                        | MM              | 2:1          |   |                 |          |                |  |  |
|  | EC NO: 117955<br>DRWN: PKABBUR<br>CHKD:<br>REV APPR: KDEKOSKI   | 4 PLACES ±     | KCUNNINGHAM                           |                        | 2011/11/08      |              | MX150 2 WAY CABLE SEAL<br>RECEPTACLE CONN. SYSTEM (5.0MM PITCH) |                 |          |                |  |  |
|  |   | 3 PLACES ±     | CHKD BY                               |                        | DATE            |              |   |                 |          |                |  |  |
|  |   | 2 PLACES ± 0.1 | MVANSLAMBROU                          |                        | 1/26/2012       |              | PRODUCT CUSTOMER DRAWING  |                 |          |                |  |  |
|  |   | 1 PLACE ± 0.3  | APPR BY                               |                        | DATE            |              |   |                 |          |                |  |  |
|  |   | 0 PLACES ±     | KDEKOSKI                              |                        | 2017/06/14      |              | SERIES  | MATERIAL NUMBER | CUSTOMER |                |  |  |
|  | DRAFT WHERE APPLICABLE MUST REMAIN WITHIN DIMENSIONS  |                | DRAWING SIZE                          | THIRD ANGLE PROJECTION |                 |              | 34062   | SEE NOTE 2a     |          | GENERAL MARKET |  |  |
|  |   |                | D                                     |                        |                 |              | DOCUMENT NUMBER   | DOC TYPE        | DOC PART | SHEET NUMBER   |  |  |
|  |   | J19            |                                       |                        |                 | SD-34062-002 | PSD   | 000             | 3 OF 5   |                |  |  |

| SHEET DESCRIPTION             |  |
|-------------------------------|--|
| RECEPTACLE CONNECTOR ASSEMBLY |  |

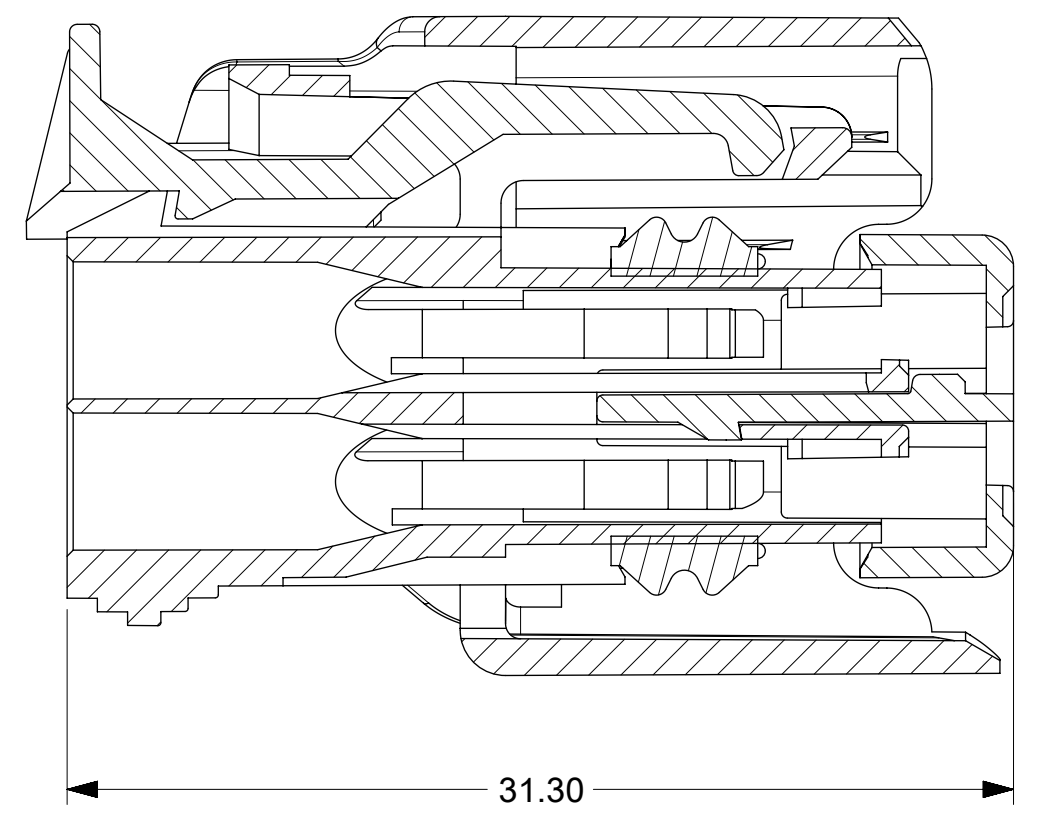
| CHARTED DIMENSIONS          |            |      |
|-----------------------------|------------|------|
| CONFIGURATIONS              | DIMENSIONS |      |
|                             | A          | B    |
| OPTIONS A, C, D             | 16.6       | 22.0 |
| OPTION B                    | 16.6       | 23.9 |
| OPTION E                    | 20.2       | 23.9 |
| OPTION F                    | 16.6       | 23.9 |
| OPTION G                    | 18.4       | 22.0 |
| OPTIONS A, C, D W/CLIP-SLOT | 19.2       | 22.0 |
| OPTION B W/CLIP-SLOT        | 19.2       | 23.9 |



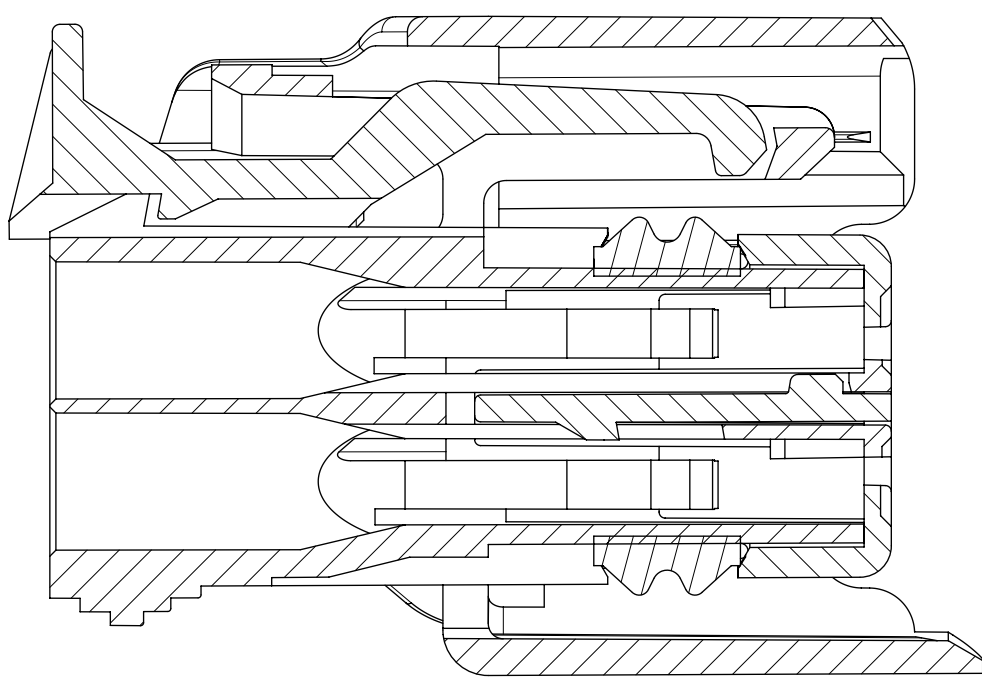
OPTIONAL LASER MARKING SURFACE  
SEE NOTE 3g



OPTIONAL LASER MARKING SURFACE  
SEE NOTE 3g

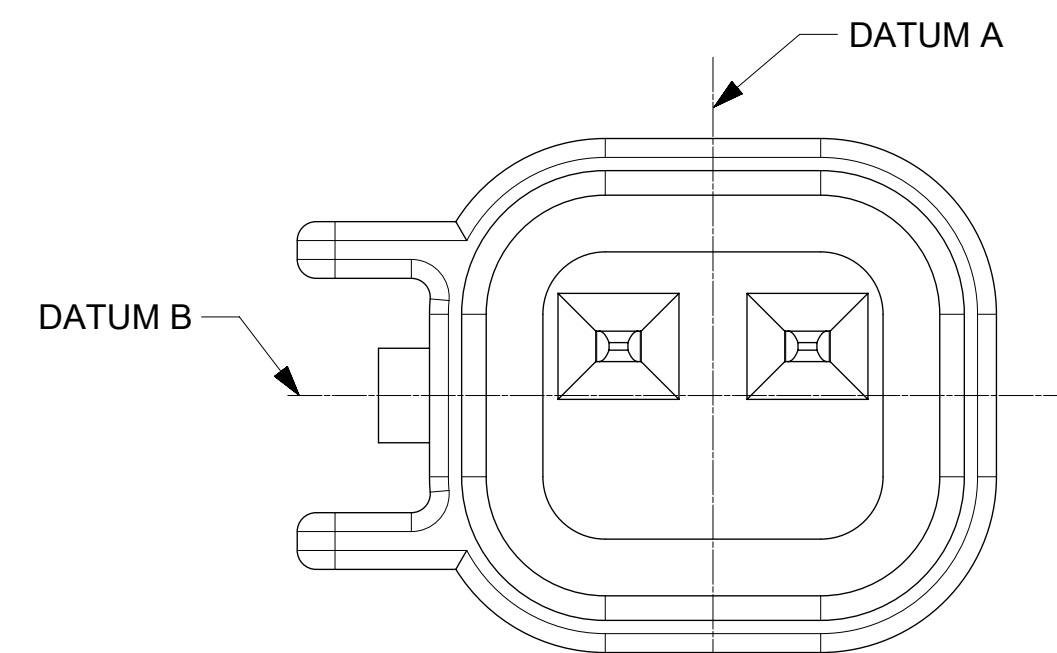


**SECTION A-A**  
TPA SHOWN IN THE  
PRE-STAGED POSITION

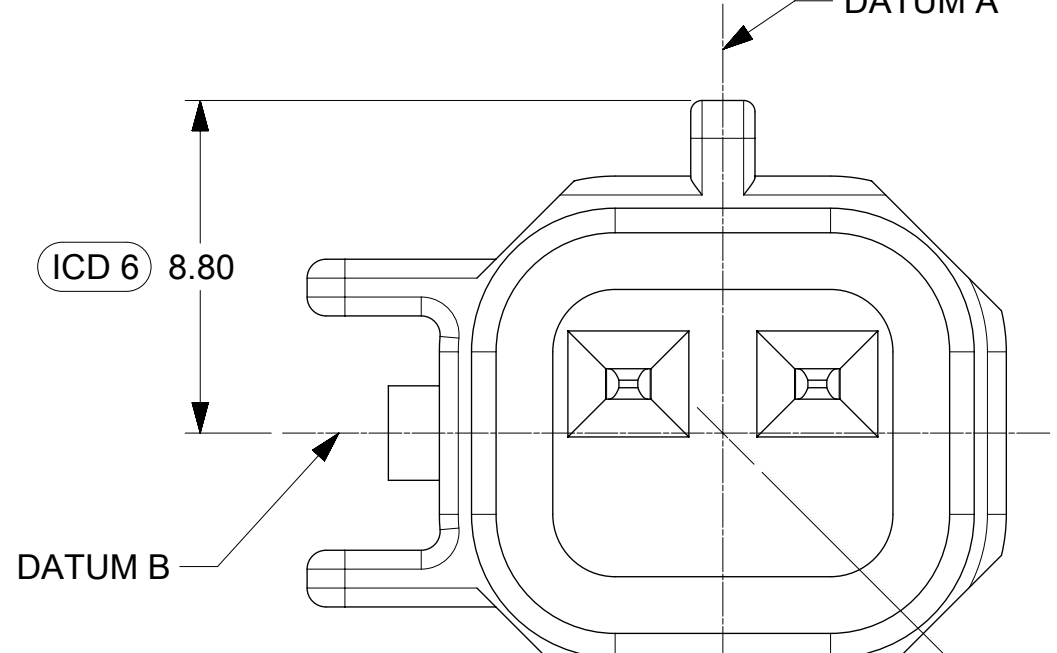


**SECTION B-B**  
TPA SHOWN IN  
FINAL-LOCK POSITION

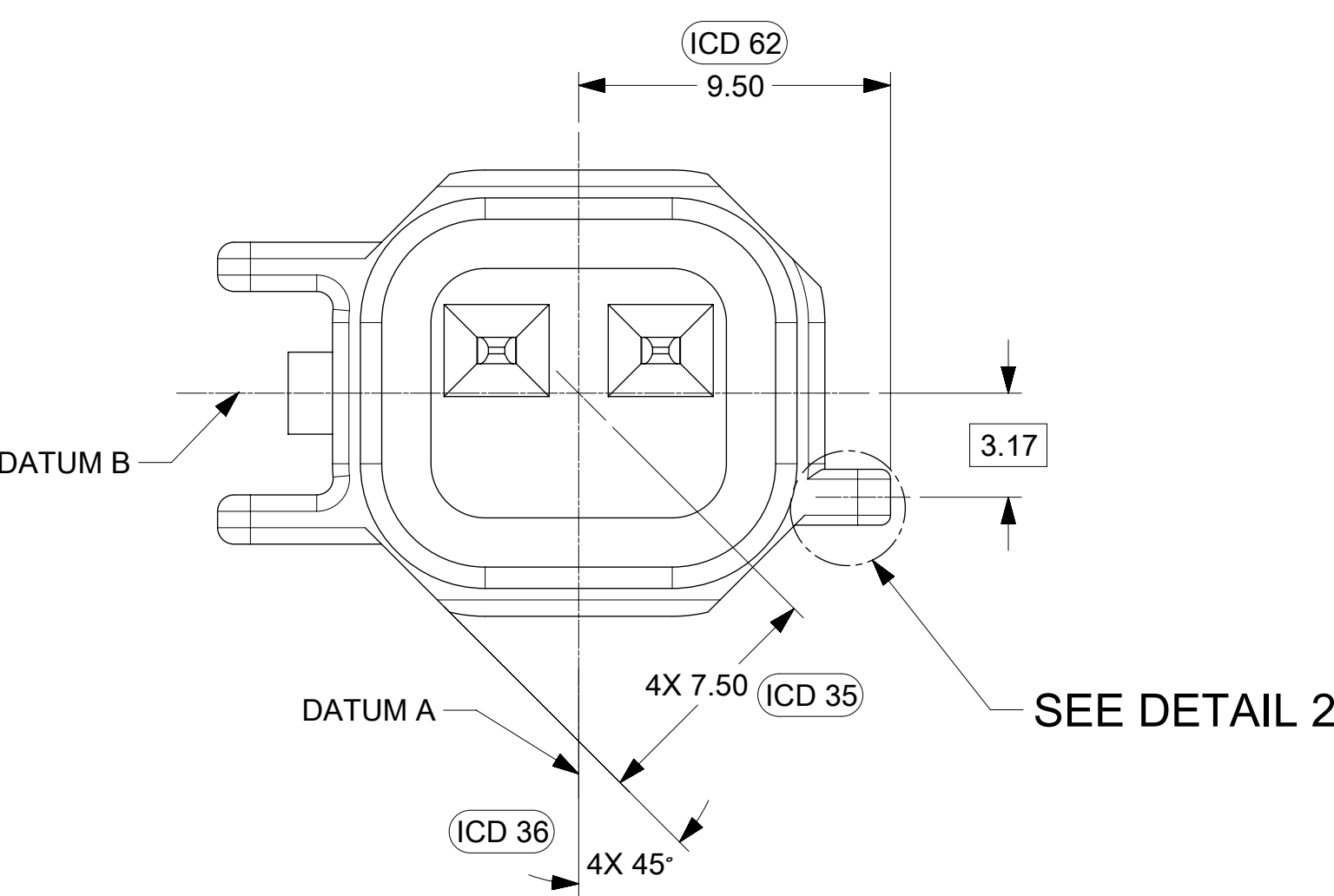
|   |       |            |       |            |       |                                       |       |  |              |   |                 |                |              |
|---|-------|------------|-------|------------|-------|---------------------------------------|-------|--|--------------|---|-----------------|----------------|--------------|
| THIS DRAWING CONTAINS INFORMATION THAT IS PROPRIETARY TO MOLEX ELECTRONIC TECHNOLOGIES, LLC AND SHOULD NOT BE USED WITHOUT WRITTEN PERMISSION |       |            |       |            |       |                                       |       |  |              |   |                 |                |              |
| QUALITY SYMBOLS   |       | 2017/05/15 |       | 2017/06/14 |       | GENERAL TOLERANCES (UNLESS SPECIFIED) |       | DIMENSION UNITS  |              | SCALE   |                 |                |              |
| ▽ = 0   | ▽ = 0 | ▽ = 0      | ▽ = 0 | ▽ = 0      | ▽ = 0 | ▽ = 0                                 | ▽ = 0 | MM   | 4:1          | molex®  |                 |                |              |
| ▽ = 0   | ▽ = 0 | ▽ = 0      | ▽ = 0 | ▽ = 0      | ▽ = 0 | ▽ = 0                                 | ▽ = 0 | DRWN BY  | DATE         | MX150 2 WAY CABLE SEAL<br>RECEPTACLE CONN. SYSTEM (5.0MM PITCH) |                 |                |              |
| ▽ = 0   | ▽ = 0 | ▽ = 0      | ▽ = 0 | ▽ = 0      | ▽ = 0 | ▽ = 0                                 | ▽ = 0 | KCUNNINGHAM  | 2011/11/08   | PRODUCT CUSTOMER DRAWING  |                 |                |              |
| ▽ = 0   | ▽ = 0 | ▽ = 0      | ▽ = 0 | ▽ = 0      | ▽ = 0 | ▽ = 0                                 | ▽ = 0 | CHKD BY  | DATE         | SERIES  | MATERIAL NUMBER | CUSTOMER       |              |
| ▽ = 0   | ▽ = 0 | ▽ = 0      | ▽ = 0 | ▽ = 0      | ▽ = 0 | ▽ = 0                                 | ▽ = 0 | MVANSLAMBROU   | 1/26/2012    | 34062   | SEE NOTE 2a     | GENERAL MARKET |              |
| ▽ = 0   | ▽ = 0 | ▽ = 0      | ▽ = 0 | ▽ = 0      | ▽ = 0 | ▽ = 0                                 | ▽ = 0 | APPR BY  | DATE         | DOCUMENT NUMBER   | DOC TYPE        | DOC PART       | SHEET NUMBER |
| ▽ = 0   | ▽ = 0 | ▽ = 0      | ▽ = 0 | ▽ = 0      | ▽ = 0 | ▽ = 0                                 | ▽ = 0 | KDEKOSKI   | 2017/06/14   | SD-34062-002  | PSD             | 000            | 4 OF 5       |
| ▽ = 0   | ▽ = 0 | ▽ = 0      | ▽ = 0 | ▽ = 0      | ▽ = 0 | ▽ = 0                                 | ▽ = 0 | DRAFT WHERE APPLICABLE<br>MUST REMAIN<br>WITHIN DIMENSIONS | DRAWING SIZE | THIRD ANGLE PROJECTION  |                 |                |              |
| ▽ = 0   | ▽ = 0 | ▽ = 0      | ▽ = 0 | ▽ = 0      | ▽ = 0 | ▽ = 0                                 | ▽ = 0 | D  | ⊕            |   |                 |                |              |



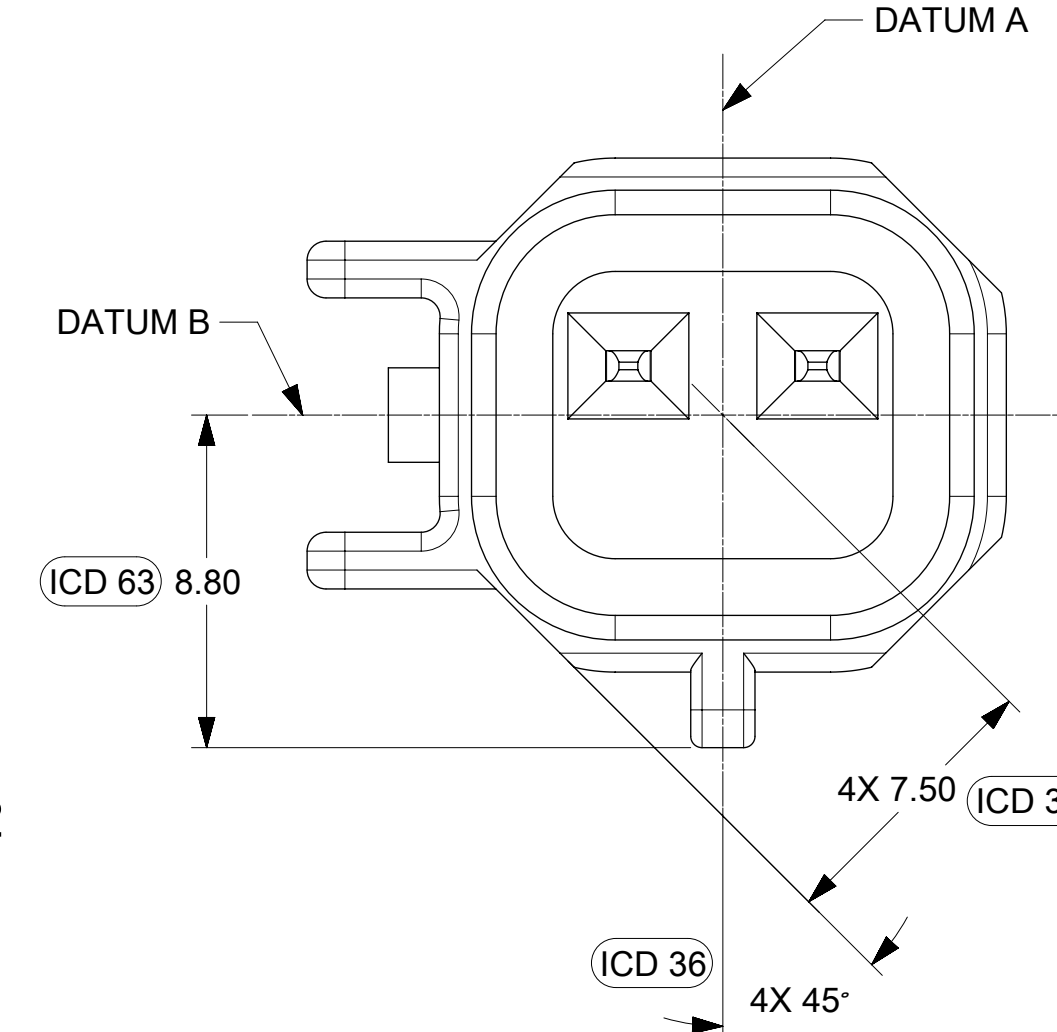
OPTIONS A, C, D  
(SAME INTERFACE)



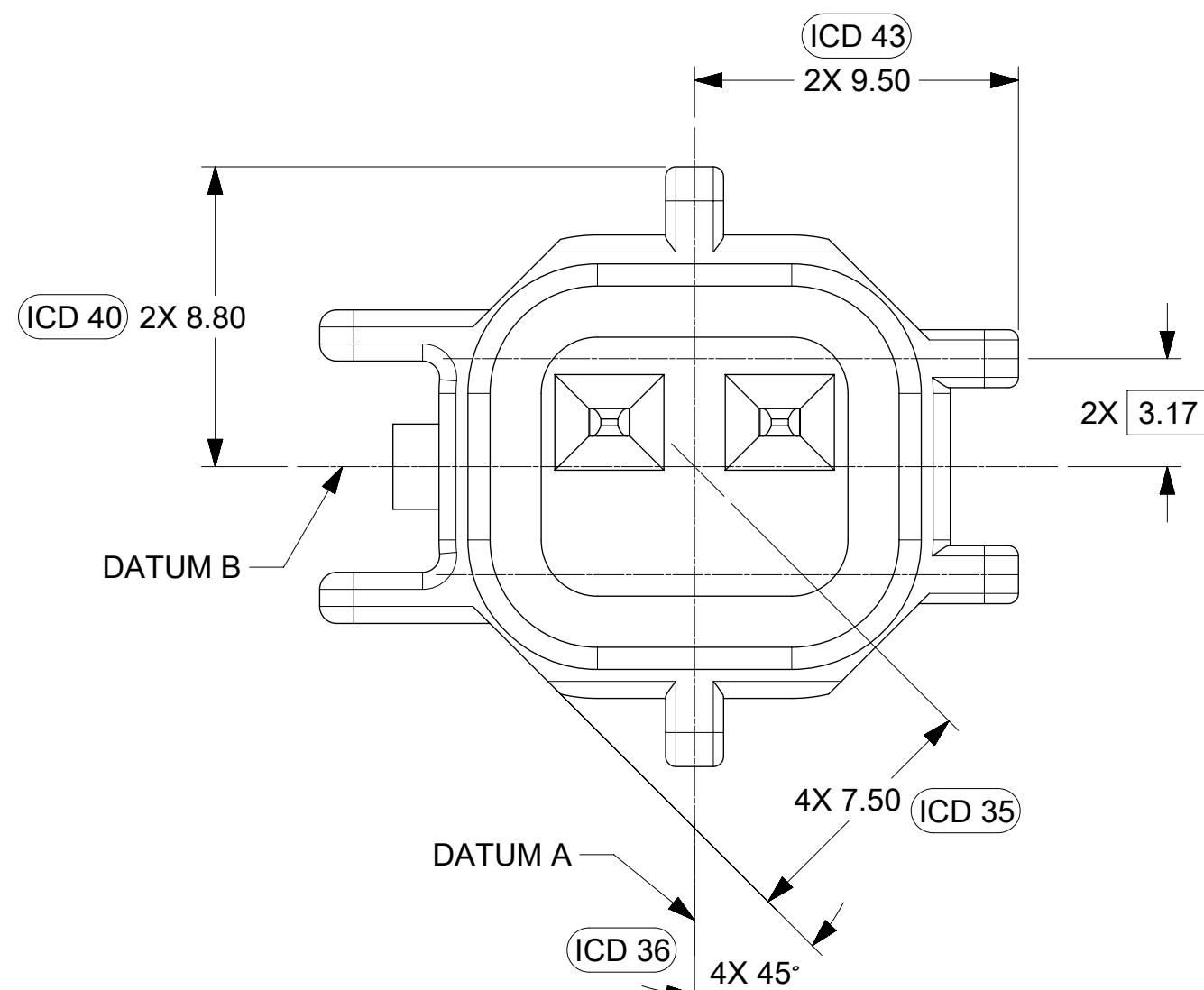
OPTION G



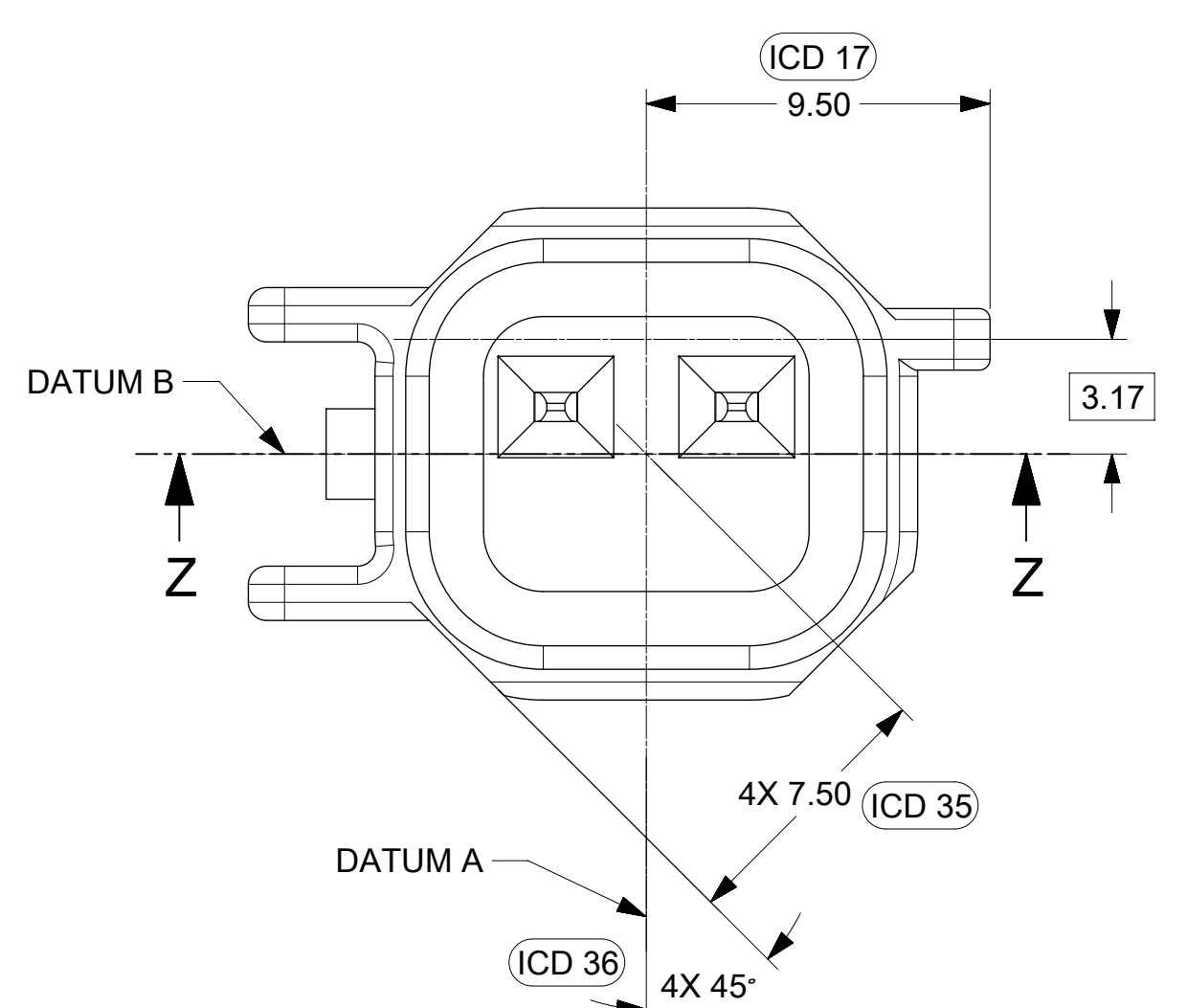
OPTION B



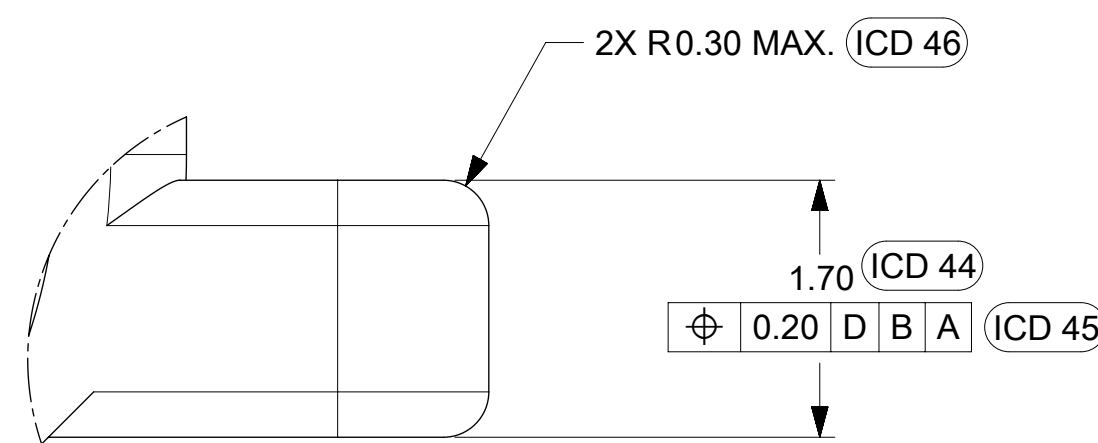
OPTION H



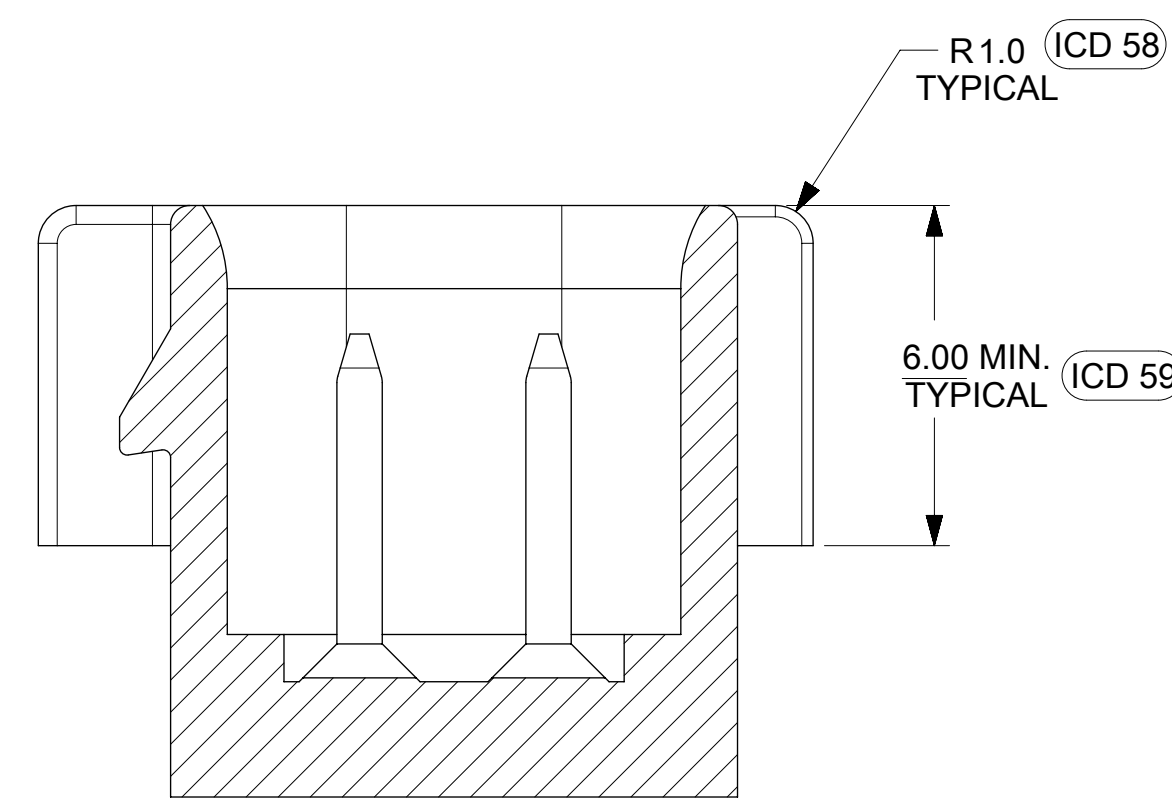
OPTION E



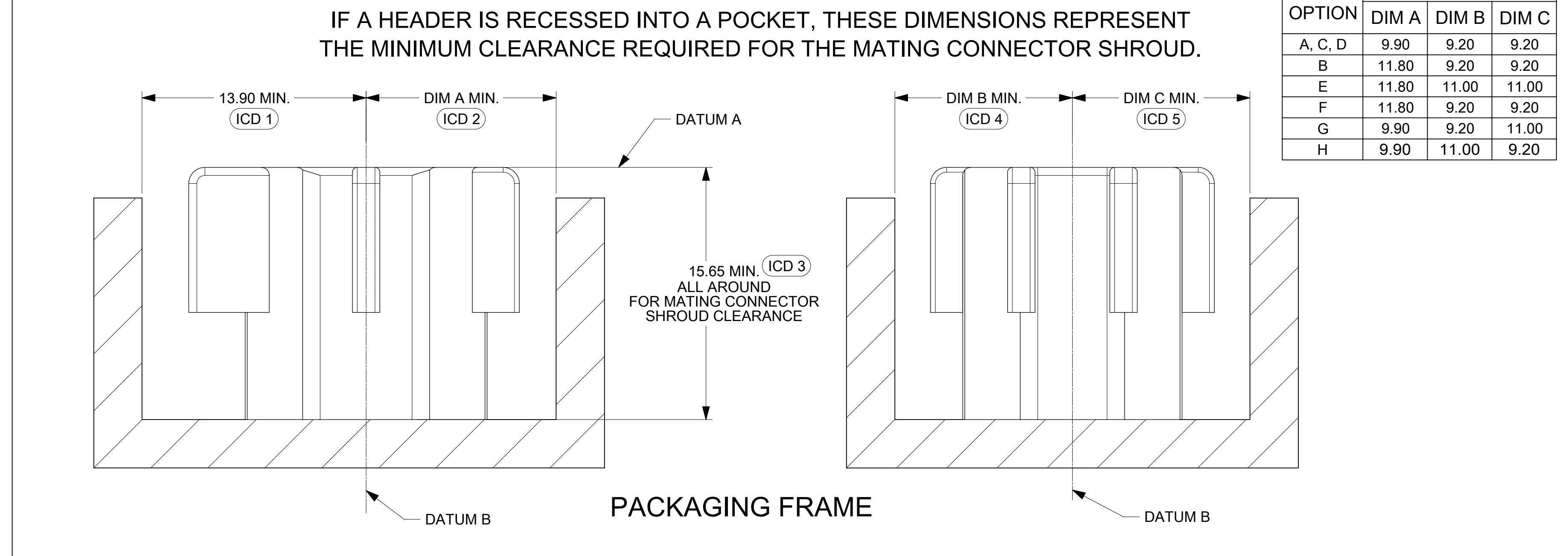
OPTION F



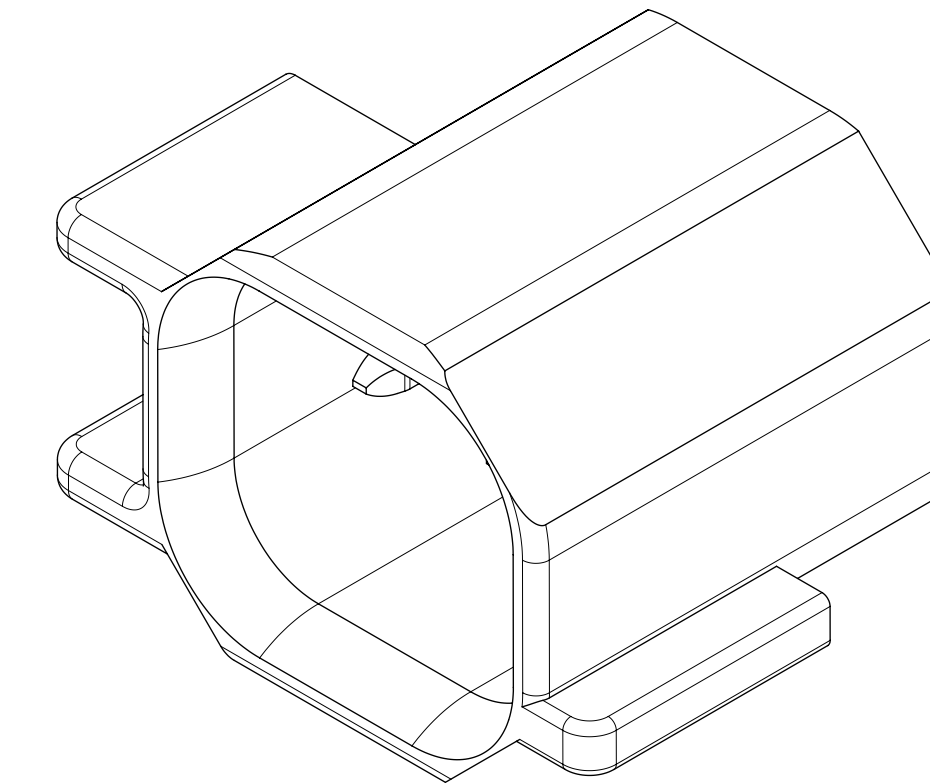
DETAIL 2  
SCALE 20:1  
TYPICAL  
SEE KEYING OPTIONS VIEWS FOR POSITIONS



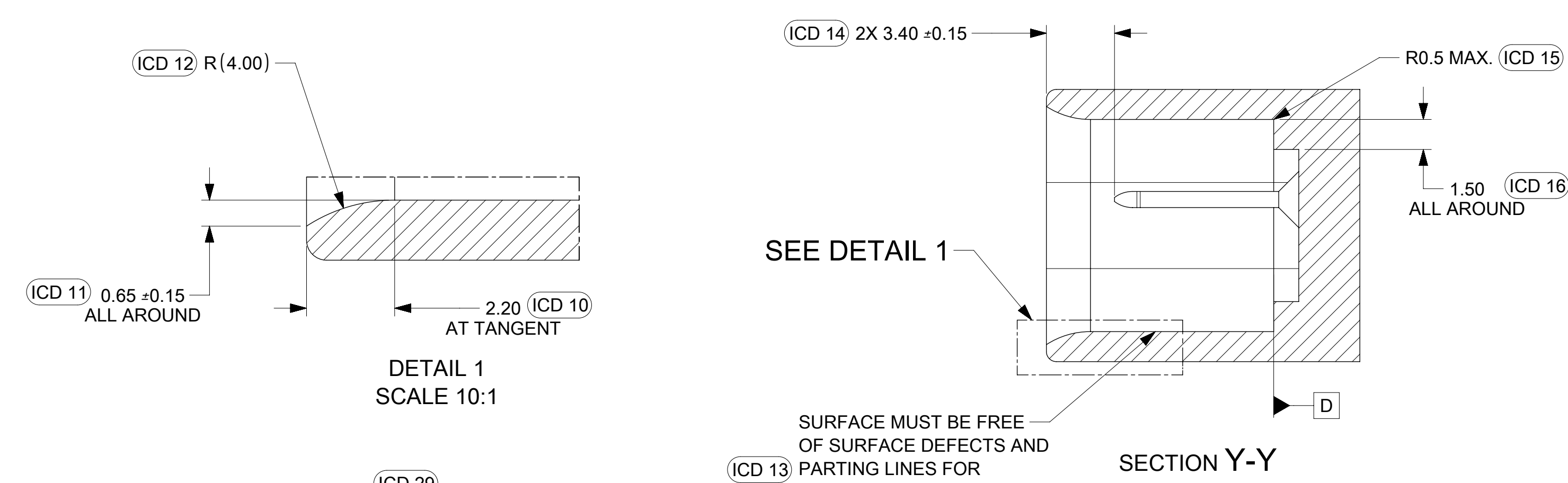
SECTION Z-Z  
SEE KEYING OPTION VIEWS FOR POSITIONS



| KEY OPTION | DIMENSIONS |       |       |
|------------|------------|-------|-------|
|            | DIM A      | DIM B | DIM C |
| A, C, D    | 9.90       | 9.20  | 9.20  |
| B          | 11.80      | 9.20  | 9.20  |
| E          | 11.80      | 11.00 | 11.00 |
| F          | 11.80      | 9.20  | 9.20  |
| G          | 9.90       | 9.20  | 11.00 |
| H          | 9.90       | 11.00 | 9.20  |

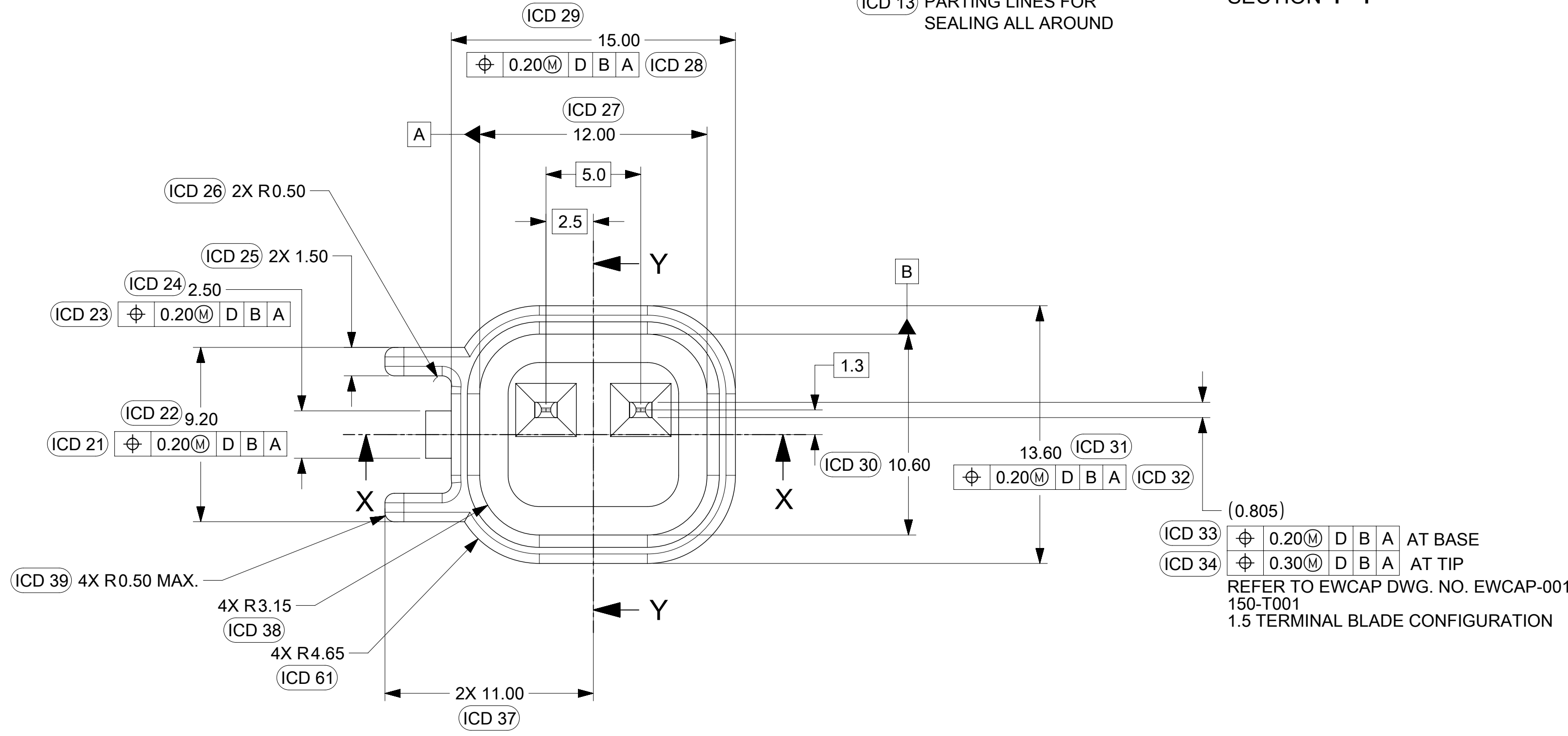


OPTION B



DETAIL 1  
SCALE 10:1

SECTION Y-Y



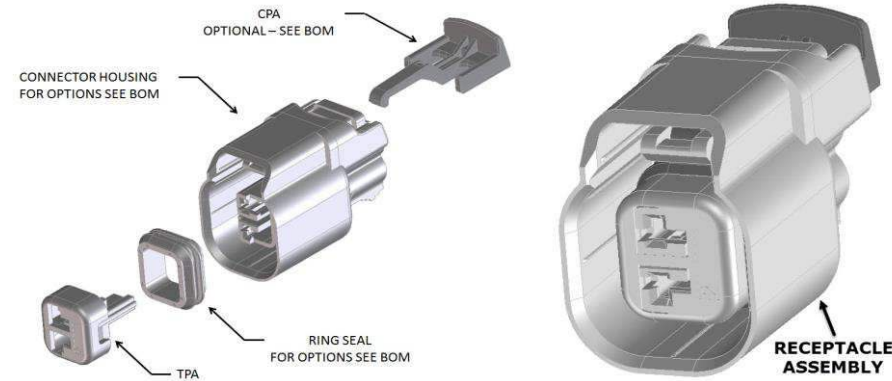
SECTION X-X

- NOTES: UNLESS OTHERWISE SPECIFIED
1. ALL DIMENSIONS SHOWN IN MILLIMETERS.
  2. DIMENSIONING AND TOLERANCING PER ASME Y14.5M-1994
  3. 0.25 RADIUS ON ALL CORNERS SHOWN SHARP.
  4. UNSPECIFIED RADIUS: 0.25 EXCEPT AS NOTED.
  5. STANDARD COLORS FOR POLARIZATION (SEE CHART). DEVIATION REQUIRES APPROVAL OF AUTHORIZED PERSON.
  6. REFER TO SAE/USCAR 12 CONNECTOR GUIDELINES FOR ADDITIONAL REQUIREMENTS.
  7. EXCEPT WHERE NOTED, DRAFT ON OUTSIDE SURFACES IS PERMISSIBLE WITHIN TOLERANCE.
  8. DASHED SYMBOL INDICATES DRAFT DIRECTION.
  9. FOR TERMINAL MATERIAL, DIMENSIONAL, AND COATING REQUIREMENTS AND ANY BLADE TERMINAL DESIGN INFORMATION NOT SHOWN ON THIS DRAWING SEE EWCAP DWG. NO. EWCAP-001
  10. A FULL SHROUD ON THE MATING CONNECTOR IS REQUIRED TO ENSURE THAT THE CONNECTOR-HEADER POLARIZATION FEATURES (OPTIONS A THRU H) WILL FUNCTION. THE FULL SHROUD ALSO PREVENTS SCOOP DAMAGE TO THE HEADER PINS. REFER TO SAE/USCAR-12 CONNECTOR DESIGN GUIDE LINES FOR ADDITIONAL INFORMATION.
  11. REFER TO USCAR/EWCAP PART LIST AS FOUND ON WEBSITE <http://www.uscarteams.org>
  12. THIS IS A 100% CAD GENERATED PART. THE CAD MATHEMATICAL DATA IS THE MASTER FOR THIS PART. FOR DIMENSIONAL OR ANY INFORMATION NOT SHOWN ON THIS DRAWING, ANALYZE THE CAD MODEL.

| OPTION  | COLOR      | SIMILAR TO AFL DRAWING R63461 (OPTION GEOMETRY IDENTICAL) | COMMENTS                                      |
|---------|------------|---|---|
| A, C, D | BLACK      | A   |   |
| B       | LIGHT GRAY | B   |   |
| E       | BLACK      | E   | NOT RECOMMENDED MATING CONNECTOR IS UNIVERSAL |
| F       | LIGHT GRAY | D   |   |
| G       | BLACK      | C   |   |
| H       | LIGHT GRAY | F   |   |

|  |  |  |  |  |  |   |  |
|--|--|--|--|--|--|---|--|
| <p>QUALITY SYMBOLS</p> <p>△ = 0</p> <p>▽ = 0</p> <p>▽ = 0</p> <p>▽ = 0</p> <p>▽ = 0</p> <p>▽ = 0</p> <p>▽ = 0</p> <p>▽ = 0</p> <p>▽ = 0</p> <p>▽ = 0</p> <p>▽ = 0</p> <p>▽ = 0</p> |  |  |  | <p>THIS DRAWING CONTAINS INFORMATION THAT IS PROPRIETARY TO MOLEX ELECTRONIC TECHNOLOGIES, LLC AND SHOULD NOT BE USED WITHOUT WRITTEN PERMISSION</p>   |  |   |  |
| <p>EC NO: 117955</p> <p>DRWN: PKABUR</p> <p>CHKD: KDEKOSKI</p> <p>REV APPR: 2017/05/15</p>   |  | <p>2017/06/14</p> <p>GENERAL TOLERANCES (UNLESS SPECIFIED)</p> <p>ANGULAR TOL ± 3.0 °</p> <p>4 PLACES ±</p> <p>3 PLACES ±</p> <p>2 PLACES ± 0.1</p> <p>1 PLACE ± 0.3</p> <p>0 PLACES ±</p> |  | <p>DIMENSION UNITS: MM</p> <p>SCALE: 5:1</p> <p>DRWN BY: KCUNNINGHAM</p> <p>DATE: 2011/11/08</p> <p>CHK'D BY: MVANSLAMBROU</p> <p>DATE: 1/26/2012</p> <p>APPR BY: KDEKOSKI</p> <p>DATE: 2017/06/14</p> |  | <p><b>molex</b></p> <p>MX150 2 WAY CABLE SEAL RECEPTACLE CONN. SYSTEM (5.0MM PITCH)</p> |  |
| <p>DRAFT WHERE APPLICABLE MUST REMAIN WITHIN DIMENSIONS</p>  |  | <p>DRAWING SIZE: E</p> <p>THIRD ANGLE PROJECTION</p>   |  | <p>PRODUCT CUSTOMER DRAWING</p> <p>SERIES: 34062</p> <p>MATERIAL NUMBER: N/A</p> <p>CUSTOMER: GENERAL MARKET</p>   |  |   |  |
| <p>RELEASE STATUS</p>  |  | <p>RELEASE DATE</p>  |  | <p>DOCUMENT NUMBER: SD-34062-002</p> <p>DOC TYPE: PSD</p> <p>DOC PART: 000</p> <p>SHEET NUMBER: 5 OF 5</p>   |  | <p>DATE: 2017/06/14</p>   |  |

MX150 2 WAY CABLE SEAL RECEPTACLE CONNECTION SYSTEM (5.0mm PITCH)  
BOM AND PIN OUT SHEET



| RECOMMENDED MATING DEVICE TABLE |                             |                      |   |
|---------------------------------|-----------------------------|----------------------|---|
| ABBREVIATION                    | DESCRIPTION                 | DRAWING INFORMATION  | ADDITIONAL INFORMATION  |
| 1                               | USCAR INTERFACE             | 150-S-002-1-Z01      | <a href="http://ewcap.uscar1.com.org">http://ewcap.uscar1.com.org</a> |
| 2                               | MOLEX INTERFACE             | SD-34062-002 SHEET 5 |   |
| 3                               | MOLEX INLINE MALE CONNECTOR | E-34675-001          |   |

| BOM/ APPLICABLE COMPONENTS TABLE |                                     |             |                                |  |
|----------------------------------|-------------------------------------|-------------|--------------------------------|--|
| ABBREVIATION                     | DESCRIPTION                         | COLOR       | MATERIAL                       |  |
| A-BLK                            | HOUSING OPTION A                    | BLACK       | PA6 GF30                       |  |
| B-LG                             | HOUSING OPTION B                    | LIGHT GRAY  | PA6 GF30                       |  |
| B-BLK                            | HOUSING OPTION B                    | BLACK       | PA6 GF30                       |  |
| C-BLK                            | HOUSING OPTION C                    | BLACK       | PA6 GF30                       |  |
| D-BLK                            | HOUSING OPTION D                    | BLACK       | PA6 GF30                       |  |
| D-LG                             | HOUSING OPTION D                    | LIGHT GRAY  | PA6 GF30                       |  |
| E-BLK                            | HOUSING OPTION E                    | BLACK       | PA6 GF30                       |  |
| F-LG                             | HOUSING OPTION F                    | LIGHT GRAY  | PA6 GF30                       |  |
| G-BLK                            | HOUSING OPTION G                    | BLACK       | PA6 GF30                       |  |
| A-BLK-CLIP                       | HOUSING OPTION A WITH CLIPSLOT      | BLACK       | PA6 GF30                       |  |
| B-LG-CLIP                        | HOUSING OPTION B WITH CLIPSLOT      | LIGHT GRAY  | PA6 GF30                       |  |
| B-BLK-CLIP                       | HOUSING OPTION B WITH CLIPSLOT      | BLACK       | PA6 GF30                       |  |
| C-BLK-CLIP                       | HOUSING OPTION C WITH CLIPSLOT      | BLACK       | PA6 GF30                       |  |
| D-BLK-CLIP                       | HOUSING OPTION D WITH CLIPSLOT      | BLACK       | PA6 GF30                       |  |
| D-LG-CLIP                        | HOUSING OPTION D WITH CLIPSLOT      | LIGHT GRAY  | PA6 GF30                       |  |
| A-BLK-SV                         | HOUSING OPTION A - SEVERE VIBRATION | BLACK       | PA6 GF30                       |  |
| C-BLK-SV                         | HOUSING OPTION C - SEVERE VIBRATION | BLACK       | PA6 GF30                       |  |
| D-BLK-SV                         | HOUSING OPTION D - SEVERE VIBRATION | BLACK       | PA6 GF30                       |  |
| R3                               | RING SEAL TEMP. CLASS 3             | MEDIUM BLUE | INHERENTLY LUBRICATED SILICONE |  |
| R4                               | RING SEAL TEMP. CLASS 4             | GREEN       | INHERENTLY LUBRICATED SILICONE |  |
| CPA                              | CPA                                 | RED         | PBT GF30                       |  |
| TPA                              | INSERT, TPA                         | NATURAL     | PBT GF30                       |  |

FOR ADDITIONAL INFORMATION SEE SD-34062-002

| ASSEMBLY DESCRIPTION                         | ASSEMBLY PART NUMBER | COMPONENT   |     |     |           | ASSEMBLY OPERATING TEMPERATURE | RECOMMENDED MATING DEVICE |   |   | PRODUCTION TOOL STATUS | COMMENTS                  |
|--|----------------------|---|-----|-----|-----------|--------------------------------|---------------------------|---|---|------------------------|---------------------------|
|  |                      | THE PRESENCE OF AN ABBREVIATION INDICATES THE PRESENCE OF THAT COMPONENT. |     |     |           |                                | 1                         | 2 | 3 |                        |                           |
|  |                      | HOUSING OPTION/COLOR  | TPA | CPA | RING SEAL |                                |                           |   |   |                        |                           |
| OPTION A, BLACK, W/O CPA                     | 34062-0021           | A-BLK   | TPA |     | R3        | -40° C TO 125° C               | 1                         | 2 |   | SALEABLE               |                           |
| OPTION B, LIGHT GRAY, W/O CPA                | 34062-0022           | B-LG  | TPA |     | R3        | -40° C TO 125° C               | 1                         | 2 | 3 | SALEABLE               | PREFERRED, FULLY SHROUDED |
| OPTION C, BLACK, W/O CPA                     | 34062-0023           | C-BLK   | TPA |     | R3        | -40° C TO 125° C               | 1                         | 2 | 3 | SALEABLE               | PREFERRED, FULLY SHROUDED |
| OPTION D, BLACK, W/O CPA                     | 34062-0024           | D-BLK   | TPA |     | R3        | -40° C TO 125° C               | 1                         | 2 |   | SALEABLE               |                           |
| OPTION D, LIGHT GRAY, W/O CPA                | 34062-0029           | D-LG  | TPA |     | R3        | -40° C TO 125° C               | 1                         | 2 |   | SALEABLE               |                           |
| OPTION A, BLACK, W/ CPA                      | 34062-0025           | A-BLK   | TPA | CPA | R3        | -40° C TO 125° C               | 1                         | 2 |   | SALEABLE               |                           |
| OPTION B, LIGHT GRAY, W/ CPA                 | 34062-0026           | B-LG  | TPA | CPA | R3        | -40° C TO 125° C               | 1                         | 2 | 3 | SALEABLE               | PREFERRED, FULLY SHROUDED |
| OPTION C, BLACK, W/ CPA                      | 34062-0027           | C-BLK   | TPA | CPA | R3        | -40° C TO 125° C               | 1                         | 2 | 3 | SALEABLE               | PREFERRED, FULLY SHROUDED |
| OPTION D, BLACK, W/ CPA                      | 34062-0028           | D-BLK   | TPA | CPA | R3        | -40° C TO 125° C               | 1                         | 2 |   | SALEABLE               |                           |
| OPTION D, LIGHT GRAY, W/ CPA                 | 34062-0030           | D-LG  | TPA | CPA | R3        | -40° C TO 125° C               | 1                         | 2 |   | SALEABLE               |                           |
| OPTION A, BLACK, WITH CLIPSLOT, W/O CPA      | 34062-0031           | A-BLK-CLIP  | TPA |     | R3        | -40° C TO 125° C               | 1                         | 2 |   | SALEABLE               |                           |
| OPTION B, LIGHT GRAY, WITH CLIPSLOT, W/O CPA | 34062-0032           | B-LG-CLIP   | TPA |     | R3        | -40° C TO 125° C               | 1                         | 2 | 3 | SALEABLE               | PREFERRED, FULLY SHROUDED |
| OPTION C, BLACK, WITH CLIPSLOT, W/O CPA      | 34062-0033           | C-BLK-CLIP  | TPA |     | R3        | -40° C TO 125° C               | 1                         | 2 | 3 | SALEABLE               | PREFERRED, FULLY SHROUDED |
| OPTION D, BLACK, WITH CLIPSLOT, W/O CPA      | 34062-0034           | D-BLK-CLIP  | TPA |     | R3        | -40° C TO 125° C               | 1                         | 2 |   | SALEABLE               |                           |
| OPTION D, LIGHT GRAY, WITH CLIPSLOT, W/O CPA | 34062-0035           | D-LG-CLIP   | TPA |     | R3        | -40° C TO 125° C               | 1                         | 2 |   | SALEABLE               |                           |
| OPTION A, BLACK, WITH CLIPSLOT, W/ CPA       | 34062-0036           | A-BLK-CLIP  | TPA | CPA | R3        | -40° C TO 125° C               | 1                         | 2 |   | SALEABLE               |                           |
| OPTION B, LIGHT GRAY, WITH CLIPSLOT, W/ CPA  | 34062-0037           | B-LG-CLIP   | TPA | CPA | R3        | -40° C TO 125° C               | 1                         | 2 | 3 | SALEABLE               | PREFERRED, FULLY SHROUDED |
| OPTION C, BLACK, WITH CLIPSLOT, W/ CPA       | 34062-0038           | C-BLK-CLIP  | TPA | CPA | R3        | -40° C TO 125° C               | 1                         | 2 | 3 | SALEABLE               | PREFERRED, FULLY SHROUDED |
| OPTION D, BLACK, WITH CLIPSLOT, W/ CPA       | 34062-0039           | D-BLK-CLIP  | TPA | CPA | R3        | -40° C TO 125° C               | 1                         | 2 |   | SALEABLE               |                           |
| OPTION D, LIGHT GRAY, WITH CLIPSLOT, W/ CPA  | 34062-0040           | D-LG-CLIP   | TPA | CPA | R3        | -40° C TO 125° C               | 1                         | 2 |   | SALEABLE               |                           |
| OPTION A, BLACK, SEVERE VIBRATION, W/ CPA    | 34062-4006           | A-BLK-SV  | TPA | CPA | R4        | -40° C TO 155° C               | 1                         | 2 |   | SALEABLE               |                           |
| OPTION C, BLACK, SEVERE VIBRATION, W/ CPA    | 34062-4008           | C-BLK-SV  | TPA | CPA | R4        | -40° C TO 155° C               | 1                         | 2 |   | SALEABLE               | PREFERRED, FULLY SHROUDED |
| OPTION D, BLACK, SEVERE VIBRATION, W/ CPA    | 34062-4009           | D-BLK-SV  | TPA | CPA | R4        | -40° C TO 155° C               | 1                         | 2 |   | SALEABLE               |                           |
| OPTION E, BLACK, W/O CPA                     | 34062-0041           | E-BLK   | TPA |     | R4        | -40° C TO 155° C               | 1                         | 2 |   | SALEABLE               | PREFERRED, FULLY SHROUDED |
| OPTION F, LIGHT GRAY, W/O CPA                | 34062-0042           | F-LG  | TPA |     | R4        | -40° C TO 155° C               | 1                         | 2 |   | SALEABLE               | PREFERRED, FULLY SHROUDED |
| OPTION G, BLACK, W/O CPA                     | 34062-0043           | G-BLK   | TPA |     | R4        | -40° C TO 155° C               | 1                         | 2 |   | SALEABLE               | PREFERRED, FULLY SHROUDED |
| OPTION E, BLACK, W/ CPA                      | 34062-0044           | E-BLK   | TPA | CPA | R4        | -40° C TO 155° C               | 1                         | 2 |   | SALEABLE               | PREFERRED, FULLY SHROUDED |
| OPTION F, LIGHT GRAY, W/ CPA                 | 34062-0045           | F-LG  | TPA | CPA | R4        | -40° C TO 155° C               | 1                         | 2 |   | SALEABLE               | PREFERRED, FULLY SHROUDED |
| OPTION G, BLACK, W/ CPA                      | 34062-0046           | G-BLK   | TPA | CPA | R4        | -40° C TO 155° C               | 1                         | 2 |   | SALEABLE               | PREFERRED, FULLY SHROUDED |
| OPTION A, BLACK, W/ CPA                      | 34062-0047           | A-BLK   | TPA | CPA | R3        | -40° C TO 125° C               | 1                         | 2 |   | SALEABLE               |                           |
| OPTION B, LIGHT GRAY, W/O CPA                | 34062-0048           | B-LG  | TPA |     | R4        | -40° C TO 155° C               | 1                         | 2 | 3 | SALEABLE               | PREFERRED, FULLY SHROUDED |
| OPTION C, BLACK, W/O CPA                     | 34062-0049           | C-BLK   | TPA |     | R4        | -40° C TO 155° C               | 1                         | 2 | 3 | SALEABLE               | PREFERRED, FULLY SHROUDED |
| OPTION B, LIGHT GRAY, W/ CPA                 | 34062-0050           | B-LG  | TPA | CPA | R4        | -40° C TO 155° C               | 1                         | 2 | 3 | SALEABLE               | PREFERRED, FULLY SHROUDED |
| OPTION C, BLACK, W/ CPA                      | 34062-0051           | C-BLK   | TPA | CPA | R4        | -40° C TO 155° C               | 1                         | 2 | 3 | SALEABLE               | PREFERRED, FULLY SHROUDED |
| OPTION B, LIGHT GRAY, WITH CLIPSLOT, W/O CPA | 34062-0052           | B-LG-CLIP   | TPA |     | R4        | -40° C TO 155° C               | 1                         | 2 | 3 | SALEABLE               | PREFERRED, FULLY SHROUDED |
| OPTION C, BLACK, WITH CLIPSLOT, W/O CPA      | 34062-0053           | C-BLK-CLIP  | TPA |     | R4        | -40° C TO 155° C               | 1                         | 2 | 3 | SALEABLE               | PREFERRED, FULLY SHROUDED |
| OPTION B, LIGHT GRAY, WITH CLIPSLOT, W/ CPA  | 34062-0054           | B-LG-CLIP   | TPA | CPA | R4        | -40° C TO 155° C               | 1                         | 2 | 3 | SALEABLE               | PREFERRED, FULLY SHROUDED |
| OPTION C, BLACK, WITH CLIPSLOT, W/ CPA       | 34062-0055           | C-BLK-CLIP  | TPA | CPA | R4        | -40° C TO 155° C               | 1                         | 2 | 3 | SALEABLE               | PREFERRED, FULLY SHROUDED |
| OPTION C, BLACK, SEVERE VIBRATION, W/O CPA   | 34062-4003           | C-BLK-SV  | TPA |     | R4        | -40° C TO 155° C               | 1                         | 2 |   | SALEABLE               | PREFERRED, FULLY SHROUDED |
| OPTION D, BLACK, SEVERE VIBRATION, W/O CPA   | 34062-4004           | D-BLK-SV  | TPA |     | R4        | -40° C TO 155° C               | 1                         | 2 |   | SALEABLE               |                           |
| OPTION D, BLACK, WITH CLIPSLOT, W/ CPA       | 34062-0056           | D-BLK-CLIP  | TPA | CPA | R4        | -40° C TO 155° C               | 1                         | 2 |   | SALEABLE               |                           |
| OPTION A, BLACK, WITH CLIPSLOT, W/ CPA       | 34062-0057           | A-BLK-CLIP  | TPA | CPA | R3        | -40° C TO 125° C               | 1                         | 2 |   | SALEABLE               |                           |
| OPTION B, BLACK, W/O CPA                     | 34062-0058           | B-BLK   | TPA |     | R3        | -40° C TO 125° C               | 1                         | 2 | 3 | SALEABLE               | PREFERRED, FULLY SHROUDED |
| OPTION B, BLACK, W/ CPA                      | 34062-0059           | B-BLK   | TPA | CPA | R3        | -40° C TO 125° C               | 1                         | 2 | 3 | SALEABLE               | PREFERRED, FULLY SHROUDED |
| OPTION B, BLACK, WITH CLIPSLOT, W/O CPA      | 34062-0060           | B-BLK-CLIP  | TPA |     | R3        | -40° C TO 125° C               | 1                         | 2 | 3 | SALEABLE               | PREFERRED, FULLY SHROUDED |
| OPTION B, BLACK, WITH CLIPSLOT, W/ CPA       | 34062-0061           | B-BLK-CLIP  | TPA | CPA | R3        | -40° C TO 125° C               | 1                         | 2 | 3 | SALEABLE               | PREFERRED, FULLY SHROUDED |