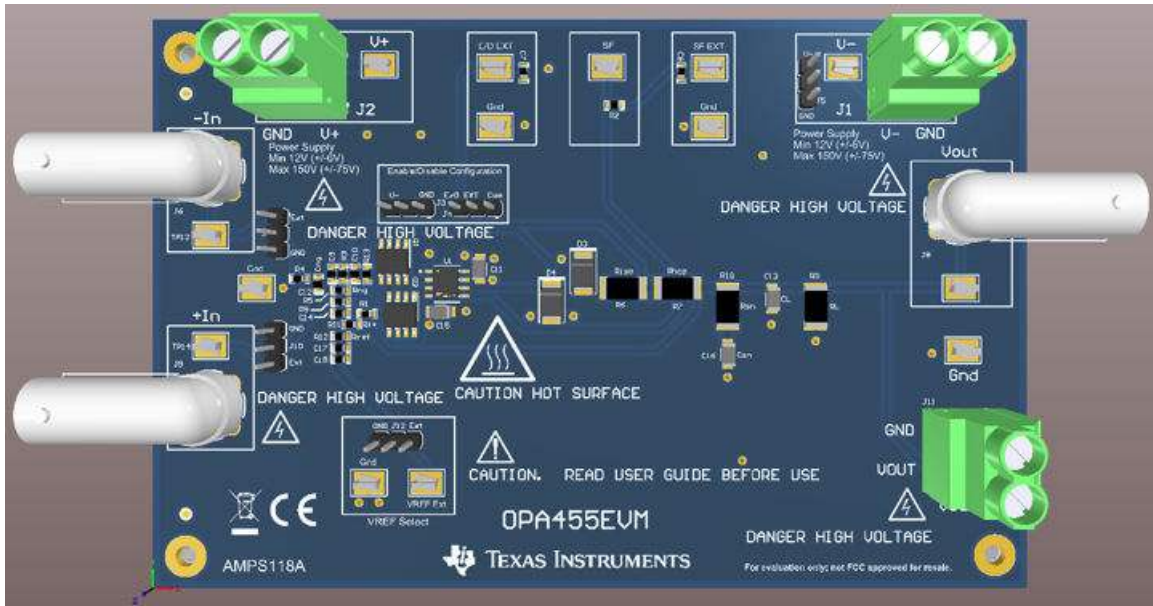


# User's Guide

## OPA455EVM Evaluation Module



### ABSTRACT



This user's guide describes the characteristics, operation, and use of the evaluation module (EVM) for the OPA455. The EVM is designed to evaluate the performance of the devices in both single and dual-supply configurations. This document also includes the schematic, printed circuit board (PCB) layout, and a bill of materials (BOM). Throughout this document the terms *evaluation board*, *evaluation module*, and *EVM* are synonymous with OPA455EVM.

### WARNING

Danger: HIGH VOLTAGE! This evaluation board is intended for professional use only. It has exposed high voltages. Do not operate this board without proper high-voltage/high-current safety practices. Read [Section 1.4](#) before using the EVM.

## Table of Contents

<b>1 Overview</b> .....	4
1.1 OPA455.....	4
1.2 OPA455EVM.....	4
1.3 Related Documentation.....	4
1.4 Evaluation Module Limitations and Cautions.....	4
<b>2 Getting Started</b> .....	5
2.1 Power Supplies.....	5
2.2 Jumpers.....	5
2.3 Inputs.....	5
2.4 Outputs.....	5
2.5 Enable or Disable (E/D).....	6
2.6 Status Flag.....	6
<b>3 Application Circuits</b> .....	7
3.1 Improved Howland Current Pump.....	7
<b>4 Schematic, PCB Layout, and Bill of Materials</b> .....	10
4.1 EVM Schematic.....	10
4.2 EVM Default Configuration.....	11
4.3 PCB Layout.....	12
4.4 Bill of Materials.....	13

## List of Figures

Figure 3-1. Practical, 20-mA, Improved Howland Current-Pump Circuit.....	7
Figure 3-2. Improved Howland Current Pump Output-Voltage Compliance Range.....	8
Figure 3-3. Improved Howland Current Pump Applied as a Peak AC-Current Generator.....	9
Figure 4-1. OPA455EVM Schematic.....	10
Figure 4-2. OPA455EVM Default Configuration.....	11
Figure 4-3. OPA455EVM PCB Layout.....	12

## List of Tables

Table 1-1. Related Documentation.....	4
Table 2-1. Jumper Table.....	5
Table 4-1. OPA455EVM BOM.....	13

## Trademarks

PowerPAD™ is a trademark of Texas Instruments.

All other trademarks are the property of their respective owners.

## 1 Overview

### 1.1 OPA455

The [OPA455](#) is a precision power amplifier capable of operating over a very wide supply range of  $\pm 6$  V to  $\pm 75$  V, with an input common-mode range that extends to within a few volts from each rail. This amplifier is composed of an internal differential input amplifier stage, followed by a voltage amplifier, and finally, a high-current output stage. This device is designed to avoid phase inversion problems that are typically found in similar op amps. The OPA455 is unity-gain stable, and comes in an SO PowerPAD™ package.

### 1.2 OPA455EVM

The OPA455EVM is intended to provide basic functional evaluation of the OPA455. The EVM provides the following features:

- Easy access to pertinent nodes with test points and terminal blocks
- Convenient input and output filtering
- Access to multiple nodes and footprints for compensation
- Protection against power supply sequencing and inductive load kickback
- Configurable for any common amplifier topology, including the improved Howland current pump
- Footprints for providing a flexible reference voltage

### 1.3 Related Documentation

The documents listed in [Table 1-1](#) provide information about TI's integrated circuits and support tools for the OPA455EVM.

**Table 1-1. Related Documentation**

Document	Literature Number
<a href="#">OPA455</a> Product Data Sheet	<a href="#">SBOSA16</a>
<a href="#">OPA462</a> Product Data Sheet	<a href="#">SBOS803</a>
<a href="#">OPA445</a> Product Data Sheet	<a href="#">SBOS156</a>

### 1.4 Evaluation Module Limitations and Cautions

The OPA455EVM is designed to safely withstand the maximum rated supply, input and output voltages, and current levels specified for the OPA455 high-voltage op amp. In addition to observing maximum voltage and current limitations, proper electrostatic discharge precautions are advised when handling and applying the EVM.

#### 1.4.1 High-Voltage Warning

The OPA455 is rated for supply voltages up to  $\pm 75$  V (150 V for single supply), and common-mode input voltages up to  $\pm 70$  V. When using the device and EVM under such circumstances, all proper safety practices must be followed. Do not apply more than rated voltages. See the [OPA455 data sheet](#) for additional information.

#### 1.4.2 Electrostatic Discharge Caution

Many of the components on the OPA455EVM are susceptible to damage by electrostatic discharge (ESD). Customers are advised to observe proper ESD handling precautions when unpacking and handling the EVM, including the use of a grounded wrist strap at an approved ESD workstation.

#### CAUTION

A wrist strap may only be used with circuit voltages less than 100 V. For circuit voltages equal to or greater than 100 V, use an ionizer.

## 2 Getting Started

This section explains the connectors and jumpers, and details the basic EVM functionality.

### 2.1 Power Supplies

The OPA455EVM can be configured from  $\pm 6$  V to  $\pm 75$  V for dual-supply operation, or from 12 V to 150 V for single-supply operation. Shorting pins 2 and 3 of J5 sets the EVM to single supply, and shorting pins 1 and 2 of J5 sets up the EVM for dual supplies. The OPA455 is capable of sourcing or sinking up to 30 mA of current. Power is provided to the EVM through J2 (V+) and J1 (V-). Take care to select supplies capable of providing the required power for the application. Use a supply capable of supplying at least twice the anticipated current at the intended operating voltage.

### 2.2 Jumpers

There are six jumpers located on the OPA455EVM. The jumper functions are summarized in [Table 2-1](#).

**Table 2-1. Jumper Table**

Jumper	Function
J3	Enable or disable (E/D) common configuration
J4	Enable or disable (internal or external)
J5	Sets the negative supply to GND for single-supply operation.
J7	Selects inverting input (external or GND)
J10	Selects noninverting input (external or GND)
J12	Sets the reference voltage at the noninverting pin

### 2.3 Inputs

The inputs to the EVM can be any signal within the common-mode voltage range. BNC connectors are available at both inputs to allow for easy interfacing with signal generators or other equipment. Additionally, signals can be input using test points TP12 (IN-) and TP14 (IN+).

Jumpers J7 and J10 set the voltages seen at IN- and IN+, respectively. Short pins 2 and 3 of these jumpers to set the inputs to GND. Short pins 1 and 2 to allow whatever voltages present at the input BNCs to be passed to the op amp.

The OPA455 non-inverting input may be set up to have a voltage divider in its path. PC board resistor locations R8 and R12 would need to be populated with the appropriate divider resistances. A jumper is then added between J12, pins 2 and 3, to complete the divider. Additionally, J12 may be used to route an externally-applied reference voltage from the TP15 (VREF Ext) test point, to the OPA455 non-inverting input. A jumper is placed across J12, pins 1 and 2, to establish the connection.

### 2.4 Outputs

The output of the EVM can be monitored from TP13. A BNC connector, J8, and terminal block, J11, are also provided to interface with other equipment or circuits. The EVM includes footprints for a load resistor, load capacitor, and an RC snubber network. If significant power is going to be driven into the load, use external loads.

## 2.5 Enable or Disable (E/D)

The OPA455 incorporates a disable feature that can be set using jumpers J3 and J4 on the EVM. The disable is accomplished without disturbing the input signal path, which helps save power in addition to protecting the load. Jumper J3 sets the voltage of the E/D Com pin, which can be set to either the negative rail or GND. The voltage at the E/D Com pin serves as the reference voltage for the E/D pin. J4 sets the voltage at the E/D pin. The device is enabled by floating the E/D pin, or by forcing the E/D pin high using an external voltage. If forcing the E/D pin high, the pin must be pulled at least 2.5 V greater than the E/D Com pin, but should not be pulled any more than 5 V greater than the E/D Com pin. Shorting the E/D pin to the E/D Com pin disables the device.

## 2.6 Status Flag

The OPA455 incorporates a status flag pin to indicate overcurrent or overtemperature conditions. This pin is an open-drain, active-low output that allows the pin to be easily interfaced with standard low-voltage logic. The pin goes active if the junction temperature of the device rises to greater than 150°C, and resets after the device cools to 130°C. Additionally, the pin goes active if the device attempts to source more than the maximum continuous current of 30 mA. The status flag can be monitored from TP2, and an external pullup voltage can be input on TP11.

### 2.6.1 Circuit Protection

The OPA455EVM is protected from inductive surges and power supply transients by ultra-fast rectifier diodes at the amplifier output pin, and transient voltage suppressors (TVS) at the power supply inputs. See D1, D2, D3, and D4 on the schematic shown in [Figure 4-1](#), and in the BOM shown in [Table 4-1](#).

In addition, footprints have been provided for optional components Q1 and Q2. These may be used to protect the amplifier inputs from voltage transients that briefly exceed the maximum input voltage. See the [BOM](#) at the end of this document for the recommended part number.

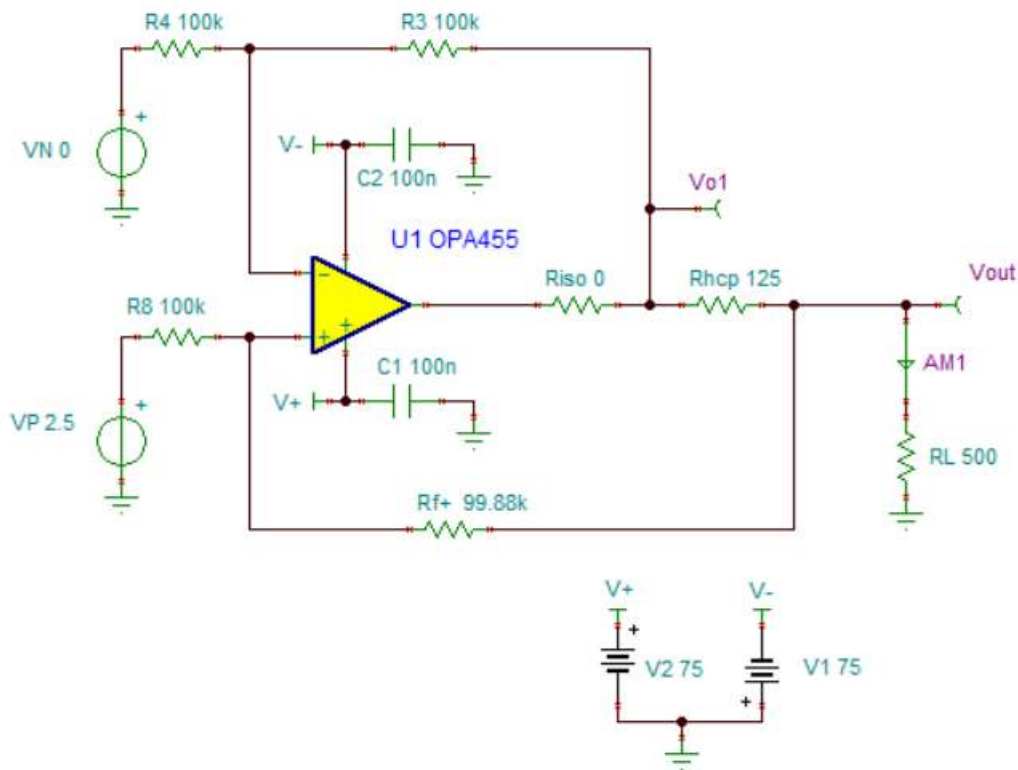
### 3 Application Circuits

The OPA455EVM may be configured in most standard op amp circuits. See the [OPA455 data sheet](#) for typical applications.

#### 3.1 Improved Howland Current Pump

The OPA455EVM can be configured as an improved Howland current pump that provides an output current proportional to a single- or differential-input voltage. The improved Howland current pump is described and analyzed in section 3 of [A Comprehensive Study of the Howland Current Pump Application Report](#). Information about how the current-pump resistor values are determined for a particular input voltage and a corresponding output current is provided in the application report. The report information is applied here in this section as a practical use for the OPA455EVM.

The OPA455EVM, as configured in [Figure 3-1](#), sources on an output current of  $-20\text{ mA}$  when a single-ended input voltage of  $2.5\text{ V}$  is applied to the VP input. If the input voltage sign is reversed, the output reverses direction and sinks  $20\text{ mA}$ . The circuit in [Figure 3-1](#) provides the resistance values required to obtain the correct  $20\text{-mA}$  output current. The resistor and capacitor labels correspond to those screened on the OPA455EVM printed circuit board. As shown in [Figure 3-1](#), when  $R_L$  is equal to  $500\ \Omega$ , the sourced output current level is  $-20\text{ mA}$ , and  $V_{out}$  is  $10\text{ V}$ , as Ohm's law dictates.

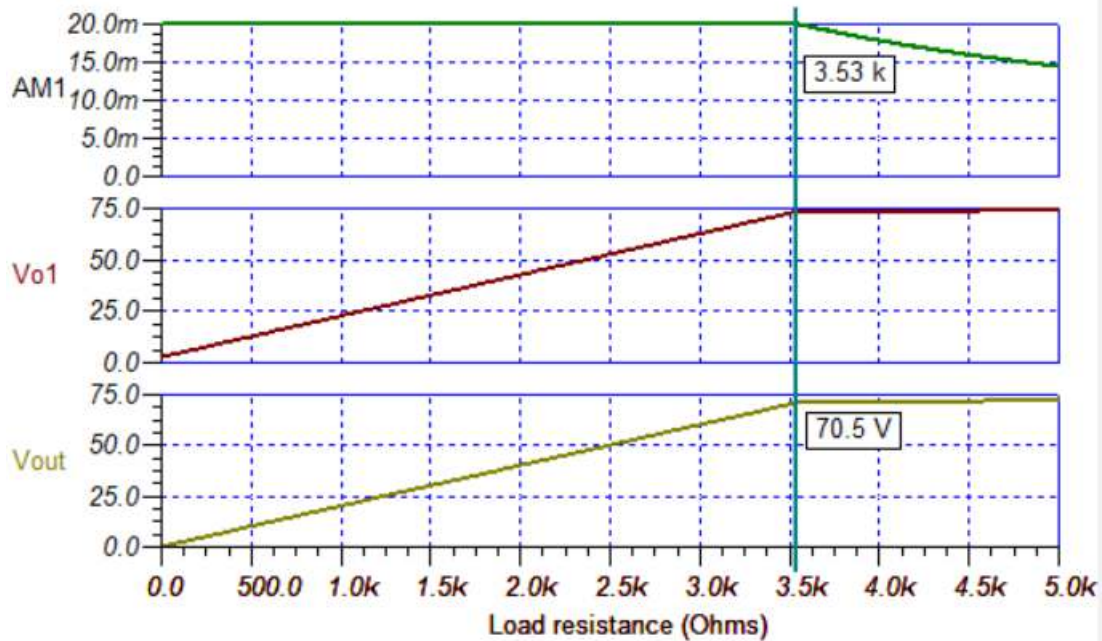


**Figure 3-1. Practical, 20-mA, Improved Howland Current-Pump Circuit**

Practical current sources have a limited output voltage range that can be provided. The OPA455 op amp has a wide output voltage range because of the high-voltage supplies used. The OPA455 data sheet provides information about the linear output voltage range that should always be observed.

For the improved Howland current pump application, the output voltage ( $V_{out}$ ) that is attainable at the load is further constrained by the voltage drop developed across  $R_{13}$ . The  $20\text{-mA}$  load current flows through the resistor, and develops a voltage drop. Therefore, with a fixed  $20\text{-mA}$  output current flowing through  $R_L$ , there is a limit as to how far  $V_{out}$  can swing. For this example, the limit occurs when  $V_{out}$  reaches approximately  $70.5\text{ V}$ , and  $R_L$  is  $3.53\text{ k}\Omega$ . This limit can be seen in [Figure 3-2](#). Resistor  $R_L$  can be any value from  $0\ \Omega$  to  $3.53\text{ k}\Omega$ , and

the output will remain within the circuit linear compliance range. However, if the value of  $R_L$  is increased further, the current pump operation is forced outside the compliance range, and the output current will no longer remain constant. Thus, increasing the value of  $R_L$  to greater than  $3.53\text{ k}\Omega$  defeats the goal of maintaining a constant current.

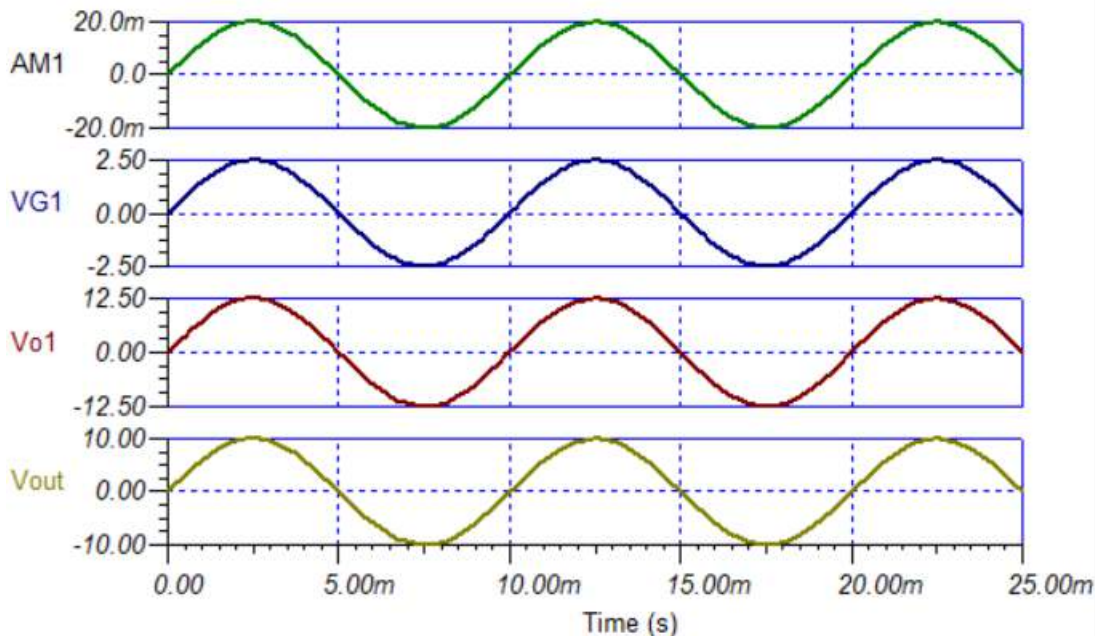


**Figure 3-2. Improved Howland Current Pump Output-Voltage Compliance Range**

The improved Howland current pump can be used to generate an ac waveform with a peak current that corresponds to a maximum specified DC value. A 20-mA DC current source using the OPA455 has been demonstrated, and will now be used to show how a 20-mA peak AC-current waveform can be realized.



The same circuit shown in Figure 3-1 is applied, except the 2.5-VDC VP voltage source in Figure 3-1 is replaced by an 100-Hz AC sine wave source having a peak voltage of 2.5 V. The peak output current depends on the peak voltage level applied at the VP input. A sine wave is used in the example; however, a triangle wave, square wave, or other waveform could be applied instead. Figure 3-3 shows that a 2.5-V peak input sine wave applied to the current pump input, VP, results in a 20-mA peak sine wave at the output, Vout.



**Figure 3-3. Improved Howland Current Pump Applied as a Peak AC-Current Generator**

The improved Howland current pump op amp circuit relies on both negative and positive feedback for operation; more negative feedback than positive feedback, but that feedback does not always provide stability. When unity-gain-stable op amps, such as the OPA455, are employed and they drive a resistive load, the op amp phase margin should be sufficient such that the circuit is stable. However, if the output load is complex, containing both resistive and reactive components ( $R \pm jX$ ), there can be combinations that degrade the phase margin, and instability results. Degradation of the phase margin often occurs when the current pump is used to drive loads that are predominantly inductive.

The OPA455EVM has a number of positions where component may be added to stabilize the various OPA455 amplifier and improved Howland current pump configurations that are supported by the EVM. Some of the component locations that are used for this purpose are R6 (ISO), R5 (Rng), C12 (Cng, noise gain), R10 (Rsn), C16 (Csn, snubber), and C9 and C10 in the feedback loop. Compensation, when required, is determined based on the particular circuit to which the OPA455 is being applied. Op amp stability and compensation is a vast subject covered in numerous TI documents, and TI training programs such as [TI Precision Labs – Op Amps](#).

## 4 Schematic, PCB Layout, and Bill of Materials

This section provides the OPA455EVM hardware schematics and PCB layout.

### 4.1 EVM Schematic

Figure 4-1 depicts the complete OPA455EVM schematic.

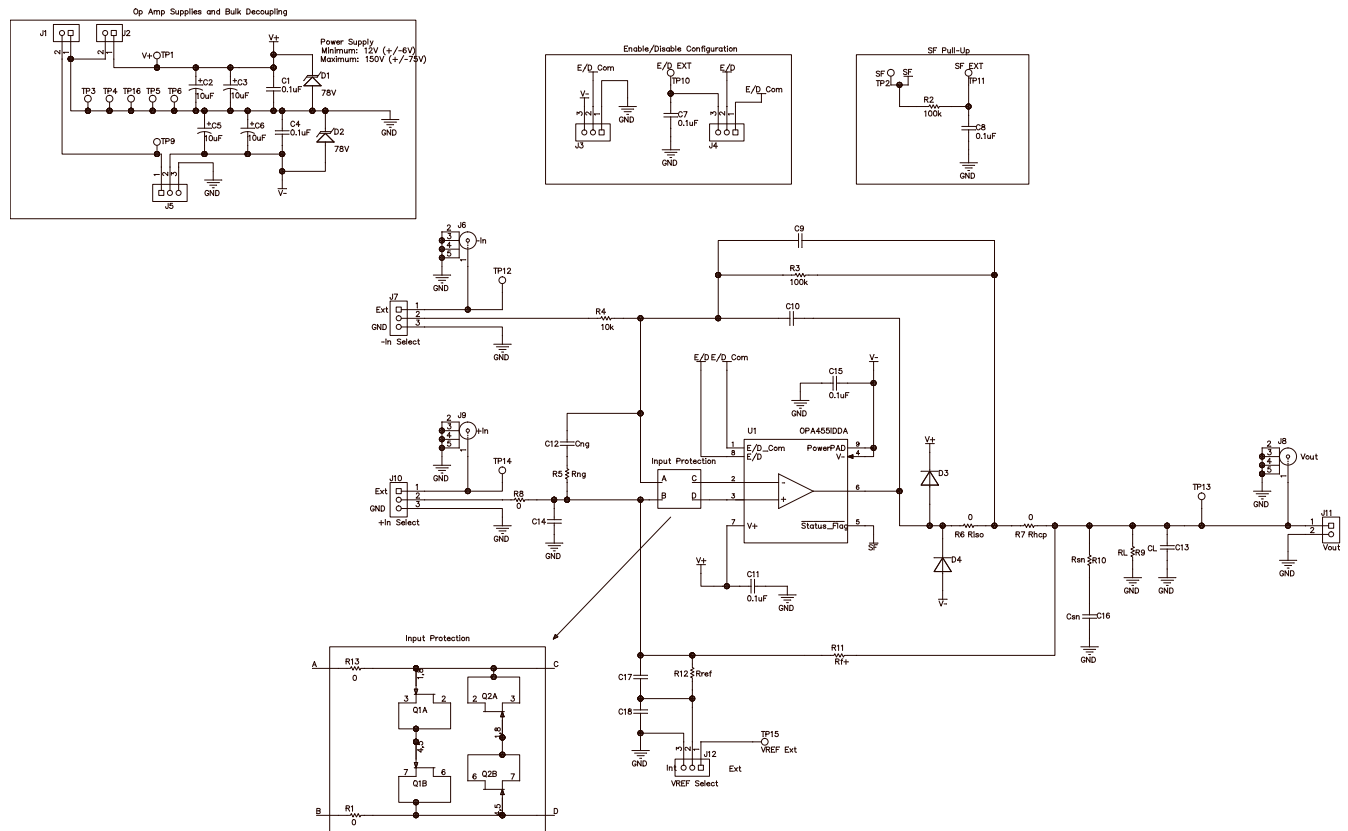
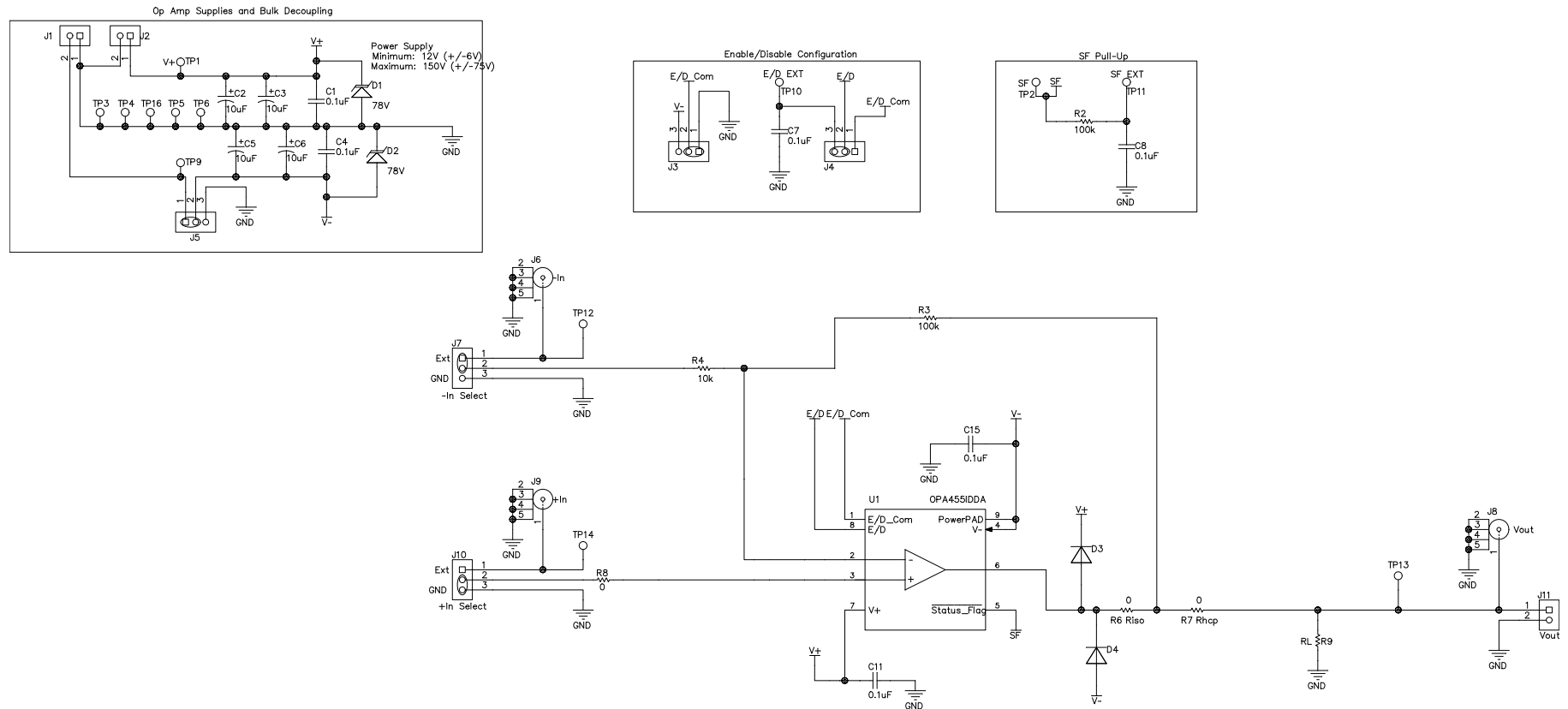


Figure 4-1. OPA455EVM Schematic

## 4.2 EVM Default Configuration

The OPA455EVM ships in a standard amplifier configuration with a noninverting gain of 11. [Figure 4-2](#) shows the schematic for the default configuration. Any components shown on the complete schematic but not on this schematic are optional and not installed.



**Figure 4-2. OPA455EVM Default Configuration**

### 4.3 PCB Layout

Figure 4-3 depicts the PCB layout.

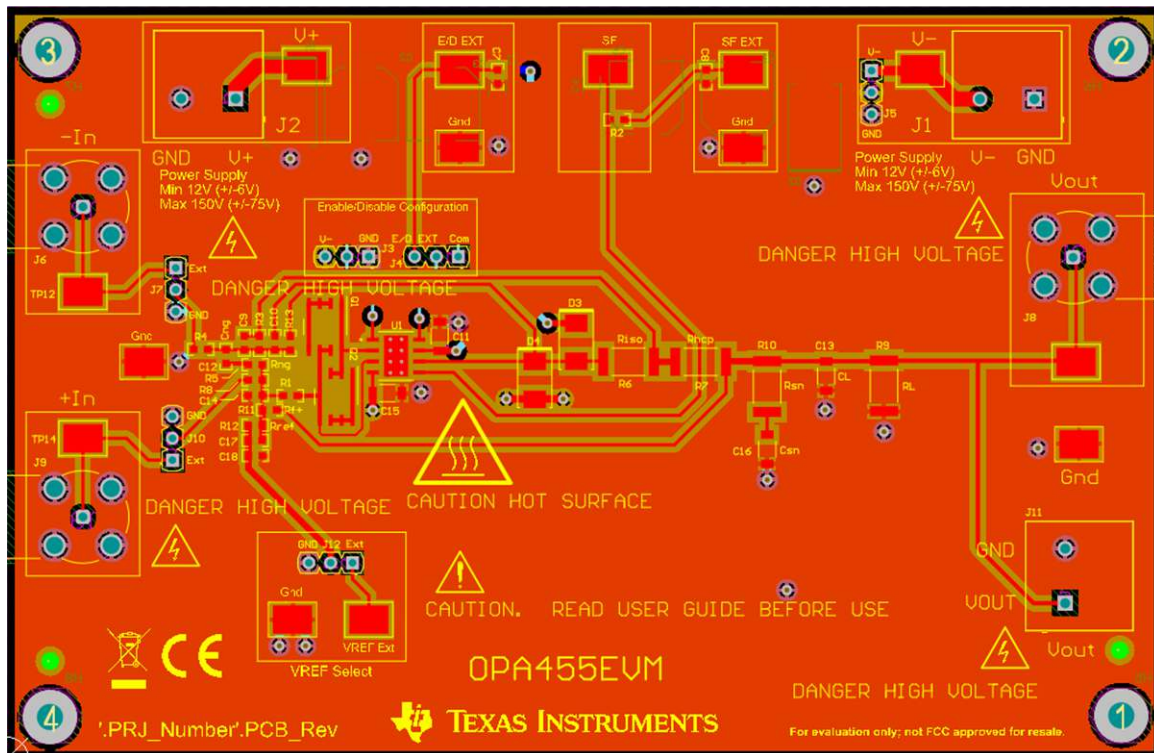


Figure 4-3. OPA455EVM PCB Layout

#### Note

Board layout is not to scale. This figure is intended to show how the board is laid out, and is not intended to be used for manufacturing OPA455EVM PCBs.

## 4.4 Bill of Materials

Table 4-1 lists the bill of materials (BOM) used for the OPA455EVM.

**Table 4-1. OPA455EVM BOM**

Designator	Quantity	Description	Part Number <sup>(1)</sup>	Manufacturer	Notes
PCB	1	Printed Circuit Board	AMPS118A	Any	
C1, C4, C11, C15	4	CAP, CERM, 0.1 uF, 450 V, ±10%, X7T, 1206_190	C3216X7T2W104K160AA	TDK	
C2, C3, C5, C6	4	CAP, AL, 10 uF, 250 V, ±20%, SMD	ULR2E100MNL1GS	Nichicon	
C8	1	CAP, CERM, 0.1 uF, 25 V, ±10%, X7R, 0603	06033C104KAT2A	AVX	
D1, D2	2	Diode, TVS, Uni, 78 V, 126 Vc, SMC	5.0SMDJ78A	Littelfuse	
D3, D4	2	Diode, Ultrafast, 400 V, 1 A, SMB	MURS140-13-F	Diodes Inc.	
H1, H2, H3, H4	4	MACHINE SCREW PAN PHILLIPS 4-40	9900	Keystone	
H5, H6, H7, H8	4		2203	Keystone	
J1, J2, J11	3	Terminal Block, 2x1, 6.35mm, Green, TH	1714955	Phoenix Contact	
J3, J4, J5, J7, J10, J12	6	Header, 2.54mm, 3x1, Tin, TH	68001-403HLF	FCI	
J6, J8, J9	3	BNC Low Profile Elbow Jack, Gold, R/A, TH	5-1634513-1	TE Connectivity	
R1, R8, R13	3	RES, 0, 5%, 0.1 W, 0603	RC0603JR-070RL	Yageo	
R2, R3	2	RES, 100 k, 1%, 0.1 W, AEC-Q200 Grade 0, 0603	CRCW0603100KFKEA	Vishay-Dale	
R4	1	RES, 10.0 k, 0.1%, 0.1 W, 0603	RG1608P-103-B-T5	Susumu Co Ltd	
R6, R7	2	RES, 0, 5%, 1 W, 2512	RC6432J000CS	Samsung	
SH-J1, SH-J2, SH-J3, SH-J4, SH-J5, SH-J6	6	Shunt, 100mil, Gold plated, Black	881545-2	TE Connectivity	
TP1, TP2, TP3, TP4, TP5, TP6, TP9, TP10, TP11, TP12, TP13, TP14, TP15, TP16	14	Test Point, Compact, SMT	5016	Keystone	

**Table 4-1. OPA455EVM BOM (continued)**

Designator	Quantity	Description	Part Number <sup>(1)</sup>	Manufacturer	Notes
U1	1	High-Voltage (150-V), High-Current (30-mA) Operational Amplifier	OPA455IDDAR	Texas Instruments	OPA455IDDA
C7	0	CAP, CERM, 0.1 uF, 25 V, ±10%, X7R, 0603	06033C104KAT2A	AVX	optional - not installed
C9, C10, C12, C14, C17, C18	0	CAP, CERM, 100 pF, 250 V, ±5%, C0G/NP0, AEC-Q200 Grade 1, 0603	AC0603JRNPOYBN101	Yageo	optional - not installed
C13, C16	0	CAP, CERM, 1000 pF, 500 V, ±10%, X7R, 1206_190	C1206C102KCRACU	Kemet	optional - not installed
FID1, FID2, FID3	0	Fiducial mark. There is nothing to buy or mount.	N/A	N/A	optional - not installed
Q1, Q2	0	JFET, 2-CH, N-CH, V, A, SOIC-8	IF1322A	InterFET	optional - not installed
R5, R11, R12	0	RES, 10.0 k, 0.1%, 0.1 W, 0603	RG1608P-103-B-T5	Susumu Co Ltd	optional - not installed
R9, R10	0	RES, 4.70 k, 1%, 1 W, AEC-Q200 Grade 0, 2512	CRCW25124K70FKEG	Vishay-Dale	optional - not installed

(1) Unless otherwise noted all parts may be substituted with electrical, physical equivalents.

## IMPORTANT NOTICE AND DISCLAIMER

TI PROVIDES TECHNICAL AND RELIABILITY DATA (INCLUDING DATA SHEETS), DESIGN RESOURCES (INCLUDING REFERENCE DESIGNS), APPLICATION OR OTHER DESIGN ADVICE, WEB TOOLS, SAFETY INFORMATION, AND OTHER RESOURCES "AS IS" AND WITH ALL FAULTS, AND DISCLAIMS ALL WARRANTIES, EXPRESS AND IMPLIED, INCLUDING WITHOUT LIMITATION ANY IMPLIED WARRANTIES OF MERCHANTABILITY, FITNESS FOR A PARTICULAR PURPOSE OR NON-INFRINGEMENT OF THIRD PARTY INTELLECTUAL PROPERTY RIGHTS.

These resources are intended for skilled developers designing with TI products. You are solely responsible for (1) selecting the appropriate TI products for your application, (2) designing, validating and testing your application, and (3) ensuring your application meets applicable standards, and any other safety, security, regulatory or other requirements.

These resources are subject to change without notice. TI grants you permission to use these resources only for development of an application that uses the TI products described in the resource. Other reproduction and display of these resources is prohibited. No license is granted to any other TI intellectual property right or to any third party intellectual property right. TI disclaims responsibility for, and you will fully indemnify TI and its representatives against, any claims, damages, costs, losses, and liabilities arising out of your use of these resources.

TI's products are provided subject to [TI's Terms of Sale](#) or other applicable terms available either on [ti.com](http://ti.com) or provided in conjunction with such TI products. TI's provision of these resources does not expand or otherwise alter TI's applicable warranties or warranty disclaimers for TI products.

TI objects to and rejects any additional or different terms you may have proposed.

Mailing Address: Texas Instruments, Post Office Box 655303, Dallas, Texas 75265  
Copyright © 2022, Texas Instruments Incorporated