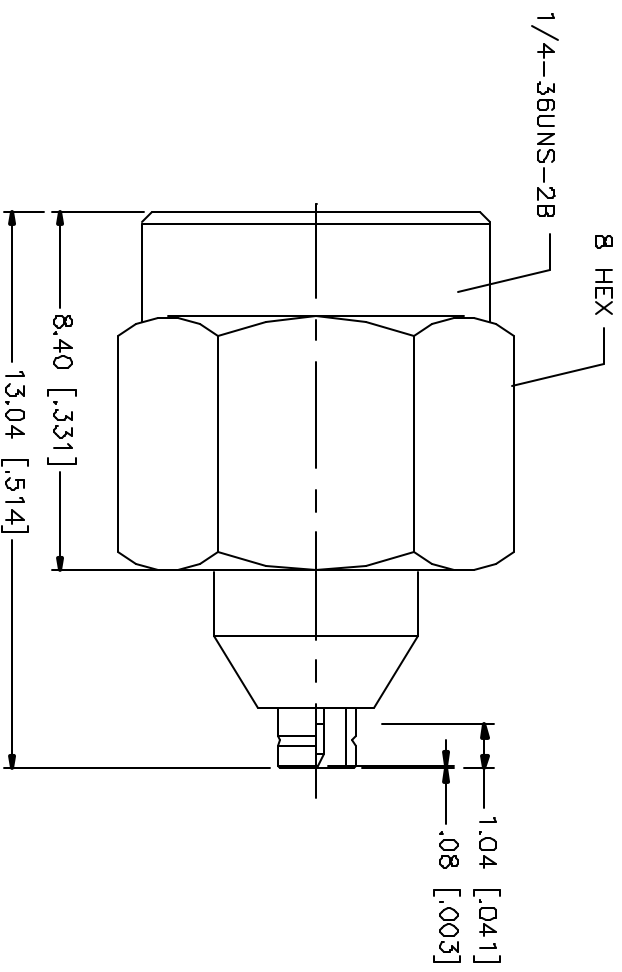


REV.	DATE	DESCRIPTION
A	10/03/04	MODIFY BODY



REV.	DATE	DESCRIPTION	MATERIAL	FINISH	QTY
B					
7					
6					
5					
4					
3			BRASS	GOLD	1
2			TEFLON	NATURAL	1
1			BRASS	GOLD	1
		DESCRIPTION			

<p>ALL DIMENSIONS SHOWN UNLESS OTHERWISE SPECIFIED ARE IN MILLIMETERS. DIMENSIONS FOR MILLIMETERS ARE TO BE USED FOR CURRENT REFERENCE DATA.</p> <p>UNLESS OTHERWISE SPECIFIED DIMENSIONS FOR MILLIMETERS ARE:</p> <p>D15 - 8mm ± 0.20mm 8 - 30mm ± 0.40mm 30 - 120mm ± 0.50mm</p> <p>UNLESS OTHERWISE SPECIFIED TOLERANCES FOR INCHES ARE:</p> <p>.020 - .315 = ± 0.007" .315 - 1.180 = ± 0.015" 1.180 - 4.724 = ± 0.020"</p> <p>DO NOT SCALE DRAWING</p>	<p>APPROVALS</p> <p>DRAWN G.R.S. DATE 10/03/04</p> <p>CHECKED</p> <p>ISSUED</p> <p>SHEET 1 OF 1</p>	<p>CAD FILE C:/242/242212.DWG</p> <p>DWG. NO. 242212.DWG</p> <p>REV. A</p> <p>SIZE A</p> <p>SCALE NA</p>
--	---	--

Amphenol Connex

SMA PLUG WITH AMC JACK ADAPTER

242212