

## Features

- 300mA/1.8V/2.5V Switching Regulator for Baseband Supply
- 2.8V/80mA LDO for Baseband Pad Supply
- Two 130mA/2.8V Low-noise, High PSRR RF LDO Voltage Regulators
- 130mA/2.7V/2.8V Baseband Low-noise, High PSRR Analog LDO Regulator
- Ultra Low-power RTC LDO Voltage Regulator
- Backup Battery Charger
- Li-Ion or Li-polymer Battery Charger Controller
- Buzzer and Vibrator Drivers
- Charging LED Driver
- Power Management Start-up Controller and Reset Generation
- SIM Level Shifters and SIM 10mA/1.8V/2.8V LDO Voltage Regulator
- Ultra-low Sleep Mode Current Consumption (17  $\mu$ A typ)
- Over and Under Voltage Protections
- Over Temperature Protection
- Low-power Mode and Sleep Mode
- Straight and Easy Interfacing to any Baseband Controller
- Small 5x5mm, Forty-nine Ball FBGA Package

## Description

The AT73C202 is a low-cost, ultra low-power, power and battery management IC designed to interface directly with state-of-the-art cellular phones, for example with 2.5G GSM phones. It includes all required power supplies tailored to be fully compatible with the sub-systems of recent mobile phone chipsets, including the RF, analog and digital (DSP, microcontroller, memories) sections.

The AT73C202 integrates a step-down DC-DC converter that supplies 300 mA with internal switches and two levels of voltage programming for the baseband core (1.8V and 2.5V). A low-power mode is available in order to minimize standby current consumption during the “quiet” transmission periods.

In addition, the AT73C202 includes a lowcost battery charger, using a simple external PNP transistor for Li-Ion or Li-Polymer batteries. Battery operating conditions are maintained within safe limits under hardware control during the start-up procedure (when the phone is turned on or a charger is plugged in). The battery pre-charge is also integrated and self-operated by the AT73C202. On completion the fast charge and end-of-charge procedure is transferred to the baseband software.

The AT73C202 integrates 7 low-dropout linear regulators specifically designed to supply RF (x2), analog, memories, etc. It also includes a back-up battery charger and an ultra low-power regulator dedicated to the baseband real-time clock (RTC) supply during sleep mode.

The hardwired start-up mechanism (power management controller state machine) ensures safe telephone operation during the wake-up and shut-down procedures, and during the multiple real-life operating conditions of a mobile phone (such charger plug-in, plug-out, battery plug-in, plug-out, low or dead battery, etc.).

The AT73C202 is packaged into a 49 ball (7x7 matrix), 0.65mm pitch, 5mm x 5mm outline FBGA package.



## Power Management for Mobiles (PM)

### AT73C202

### Summary

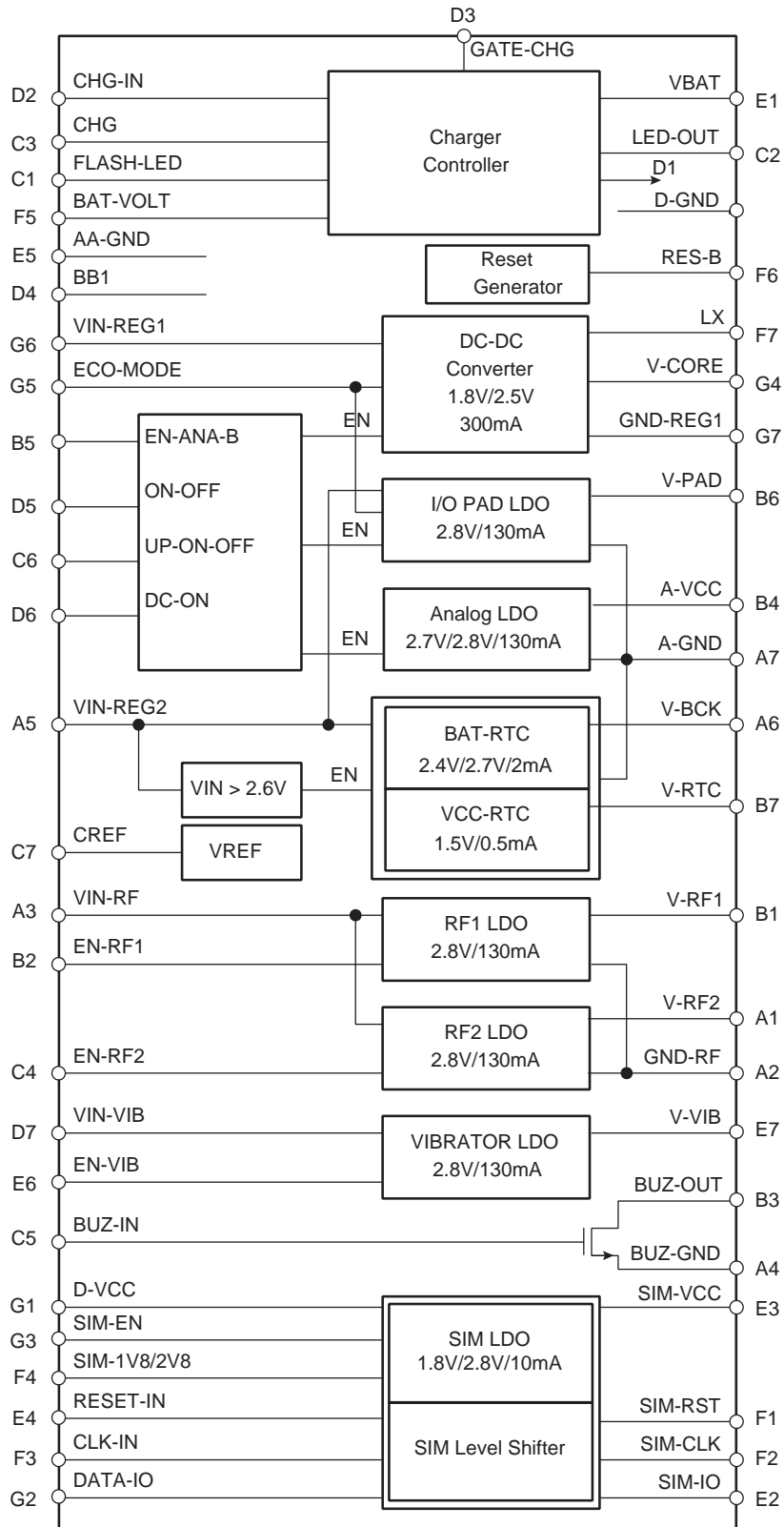
2740BS-PMGMT-12/03



Note: This is a summary document. A complete document is available on our Web site at [www.atmel.com](http://www.atmel.com).

# Functional Diagram

Figure 1. AT73C202 Functional Diagram





## Atmel Corporation

2325 Orchard Parkway  
San Jose, CA 95131, USA  
Tel: 1(408) 441-0311  
Fax: 1(408) 487-2600

## Regional Headquarters

### Europe

Atmel Sarl  
Route des Arsenaux 41  
Case Postale 80  
CH-1705 Fribourg  
Switzerland  
Tel: (41) 26-426-5555  
Fax: (41) 26-426-5500

### Asia

Room 1219  
Chinachem Golden Plaza  
77 Mody Road Tsimshatsui  
East Kowloon  
Hong Kong  
Tel: (852) 2721-9778  
Fax: (852) 2722-1369

### Japan

9F, Tonetsu Shinkawa Bldg.  
1-24-8 Shinkawa  
Chuo-ku, Tokyo 104-0033  
Japan  
Tel: (81) 3-3523-3551  
Fax: (81) 3-3523-7581

## Atmel Operations

### Memory

2325 Orchard Parkway  
San Jose, CA 95131, USA  
Tel: 1(408) 441-0311  
Fax: 1(408) 436-4314

### Microcontrollers

2325 Orchard Parkway  
San Jose, CA 95131, USA  
Tel: 1(408) 441-0311  
Fax: 1(408) 436-4314

La Chantrerie  
BP 70602  
44306 Nantes Cedex 3, France  
Tel: (33) 2-40-18-18-18  
Fax: (33) 2-40-18-19-60

### ASIC/ASSP/Smart Cards

Zone Industrielle  
13106 Rousset Cedex, France  
Tel: (33) 4-42-53-60-00  
Fax: (33) 4-42-53-60-01

1150 East Cheyenne Mtn. Blvd.  
Colorado Springs, CO 80906, USA  
Tel: 1(719) 576-3300  
Fax: 1(719) 540-1759

Scottish Enterprise Technology Park  
Maxwell Building  
East Kilbride G75 0QR, Scotland  
Tel: (44) 1355-803-000  
Fax: (44) 1355-242-743

### RF/Automotive

Theresienstrasse 2  
Postfach 3535  
74025 Heilbronn, Germany  
Tel: (49) 71-31-67-0  
Fax: (49) 71-31-67-2340

1150 East Cheyenne Mtn. Blvd.  
Colorado Springs, CO 80906, USA  
Tel: 1(719) 576-3300  
Fax: 1(719) 540-1759

### Biometrics/Imaging/Hi-Rel MPU/ High Speed Converters/RF Datacom

Avenue de Rochepleine  
BP 123  
38521 Saint-Egreve Cedex, France  
Tel: (33) 4-76-58-30-00  
Fax: (33) 4-76-58-34-80

---

### Literature Requests

[www.atmel.com/literature](http://www.atmel.com/literature)

**Disclaimer:** Atmel Corporation makes no warranty for the use of its products, other than those expressly contained in the Company's standard warranty which is detailed in Atmel's Terms and Conditions located on the Company's web site. The Company assumes no responsibility for any errors which may appear in this document, reserves the right to change devices or specifications detailed herein at any time without notice, and does not make any commitment to update the information contained herein. No licenses to patents or other intellectual property of Atmel are granted by the Company in connection with the sale of Atmel products, expressly or by implication. Atmel's products are not authorized for use as critical components in life support devices or systems.

