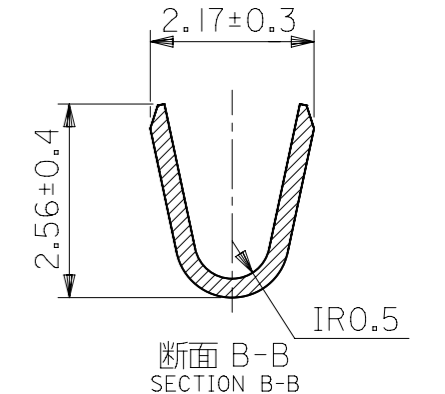
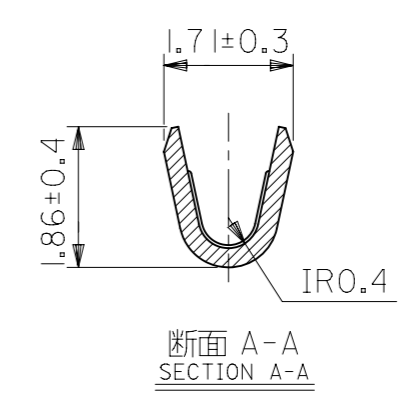
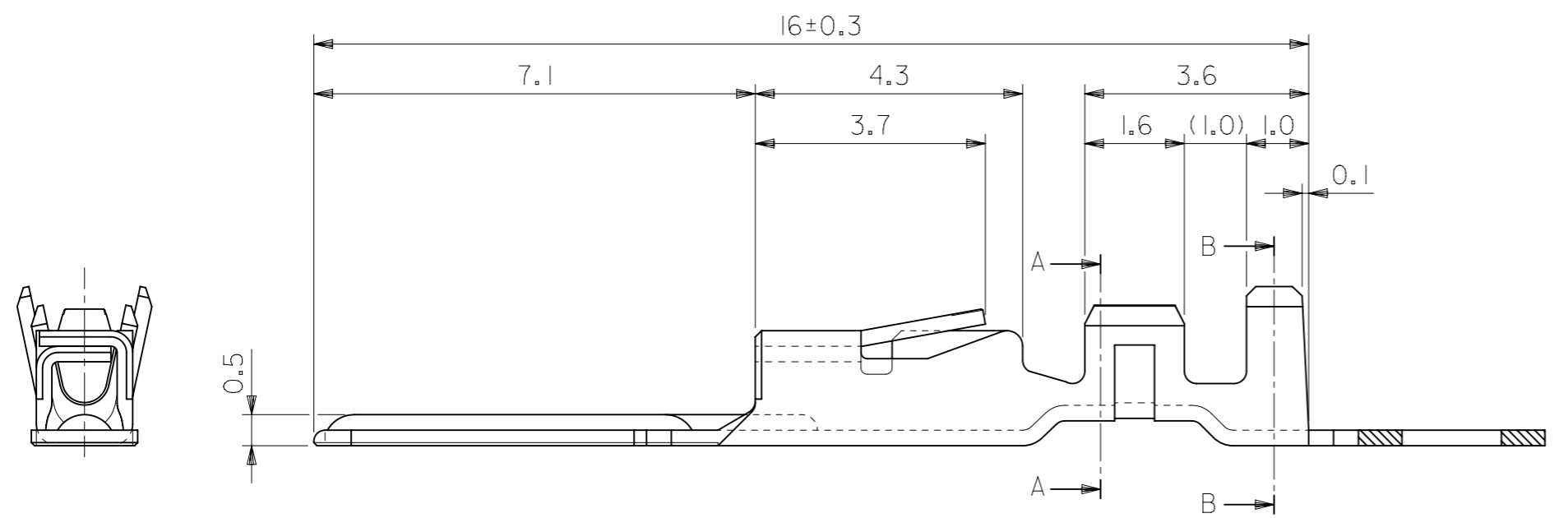


注記
NOTES

- 材質：りん青銅、 $t=0.25$
MATERIAL : PHOSPHOR BRONZE, $t=0.25$
- メッキ仕様
PLATING
接点部：金メッキ $0.76\mu\text{m}$ MIN.
CONTACT AREA : GOLD $0.76\mu\text{m}$ MIN.
圧着部：錫メッキ $1.0\mu\text{m}$ MIN.
CRIMP AREA : TIN $1.0\mu\text{m}$ MIN.
下地メッキ：ニッケルメッキ $2.0\mu\text{m}$ MIN.
UNDER PLATING : NICKEL $2.0\mu\text{m}$ MIN.
- 適合圧着ハウジング：500653-06II, 500653-08II
APPLICABLE CRIMP HOUSING : 500653-06II, 500653-08II
- 適用電線範囲：AWG#24~#28 (UL1061相当)
APPLICABLE WIRES : AWG#24~#28 (UL1061 CORRESPONDING)
- 適用電線被覆外径： $\phi 1.2$ MAX.
INSULATION O.D : $\phi 1.2$ MAX.
- 適用圧着工具（手動）：578003-5300
APPLICABLE CRIMP TOOL (HAND) : 578003-5300
（半自動）：578003-3000
(SEMI-AUTOMATIC) : 578003-3000
- 適用プラグクリンプターミナル引抜工具：578003-6100
APPLICABLE PLUG CRIMP TERMINAL EXTRACTION TOOL : 578003-6100
- 本製品は 500145-0190/0191 の鉛フリー品である。
THIS PRODUCT IS LEAD FREE OF 500145-0190/0191.



GENERAL TOLERANCES (UNLESS SPECIFIED)		
	MM	INCH
4 PLACES	±	±
3 PLACES	±	±
2 PLACES	±	±
1 PLACE	±	±
0 PLACES	±	±
10 UNDER		±0.2
10 OVER 30 UNDER		±0.25
30 OVER		±0.3

MODEL NO. : 500145-****

THIS DRAWING CONTAINS INFORMATION THAT IS PROPRIETARY TO MOLEX ELECTRONIC TECHNOLOGIES, LLC AND SHOULD NOT BE USED WITHOUT WRITTEN PERMISSION

DIMENSION UNITS	SCALE	CURRENT REV DESC: OBSOLETE PART NUMBER
mm	10:1	
GENERAL TOLERANCES (UNLESS SPECIFIED)		
4 PLACES	±	±
3 PLACES	±	±
2 PLACES	±	±
1 PLACE	±	±
0 PLACES	±	±
ANGULAR TOL ± 3.0°		
DRAFT WHERE APPLICABLE MUST REMAIN WITHIN DIMENSIONS		
THIRD ANGLE PROJECTION		
DRAWING SERIES MATERIAL NUMBER CUSTOMER SHEET NUMBER		
A3-SIZE	500145	SEE CHART GENERAL MARKET 1 OF 1

EC NO: 655721
DRWN: RPRABHUM 2021/02/11
CHK'D: GGA 2021/03/15
APPR: GGA 2021/03/15

INITIAL REVISION:
DRWN: MNABEI 2004/10/04
APPR: NUKITA 2004/10/04

DOCUMENT NUMBER: SD-500145-003
DOC TYPE: PSD
DOC PART: 001
REVISION: A

連鎖状 CHAIN	500145-0128
端子形状 FORM	製品番号 MATERIAL NO.