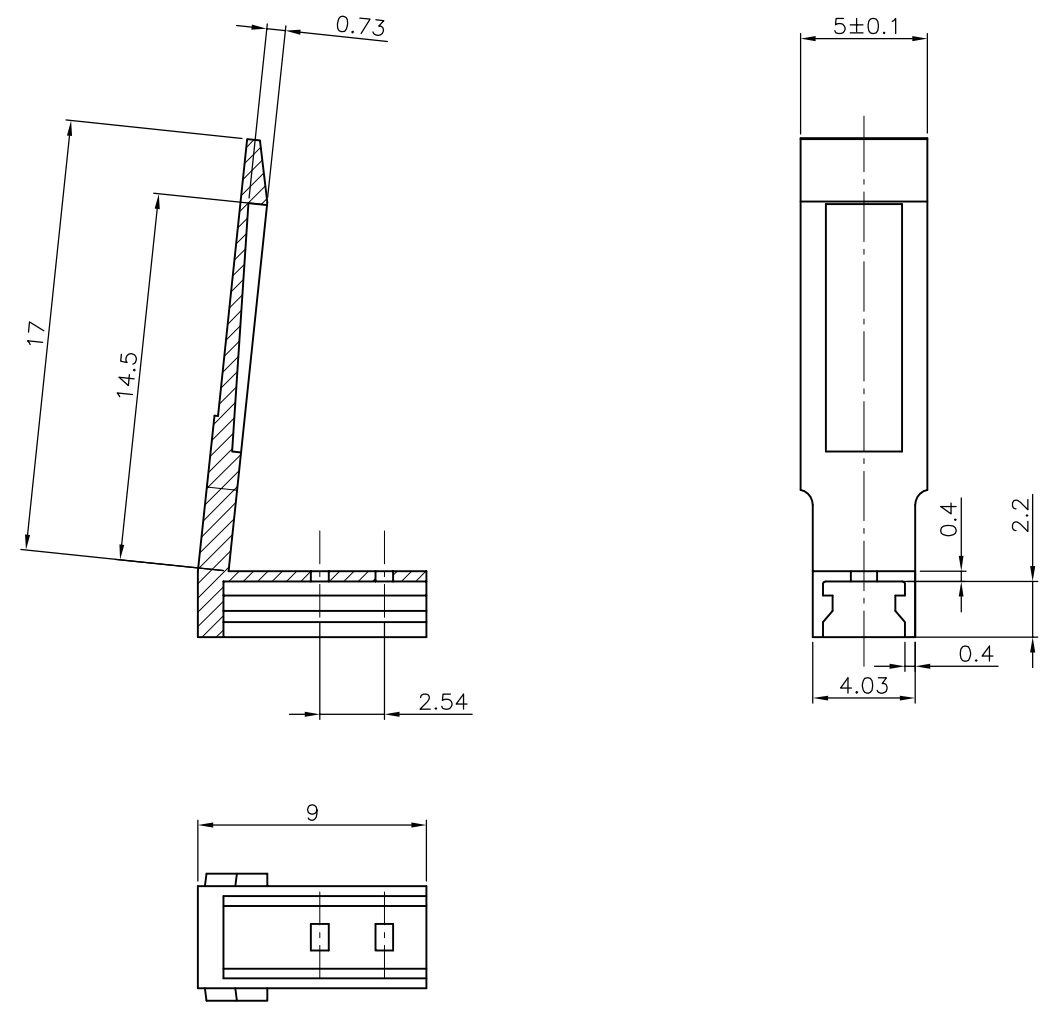


PRODUCT NUMBER
67030-001LF

RoHS COMPATIBLE, SEE NOTE 3



NOTES :

1. MATERIAL : NYLON 6/6, 25% GLASSFIBER
FLAMMABILITY PER UL-94-V0.
COLOUR : BLACK
2. FOR LATCH APPLICATION SEE TA 339
3. RoHs COMPATIBLE PRODUCT
 - a - LABELLING:
 - MEETS PACKAGING SPECS AS PER GS-14-920
 - b - LEGAL STATEMENT : SEE GS-47-0004
 - c - THE PRODUCT IS NOT INTENDED TO BE EXPOSED TO MANUFACTURING SOLDER PROCESS
 - d - PRODUCT MEETS WITH EU 2002/EG/95

mat'l. code		surface		tolerance		projection		product family	
SEE NOTES		ISO 1302 ✓		ISO 406 ISO 1101				BERGSTIK	
ltr	ecn no	dr	date	tolerances unless otherwise specified		mm		title	
B	F05-0256	LMU	05.10.11	angles	linear			SR CLINCHER	
C	F06-0236	LMU	06.07.17					BERGSTIK LATCH	
D	F07-0175	LMU	07.04.12					scale 5/1	
E	B-19262	LMU	14.10.31	dr	L.MULIN	05.09.28		dwg no	
F	B-19924	BVE	15.01.08	engr	J.COMPAGNON	05.09.28		sheet 1 of 1	
				chr				67030	
				appd	JM.C	05.09.28		A3	
sheet index		revision sheet						type CUSTOMER Drawing	



Copyright FCI