

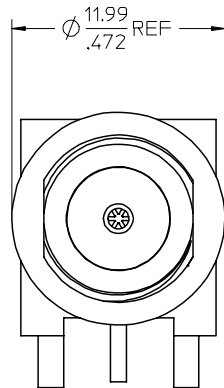
MATERIALS AND FINISHES

BODY, ZINC ALLOY
PLATED MATTE TIN OVER NICKEL

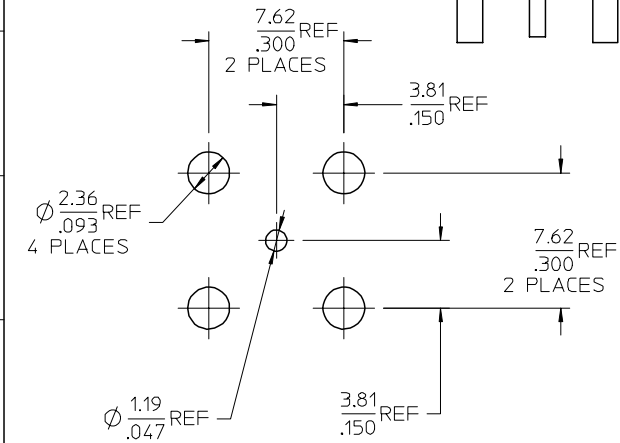
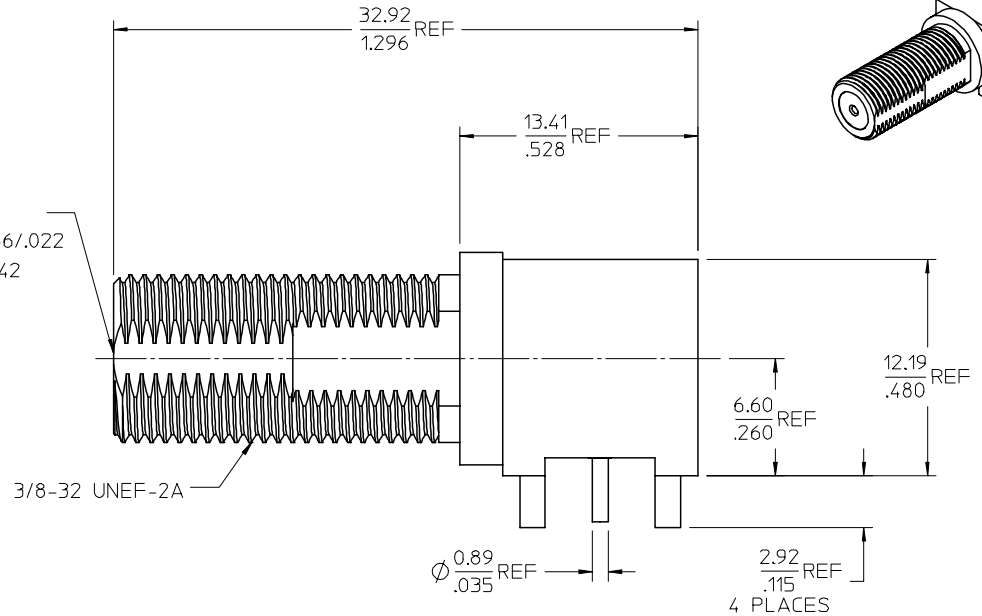
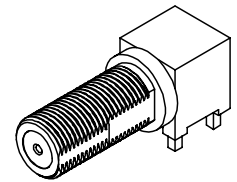
REAR CONTACT BRASS OR PHOSPHOR BRONZE
PLATED MATTE TIN OVER NICKEL

FRONT CONTACT BERYLLIUM COPPER
PLATED GOLD

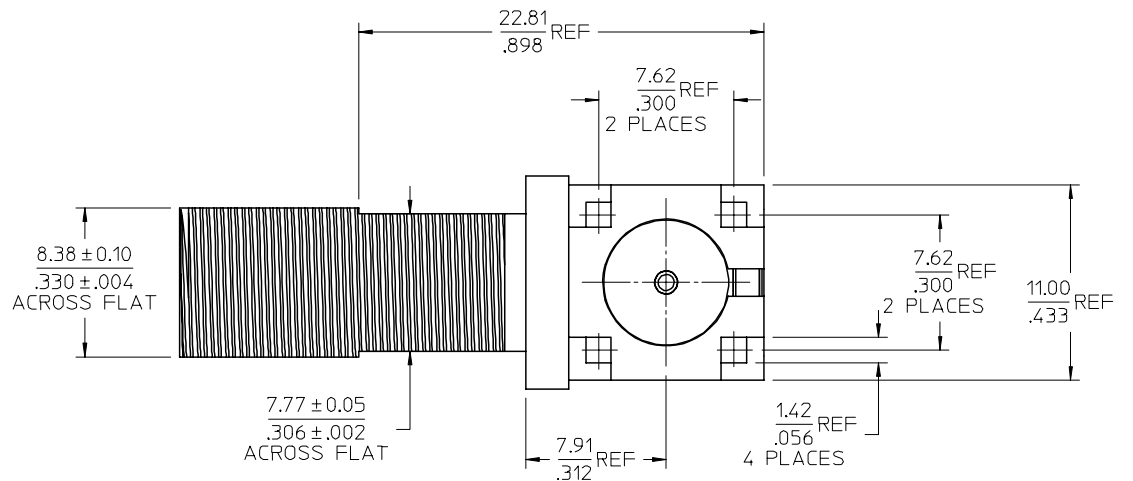
INSULATOR TEFLON



F JACK
INTERFACE
ACCEPTS $\phi 0.561.022$
THRU $\phi 1.071.042$



RECOMMENDED PCB LAYOUT



PART # 73330-0180

CHG: REDREW TO
SHOW REVISED
COMPONENTS
A1

EC NO: URF2006-0268
DRAWN: FLAHERTY 2005/12/16
CHKD: SHAH 2005/12/16
APPR: JIMENER 2005/12/16

QUALITY SYMBOLS
 $\nabla=0$
 $\nabla=0$
 GENERAL TOLERANCES (UNLESS SPECIFIED)

	mm	INCH
4 PLACES	± .15	± .005
3 PLACES	± .10	± .003
2 PLACES	± .075	± .002
1 PLACE	± .05	± .001

 ANGULAR ± 2°
 DRAFT WHERE APPLICABLE
 MUST REMAIN
 WITHIN DIMENSIONS

DIMENSION STYLE
 MM/IN
 DRAWN BY JOHN
 DATE 2005/08/09
 CHECKED BY KERRIE
 DATE 2005/08/09
 APPROVED BY MISEN
 DATE 2005/08/09
 MATERIAL NO. 733300180

SCALE
 DESIGN UNITS METRIC
 THIRD ANGLE PROJECTION
 F R/A .75 OHM
 PCB TYPE, EWR-2968
 F-RA/PCB
 MOLEX INCORPORATED
 DOCUMENT NO. SD-73330-018
 SHEET NO. 1 OF 1