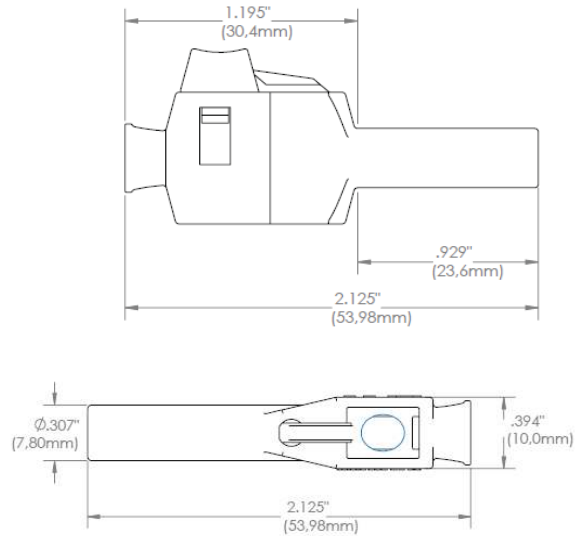
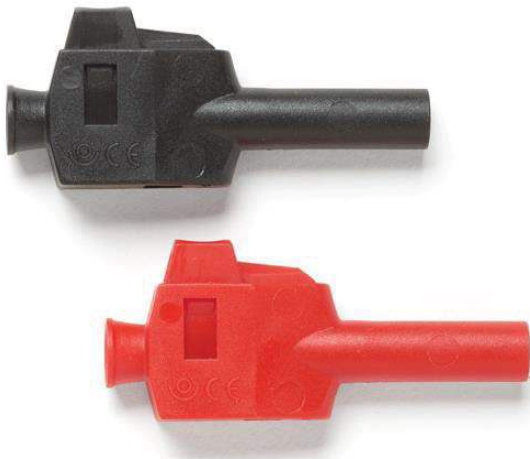


**Model 73091**

**DIY Sheathed 4mm Banana Plug, Quick Wire Attachment**



**Features**

- Attach wires quickly with the push-button tab for easy assembly or test lead repair
- No soldering or set screws required; simply, push and hold the push tab, insert the stripped test lead wire (*strip 4-6mm of insulation*), and release the push tab to secure the wire down
- Banana plug contact is sheathed for higher voltage and added protection
- Make 4mm banana plug test leads conveniently in the field
- Designed to fit on the end of any 22 AWG to 18 AWG wire gauge

**Materials**

Contact: Nickel-plated brass and steel  
 Insulation: Polypropylene and Polyoxymethylene

**Specifications**

<b>Voltage</b>	*CAT II 600 V / CAT III 300 V
<b>Max Current</b>	20 A
<b>Max Resistance</b>	less than 10 mΩ
*When plug is correctly assembled and terminated	

**Ordering Information**

Model: 73091-*color*  
**Color:** 0=Black, 2=Red  
 Do-it-Yourself Sheathed 4mm Banana Plug, Quick Wire Attachment

**USA:** Sales: 800-490-2361  
 Technical Support: [technicalsupport@pomonatest.com](mailto:technicalsupport@pomonatest.com)  
 Fax: 425-446-5844  
**Europe:** 31-(0) 40 2675 150 **International:** 425-446-5500  
**Where to Buy:** [www.pomonaelectronics.com](http://www.pomonaelectronics.com)

All dimensions are in inches. Tolerances (except noted): .xx = ±.02" (.51 mm), .xxx = ±.005" (.127 mm). All specifications are to the latest revisions. Specifications are subject to change without notice. Registered trademarks are the property of their respective companies.