

4

3

2

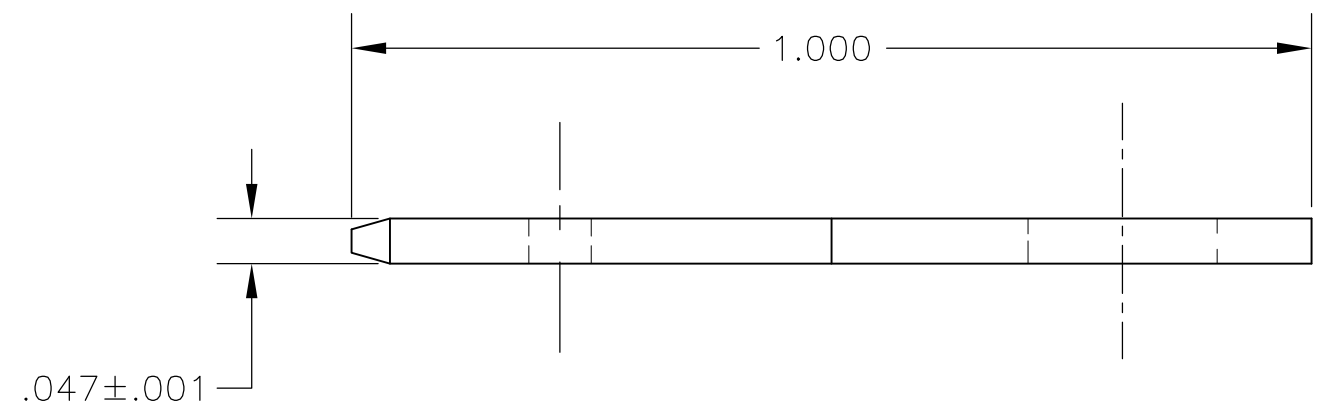
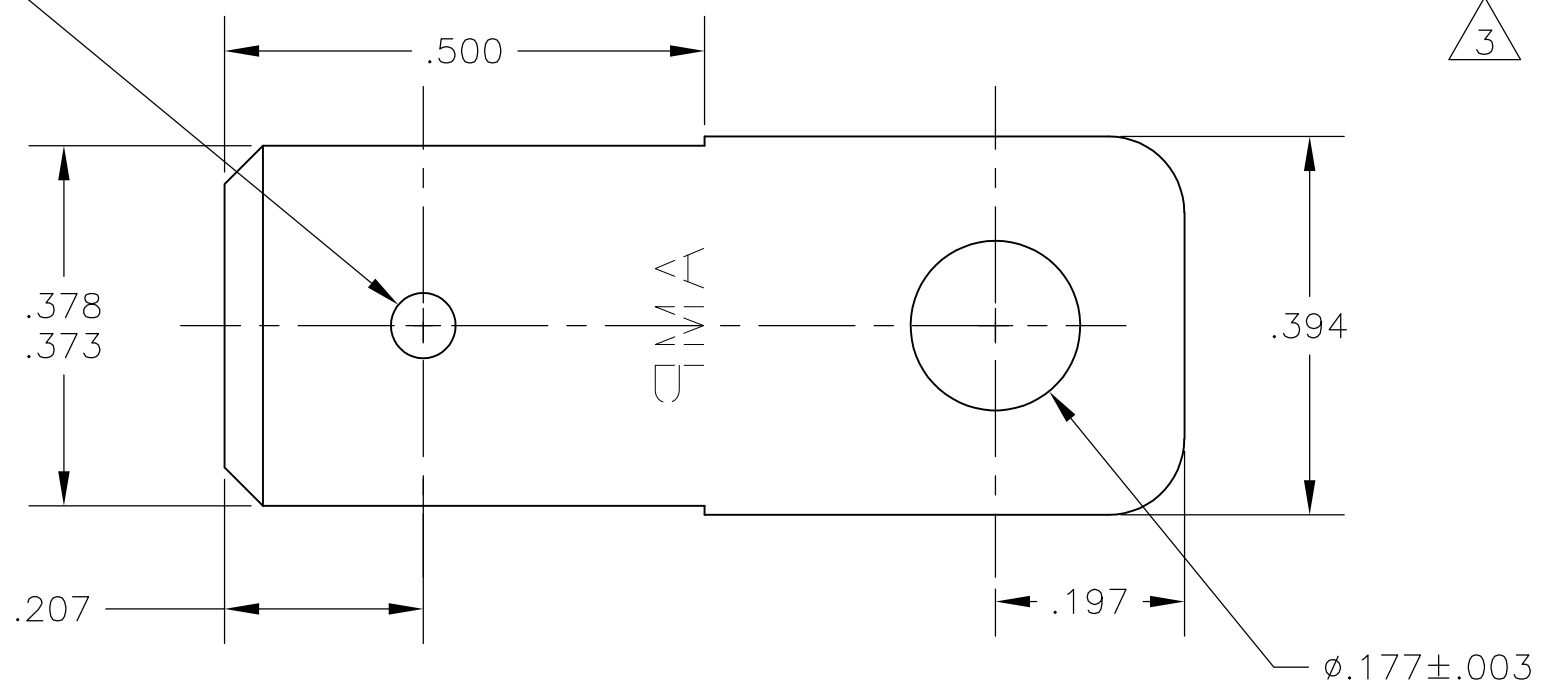
1

THIS DRAWING IS UNPUBLISHED. RELEASED FOR PUBLICATION
 © COPYRIGHT - By - ALL RIGHTS RESERVED.

LOC	DIST	REVISIONS			
P	LTR	DESCRIPTION	DATE	DWN	APVD
AF	50	B	REVISED PER ECR-13-011489	11DEC2013	KH PD

- 1 SUPPLIED IN LOOSE PIECE
- 2 .000150 MIN TIN OVER .000050 MIN NICKEL.
- 3 MATERIAL: BRASS

.080/.065
DIA HOLE



1742375-1
PART NO

THIS DRAWING IS A CONTROLLED DOCUMENT.		DWN jr_ruth 24OCT05	TE Connectivity		
DIMENSIONS: INCHES		CHK K RANDOLPH 24OCT05			
TOLERANCES UNLESS OTHERWISE SPECIFIED:		APVD K RANDOLPH 24OCT05	TAB, FASTON, .375 SERIES		
0 PLC ± - 1 PLC ± - 2 PLC ± - 3 PLC ± .010 4 PLC ± - ANGLES ± 5°		PRODUCT SPEC -	RESTRICTED TO		
MATERIAL		APPLICATION SPEC -	SIZE A3	CAGE CODE 00779	DRAWING NO C-1742375
FINISH		WEIGHT -	CUSTOMER DRAWING		
				SCALE 5:1	SHEET 1 OF 1
				REV B	