

# RFID Tag (Passive)

**ART868X2117225TX21**

RoHS/RoHS II compliant



21.0 x 17.0 x 2.25mm

MSL level: Not Applicable

## FEATURES:

- RoHS Compliant
- SMD Type
- High Gain

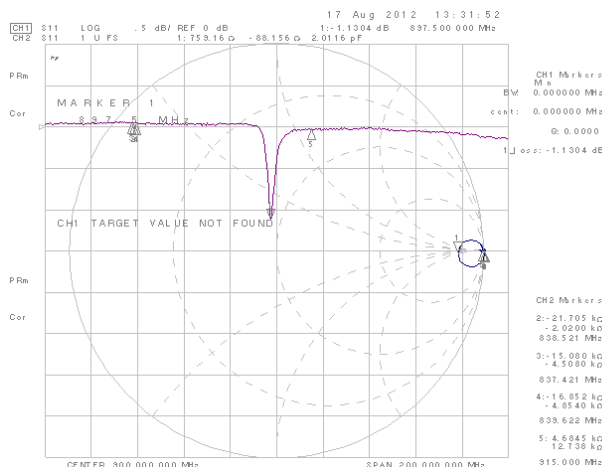
## TYPICAL APPLICATIONS:

RFID systems for Logistic & Inventory Management of Retail, Pharmaceutical, Automotive Industries; Industrial automation, Contactless smart cards.

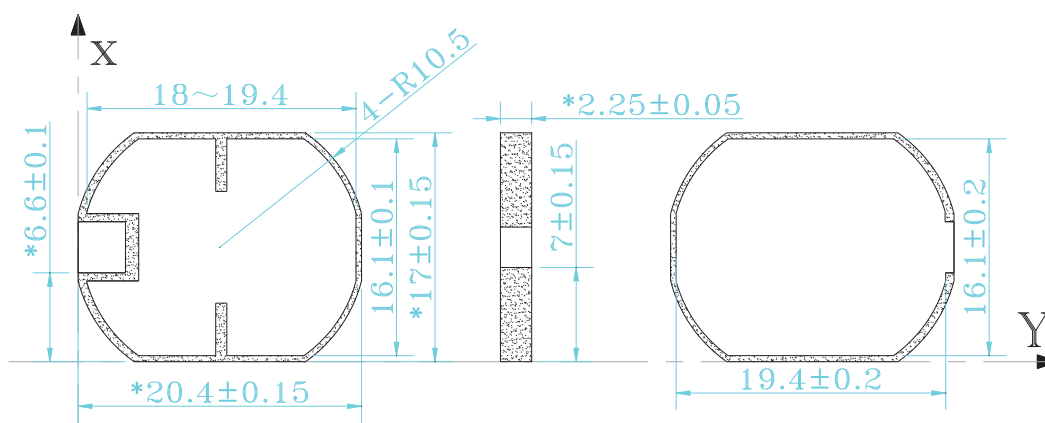
## STANDARD SPECIFICATIONS:

| Parameters                        | Min. | Typ.     | Max. | Units  | Note                               |
|-----------------------------------|------|----------|------|--------|------------------------------------|
| Range of Receiving Frequency      |      | 865-868  |      | MHz    |                                    |
| Frequency of Lowest Return Loss   |      | 892± 3   |      | MHz    | (On TEST Plane)                    |
| Tag center frequency              |      | 868±5    |      | MHz    | (On Metal surface)                 |
| GAIN                              | 1.0  |          |      | dBi    | (On70x70 GND Plane)                |
| Polarization Model                |      | Linear   |      |        | (Right Hand Circular Polarization) |
| Impedance                         |      | EPC      |      | Ω      |                                    |
| Working Temperature               |      | -40~+85  |      | °C     |                                    |
| Storage Temperature               |      | -40~+110 |      | °C     |                                    |
| Frequency Temperature Coefficient |      | 0± 10    |      | ppm/°C |                                    |

## SMITH CHART



## OUTLINE DIMENSION



Other Tolerance: ±0.1mm

Unit: mm

ABRACON IS  
ISO9001:2008  
CERTIFIED



2 Faraday, Suite# B | Irvine | CA 92618 Revised: 11.25.14  
Ph. 949.546.8000 | Fax. 949.546.8001  
Visit [www.abracon.com](http://www.abracon.com) for Terms and Conditions of Sale

# RFID Tag (Passive)

**ART868X2117225TX21**

RoHS/RoHS II compliant

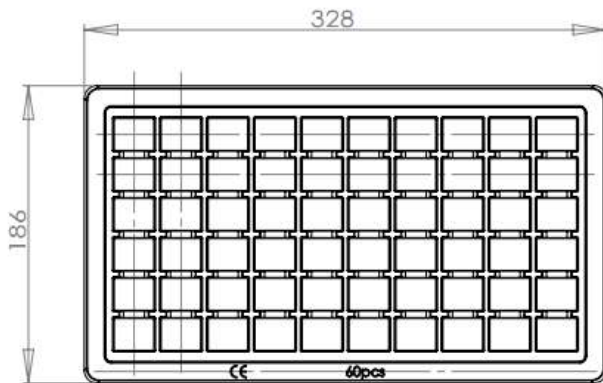


21.0 x 17.0 x 2.25mm

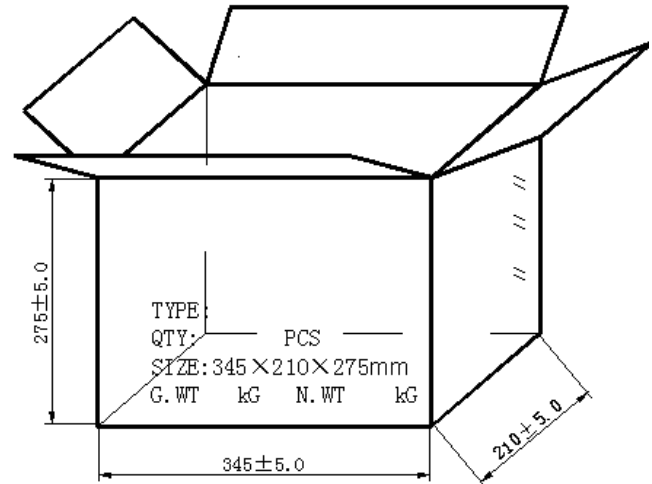
## PACKAGING

Each tray contains 60pcs of RFID Tag Antenna. There are 6 trays per vacuum bag, 2 vacuum bags per inner box, and 2 inner boxes per carton (outer box) with size of 345\*210\*275mm.

| Package Type | Quantity          |
|--------------|-------------------|
| Tray         | 60 pcs/tray       |
| Vacuum Bag   | 360pcs/vacuum bag |
| Inner Box    | 720pcs/inner box  |
| Outer Box    | 1440pcs/outer box |



Tray



Outer Box

### CAUTION:

- (1) Do not apply excess mechanical stress to the component body or terminations. Do not attempt to re-form or bend the components as this will cause damage to the component.
- (2) Do not expose the component to open flame.
- (3) This specification applies to the functionality of the component as a single unit. Please insure the component is thoroughly evaluated in the application circuit.

### NOTE:

- 1) The parts are manufactured in accordance with this specification. If other conditions and specifications which are required for this specification, please contact ABRACON for more information.
- 2) ABRACON will supply the parts in accordance with this specification unless we receive a written request to modify prior to an order placement.
- 3) In no case shall ABRACON be liable for any product failure from in appropriate handling or operation of the item beyond the scope of this specification.
- 4) When changing your production process, please notify ABRACON immediately.
- 5) ABRACON Corporation's products are COTS – Commercial-Off-The-Shelf products; suitable for Commercial, Industrial and, where designated, Automotive Applications. ABRACON's products are not specifically designed for Military, Aviation, Aerospace, Life-dependant Medical applications or any application requiring high reliability where component failure could result in loss of life and/or property. For applications requiring high reliability and/or presenting an extreme operating environment, written consent and authorization from ABRACON Corporation is required. Please contact ABRACON Corporation for more information.
- 6) All specifications and Marking will be subject to change without notice.

**ATTENTION:** Abracon Corporation's products are COTS – Commercial-Off-The-Shelf products; suitable for Commercial, Industrial and, where designated, Automotive Applications. Abracon's products are not specifically designed for Military, Aviation, Aerospace, Life-dependant Medical applications or any application requiring high reliability where component failure could result in loss of life and/or property. For applications requiring high reliability and/or presenting an extreme operating environment, written consent and authorization from Abracon Corporation is required. Please contact Abracon Corporation for more information.

ABRACON IS  
ISO9001:2008  
CERTIFIED



2 Faraday, Suite# B | Irvine | CA 92618 **Revised: 11.25.14**  
Ph. 949.546.8000 | Fax. 949.546.8001  
Visit [www.abracon.com](http://www.abracon.com) for Terms and Conditions of Sale