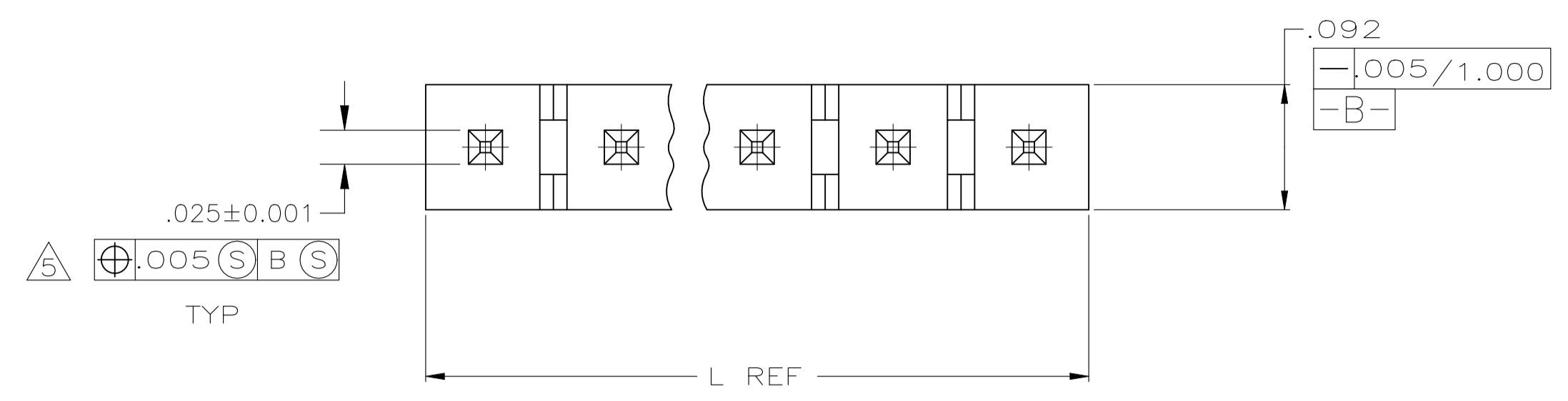
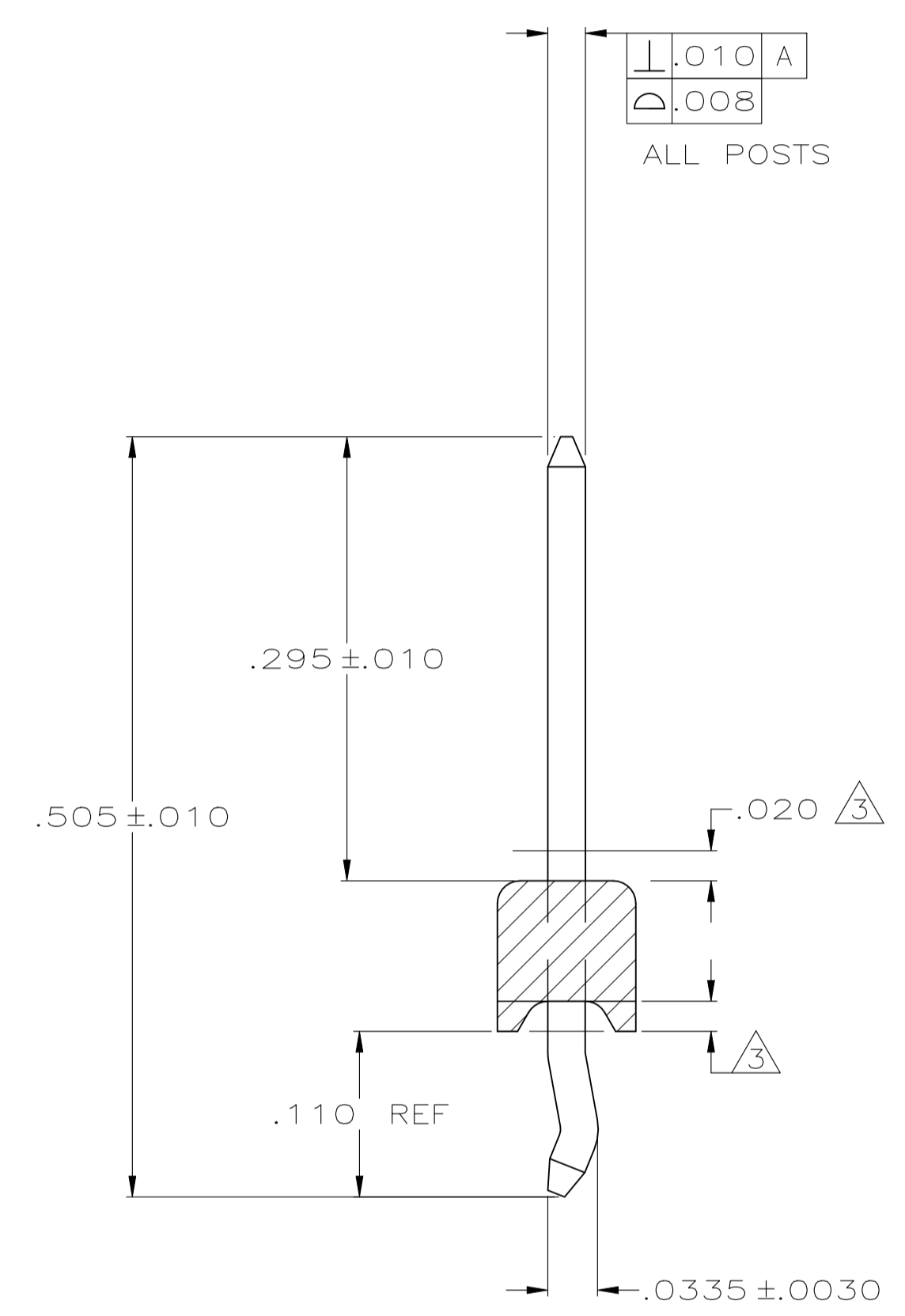
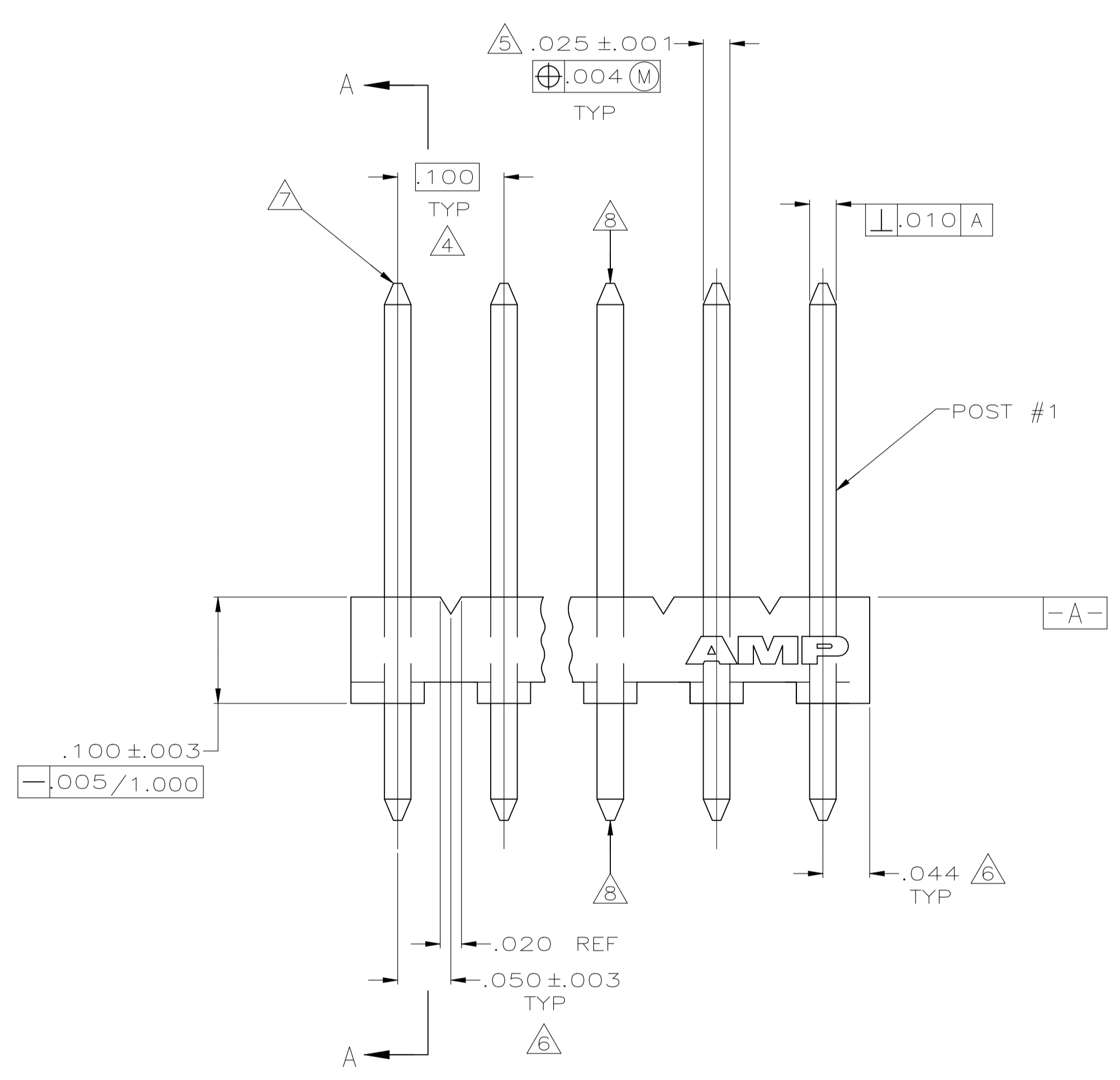


REVISIONS			
P	LTR	DESCRIPTION	DATE
A1		REVISED PER ECR-23-177792	07JUN2023

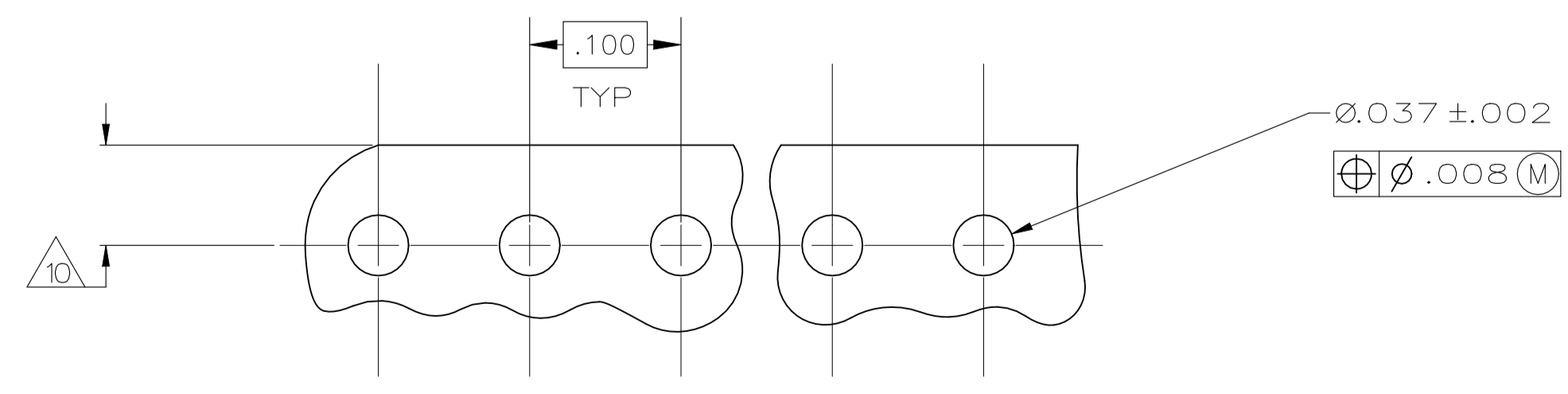


- MATERIAL:**
 BASE: THERMOPLASTIC POLYESTER, UL 94V-0 (NATURAL).
 POST: COPPER ALLOY (GOLD PLATED, .000030 MIN THK).
- PARTS MUST COMPLY WITH AMP SOLDERABILITY SPEC 109-11-2.
 - PLASTIC AROUND POST PERMISSIBLE IN THIS AREA ONLY.
 - DIMENSION APPLIES WHEN HEADER IS HELD FLAT.
 - MEASURED AT $-A-$.
 - COORDINATE DIMENSION APPLIES FROM CENTER OF ACTUAL FEATURE.
 - RADIUS AT TIP PERMITTED, BOTH ENDS.
 - POST MUST WITHSTAND 3.0 LB (13 NEWTONS) MIN AXIAL FORCE IN BOTH DIRECTIONS WITHOUT DISLODGING.
 - TOLERANCES APPLY TO SOLDER SIDE OF BOARD.
 - DIMENSION SHOULD BE .060 MIN WHEN MATING WITH A MTA-100 CONNECTOR ASSEMBLY OR A CST-100 CONNECTOR.
 - AMP LOGO MAY OR MAY NOT APPEAR ON MOLDING HOUSING.

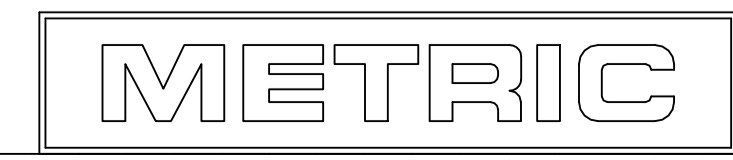


IN	MM	IN	MM
.0335	0.851	-	-
.025	0.64	1.000	25.40
.020	0.51	.505	12.83
.010	0.25	.295	7.49
.008	0.20	.110	2.79
.005	0.13	.100	2.54
.004	0.10	.092	2.34
.0030	0.076	.063	1.60
.003	0.08	.060	1.52
.002	0.05	.050	1.27
.001	0.03	.044	1.12
.000030	0.00076	.037	0.94

CONVERSION TABLE



RETENTIVE POSITIONS	NO. OF POSTS	IN	MM	NO. OF CIRCUITS	PART NUMBER
1,14,28	28	2.788	70.82	28	2-644886-8
1,14,27	27	2.688	68.28	27	2-644886-7
1,13,26	26	2.588	65.74	26	2-644886-6
1,13,25	25	2.488	63.20	25	2-644886-5
1,12,24	24	2.388	60.66	24	2-644886-4
1,12,23	23	2.288	58.12	23	2-644886-3
1,11,22	22	2.188	55.58	22	2-644886-2
1,11,21	21	2.088	53.04	21	2-644886-1
1,10,20	20	1.988	50.50	20	2-644886-0
1,10,19	19	1.888	47.96	19	1-644886-9
1,9,18	18	1.788	45.42	18	1-644886-8
1,9,17	17	1.688	42.88	17	1-644886-7
1,8,16	16	1.588	40.34	16	1-644886-6
1,8,15	15	1.488	37.80	15	1-644886-5
1,7,14	14	1.388	35.26	14	1-644886-4
1,7,13	13	1.288	32.72	13	1-644886-3
1,6,12	12	1.188	30.18	12	1-644886-2
1,6,11	11	1.088	27.64	11	1-644886-1
1,10	10	.988	25.10	10	1-644886-0
1,9	9	.888	22.56	9	644886-9
1,8	8	.788	20.02	8	644886-8
1,7	7	.688	17.48	7	644886-7
1,6	6	.588	14.94	6	644886-6
1,5	5	.488	12.40	5	644886-5
1,4	4	.388	9.86	4	644886-4
1,3	3	.288	7.32	3	644886-3
1,2	2	.188	4.78	2	644886-2



THIS DRAWING IS A CONTROLLED DOCUMENT. **TE Connectivity**

DIMENSIONS: INCHES	TOLERANCES UNLESS OTHERWISE SPECIFIED:	0 PLC ± -	1 PLC ± -	2 PLC ± -	3 PLC ± .005	4 PLC ± -	ANGLES ± -
MATERIAL		FINISH		WEIGHT		CUSTOMER DRAWING	

DATE: 3-27-96
 CHK: R. SWING
 APVO: P. WILSON
 NAME: MTA-100 HEADER ASSEMBLY, NARROW, .025 SQUARE STRAIGHT POST, WITH RETENTIVE LEGS, .000030 GOLD PLATED
 SIZE: A1
 CAGE CODE: 00779
 DRAWING NO: 644886
 SCALE: 10:1
 SHEET: 1 OF 1
 REV: A1