

6 5 4 3 2 1

E

D

C

B

A

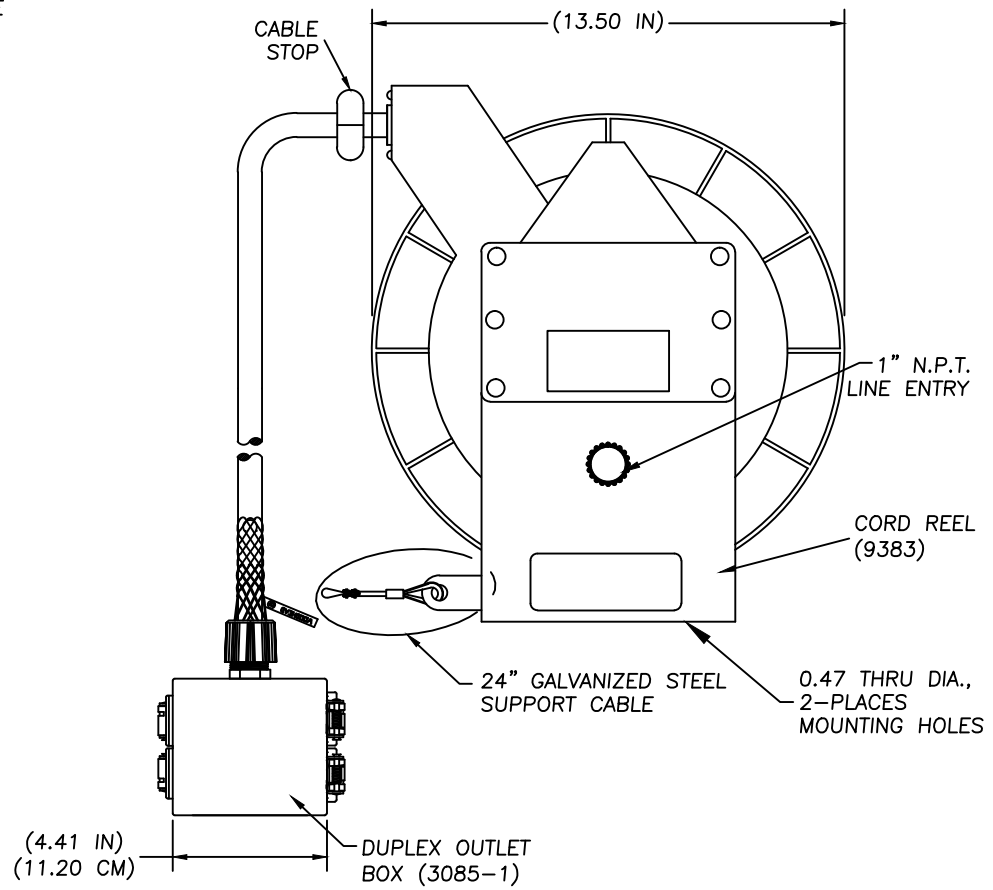
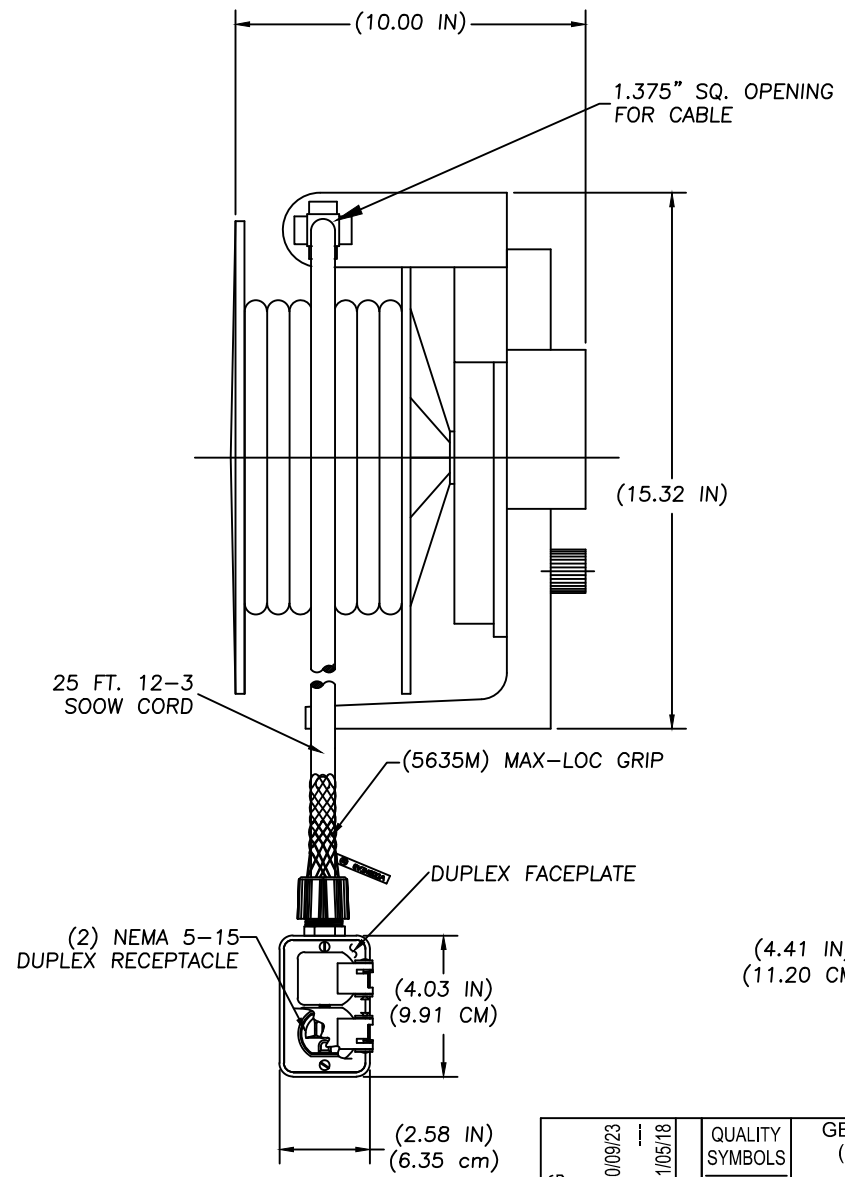
E

D

C

B

A



RELEASE DRAWING EC NO: WNA2011-0565 DRWN: TVICKERS 2010/09/23 CHKD: HKNEELAN APPR: DTITUS 2011/05/18	DESCRIPTION 2011/05/18	QUALITY SYMBOLS	GENERAL TOLERANCES (UNLESS SPECIFIED)		DIMENSION STYLE	SCALE	DESIGN UNITS	THIRD ANGLE PROJECTION		
		$\nabla = 0$ $\sphericalangle = 0$	mm	INCH	IN/MM	NTS	INCH			
		4 PLACES	±--	±--	DRAWN BY	DATE	TITLE			
		3 PLACES	±--	±.005	TVICKERS	2010/09/23	9383 W/25' #12/3 3085-1 OUTLET BOX MESH & SUPPORT CBL			
		2 PLACES	±0.13	±.010	CHECKED BY	DATE				
1 PLACE	±0.25	±.020	HKNEELAN	2011/05/17	MOLEX INCORPORATED					
ANGULAR ±.5°			APPROVED BY	DATE	MATERIAL NO.	DOCUMENT NO.	SHEET NO.			
DRAFT WHERE APPLICABLE MUST REMAIN WITHIN DIMENSIONS			DTITUS	2011/05/18	1300830899	SD-130083-028	1 OF 1			
			SIZE	THIS DRAWING CONTAINS INFORMATION THAT IS PROPRIETARY TO MOLEX INCORPORATED AND SHOULD NOT BE USED WITHOUT WRITTEN PERMISSION						
A			A							

6 5 4 3 2 1