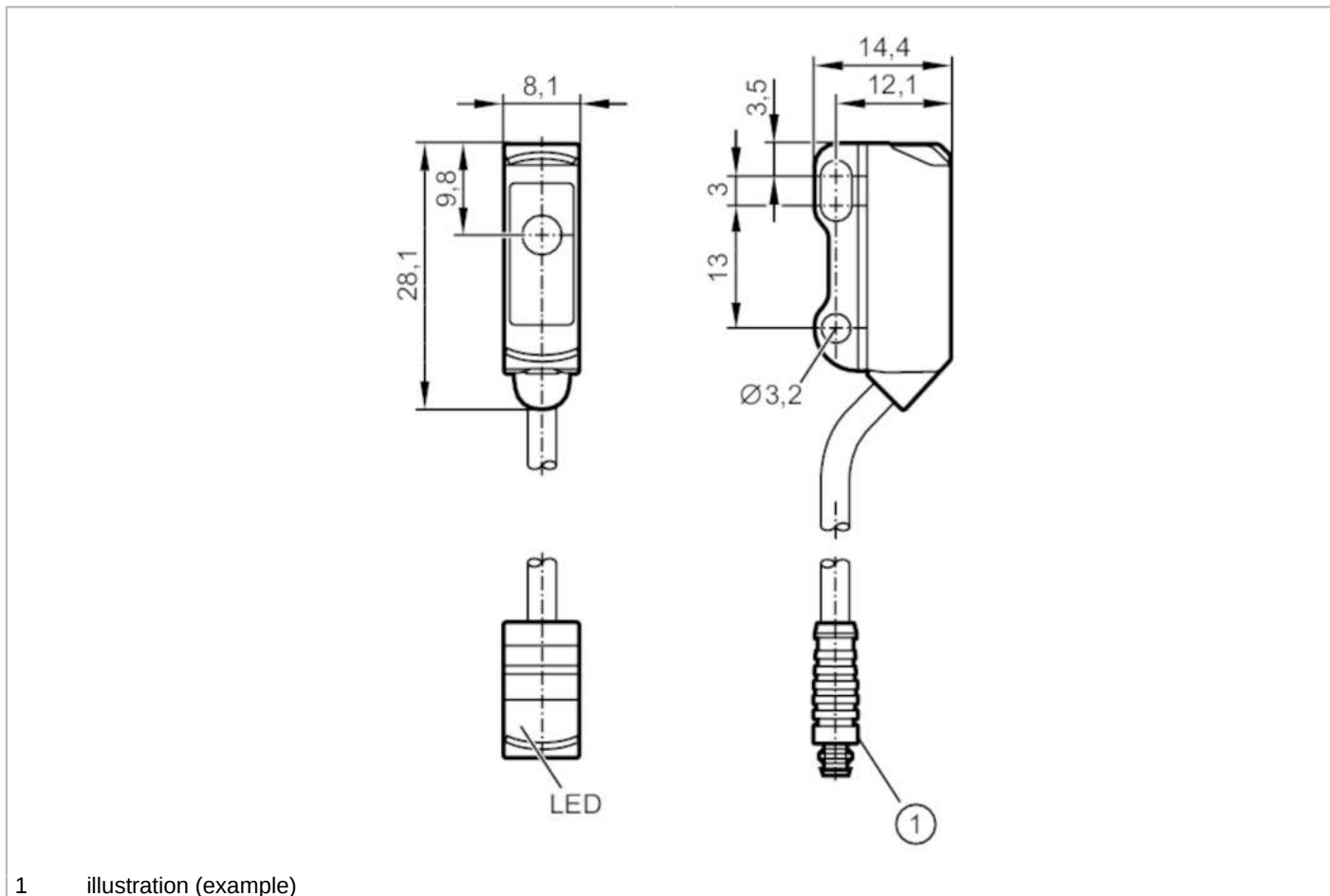




## Through-beam sensor transmitter

O8S-00KG/0,30M/AS/4P



1 illustration (example)



Product characteristics	
Type of light	red light
Housing	rectangular
Application	
Function principle	Through-beam sensor
Electrical data	
Operating voltage [V]	10...30 DC
Current consumption [mA]	12; ((24 V))
Protection class	III
Reverse polarity protection	yes
Type of light	red light
Wave length [nm]	633
Detection zone	
Transmitter / receiver	transmitter
Range [m]	< 3
Max. light spot diameter [mm]	200
Light spot dimensions refer to	at maximum range

# O8S202



## Through-beam sensor transmitter

O8S-OOKG/0,30M/AS/4P

### Operating conditions

Ambient temperature	[°C]	-25...60
Protection		IP 65; IP 67

### Tests / approvals

EMC		EN 60947-5-2
MTTF	[years]	2942
UL approval	Ta	-25...60 °C
	Enclosure type	Type 1
	power supply	Limited Voltage/Current
	UL Approval no.	E026
	File number UL	E174191

### Mechanical data

Weight	[g]	21
Housing		rectangular
Dimensions	[mm]	28.1 x 8.1 x 14.4
Materials		housing: ABS; stainless steel (1.4404 / 316L)
Lens material		PMMA
Lens alignment		side lens

### Displays / operating elements

Display	switching status	1 x LED, yellow
	operation	1 x LED, green

### Remarks

Pack quantity	1 pcs.
---------------	--------

### Electrical connection

Cable: 0.3 m, PVC, black, Ø 2.9 mm; 2 x 0.08 mm<sup>2</sup>

Connector: 1 x M8; coding: A

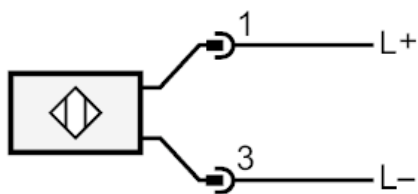




## Through-beam sensor transmitter

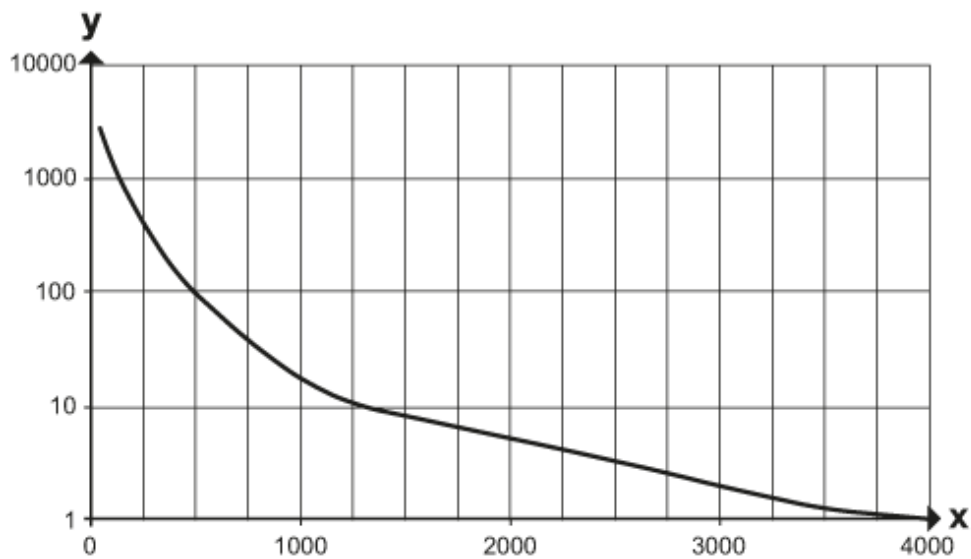
O8S-OOKG/0,30M/AS/4P

### Connection



### Diagrams and graphs

excess gain graph



x: distance [mm]

y: excess gain factor