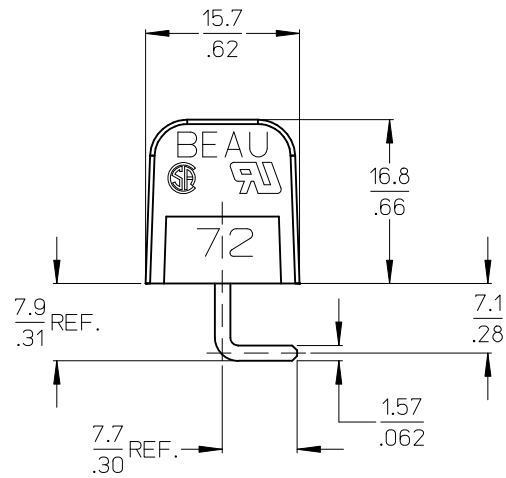
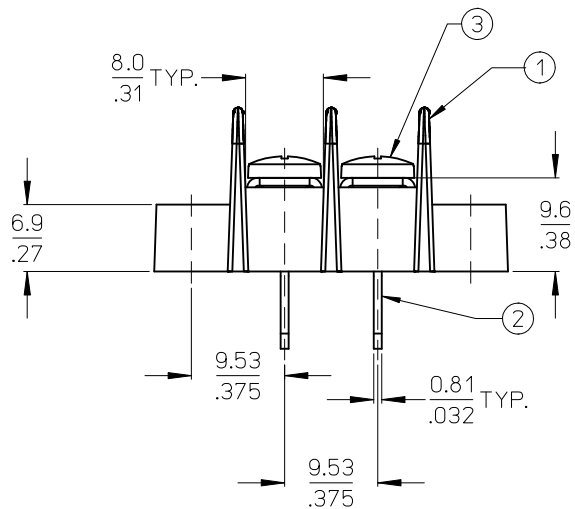
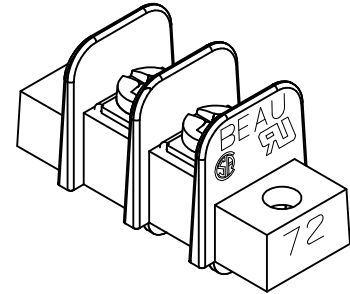
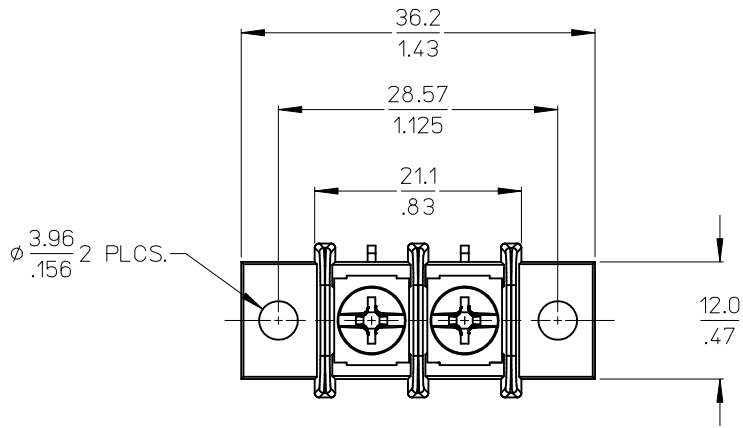


10 9 8 7 6 5 4 3 2 1



NOTES:

1. MATERIAL: SEE TABLE.
2. FINISHES: SEE TABLE.
3. PRODUCT SPECIFICATION: NOT REQUIRED.
4. ROHS COMPLIANT.

ITEM	QTY.	DESCRIPTION	MATERIAL	FINISH
3	2	SCREW,#6-32X.250 BHD,PHIL-SLOT,SS	STAINLESS STEEL	PASSIVATED
2	2	TERMINAL, WW, LONG	BRASS	TIN PLATE
1	1	INSULATOR, SR, PC, SOLID MTG.	POLYESTER (PBT)	BLACK

tb\_frame\_B\_P\_ME\_T  
Rev. E 2006/04/15

**CHANGE SCREW, REDRAWN**  
EC NO: WINA2011-0086  
DRAWN: JENC INAS 2010/09/03  
CHKD: JENC INAS  
APPR: JMACNEIL 2011/05/06

DESCRIPTION  
REV

QUALITY SYMBOLS	GENERAL TOLERANCES (UNLESS SPECIFIED)	
	mm	INCH
▽=0	4 PLACES ± ---	± ---
▽=0	3 PLACES ± ---	± .005
	2 PLACES ± 0.13	± .010
	1 PLACE ± 0.3	± ---
	ANGULAR ± 2 °	

DRAFT WHERE APPLICABLE  
MUST REMAIN  
WITHIN DIMENSIONS

DIMENSION STYLE	
MM/IN	
DRAWN BY	DATE
JENC INAS	2010/09/01
CHECKED BY	DATE
CLYORK	2010/09/01
APPROVED BY	DATE
JMACNEIL	2011/05/06
MATERIAL NO.	
387291598	

SCALE	DESIGN UNITS	THIRD ANGLE PROJECTION
2:1	INCH	☉
TITLE		
9.53/.375" SR BTS ASSY PCRA, SS SCREW,SOLID MTG (72802-E-56-R30-55)		
MOLEX INCORPORATED		SHEET NO.
DOCUMENT NO.		1 OF 1
THIS DRAWING CONTAINS INFORMATION THAT IS PROPRIETARY TO MOLEX INCORPORATED AND SHOULD NOT BE USED WITHOUT WRITTEN PERMISSION		

9 8 7 6 5 4 3 2 1