

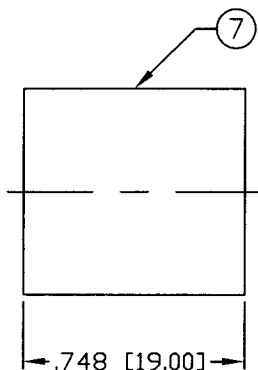
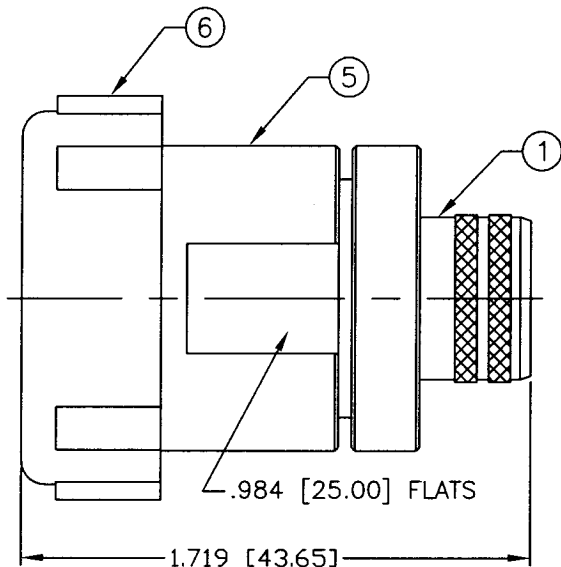
THIS DRAWING CONTAINS INFORMATION PROPRIETARY TO RF INDUSTRIES,  
 ANY UNAUTHORIZED USE OF THIS DRAWING IS EXPRESSLY PROHIBITED  
 WITHOUT WRITTEN PERMISSION FROM RF INDUSTRIES.  
 ANY VIOLATION IS PUNISHABLE UNDER U.S. COPYRIGHT LAWS.

ALL DIMENSIONS ARE REFERENCE ONLY

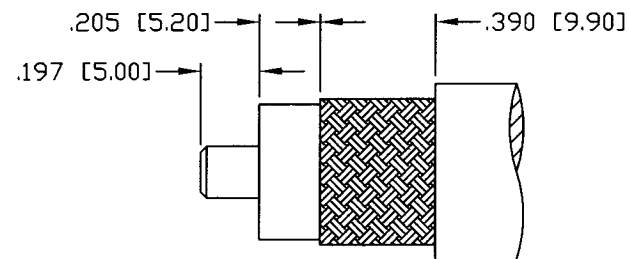
PART NO.

**RFD-1631-2L2**

| REV | DESCRIPTION              | DWN | DATE    | APPROVED |
|-----|--------------------------|-----|---------|----------|
| -   | ENGINEERING RELEASE      | JDM | 8/1/00  | JDMc     |
| A   | CHANGE FORMAT & SPECS    | GGG | 2/13/02 | JDMc     |
| B   | CORRECT CABLE GROUP LIST | CZS | 3/26/04 | JDMc     |



RECOMMENDED CRIMP DIE: .60"



RECOMMENDED  
 STRIPPING DIMENSIONS

**SPECIFICATIONS:**

IMPEDANCE: 50 Ohms  
 FREQUENCY RANGE: 0-7.5 GHz  
 PEAK POWER: 13.2 Kw max.  
 AVERAGE POWER: 3.0 Kw max.  
 TEMPERATURE RANGE: -55°C TO 165°C  
 FOR TIMES LMR-600, LMR-600 ULTRAFLEX & T-COM-600

| 1  | FERRULE STUD | 1   | BRASS    | SILVER, 120μ" |
|----|--------------|-----|----------|---------------|
| 2  | INSULATOR    | 1   | PTFE     | ---           |
| 3  | CONTACT      | 1   | Be-Cu    | SILVER, 200μ" |
| 4  | GASKET       | 1   | SILICONE | ---           |
| 5  | BODY         | 1   | BRASS    | SILVER, 120μ" |
| 6  | CAP          | 1   | PE       | BLUE          |
| 7  | FERRULE      | 1   | BRASS    | SILVER, 120μ" |
| 8  |              |     |          |               |
| 9  |              |     |          |               |
| 10 |              |     |          |               |
| 11 |              |     |          |               |
| 12 |              |     |          |               |
| 13 |              |     |          |               |
| 14 |              |     |          |               |
| #  | DESCRIPTION  | QTY | MATERIAL | FINISH        |

| 008974                        |         |
|-------------------------------|---------|
| DRAWN<br>C. ZUNIGA            | 3/26/04 |
| CHECKED<br><i>[Signature]</i> | 3/26/04 |
| ORJ DRAWN<br>C. ZUNIGA        | 3/7/00  |
| APPROVALS                     | DATE    |

UNLESS OTHERWISE SPECIFIED:  
  
 DIMENSIONS ARE IN INCHES  
 AND [MILLIMETERS]  
 UNLESS OTHERWISE NOTED  
 TOLERANCES ARE:  
 DECIMALS      DIAMETER

**RF connectors**  
 DIVISION OF RF INDUSTRIES, LTD.

7610 MIRAMAR RD  
 SAN DIEGO, CA 92126  
 (858) 549-6340  
 (858) 549-6345 FAX

**7/16, STRAIGHT JACK**

CRIMP

|            |                   |                         |              |
|------------|-------------------|-------------------------|--------------|
| SIZE<br>A  | CABLE GROUP<br>L2 | DWG NO.<br>RFD-1631-2L2 | REV<br>B     |
| SCALE: NTS | CAD FILE          | OUTLINE                 | SHEET 1 OF 1 |