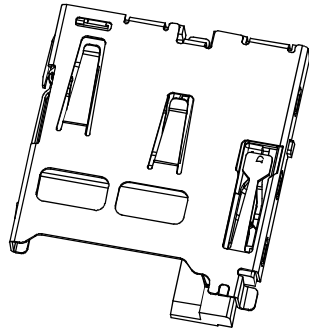
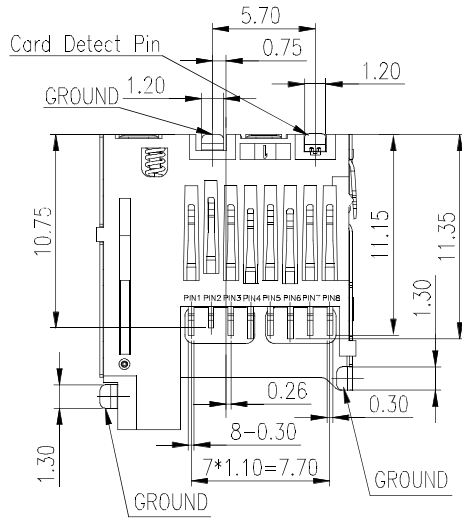
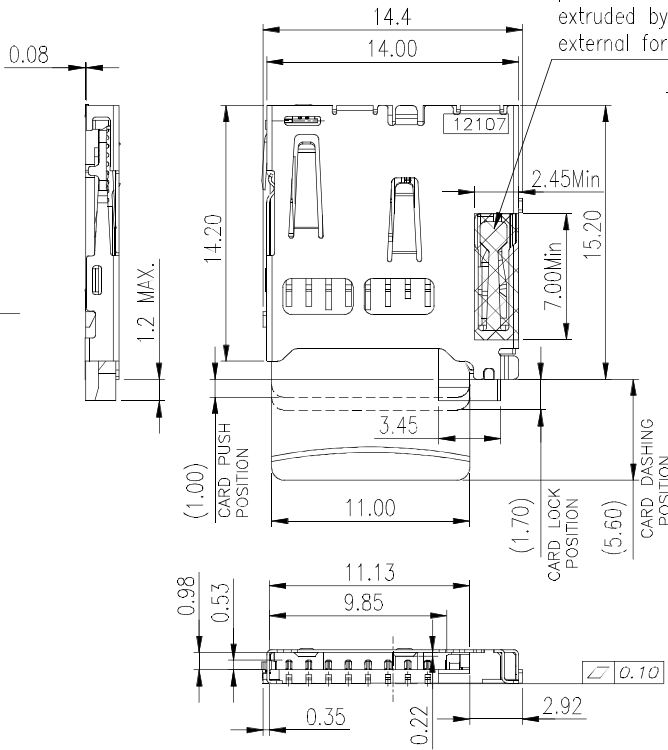


This document is the property of Amphenol Corporation and is delivered on the express condition that it is not to be disclosed, reproduced or used, in whole or in part, for manufacture or sale by anyone other than Amphenol Corporation without its prior consent, and that no right is granted to disclose or to use any information in this document.

The marking on this product doesn't contain environmental hazardous materials per Material Specification 55-00259 for Sony GP compliant or per directive 2011/65/EU for RoHS compliant.



The shrapnel areas prohibit contact and extruded by the external force



PIN No.	FUNCTION
PIN 1	DAT2
PIN 2	CD/DAT3
PIN 3	Cmd
PIN 4	VDD
PIN 5	CLK
PIN 6	VSS
PIN 7	DAT0
PIN 8	DAT1

PART NO. GTFP084 X X BEU

CONTACT FINISH
 2: 10 μ" GOLD
 3: 15 μ" GOLD
 4: 30 μ" GOLD

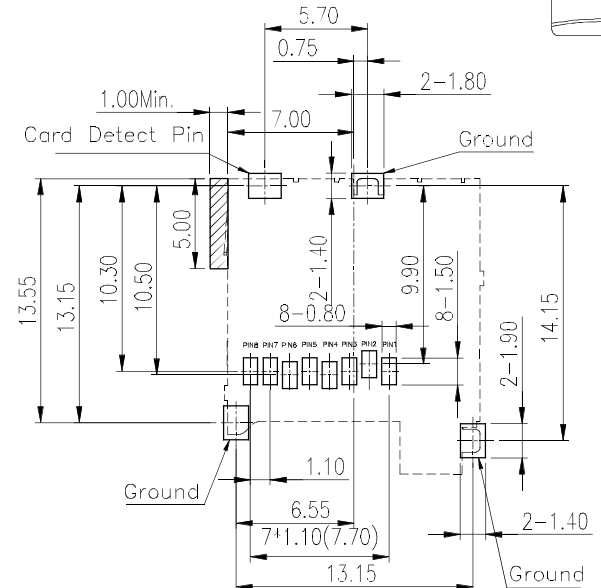
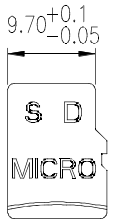
PACKING STYLE
 1: W/O MYLAR T&R
 2: W/ MYLAR T&R

□ RECOMMENDED SOLDER PAD AREA
 ▨ DEVICE KEEP OUT AREA

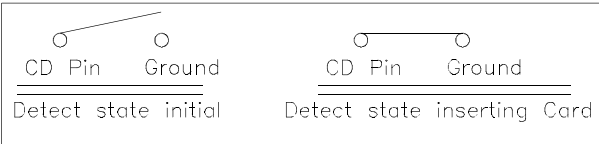
REVISIONS				
SYM	ECN No.	DESCRIPTION	DATE	APPROVED
A	NE-12202	UNAPPROVED REVISION	11/13/2012	Arron Lin
B	NE-13080	UPDATE DRAWING	05/24/2013	Arron Lin
C	NE-13101	ADDED DIM AND 30u" GOLD PLATING	07/08/2013	Arron Lin
D	NE-14226	MODIFY DESING FOR PIN2 N/F AND CD PIN RETENTION.	12/23/2014	Arron Lin
E	NE-15134	REMOVE SHELL RIB MEET THE CURRENT	11/03/2015	Arron Lin
F	NE-17179	CHANGE CAPD LATCH FROM SIDE TYPE	07/14/2017	Roger Tsai

NOTES:

1. INSULATOR: HIGH TEMPERATURE THERMOPLASTIC, LCP, UL 94V-0, COLOR- BLACK.
2. CONTACT: COPPER ALLOY, SELECTIVE GOLD PLATING ON CONTACT AREA, MATTE TIN PLATING 100u" ON SOLDERING AREA.
3. SHELL: STEEL (SUS 301), NI PLATING 50u" ON SOLDERING AREA.
4. THIS PRODUCT DOESN'T CONTAIN ENVIRONMENTAL HAZARDOUS MATERIALS PER DIRECTIVE 2011/65/EU FOR RoHS.
5. RECOMMED SD CARD WIDTH IS DIM 9.70^{+0.1}/_{-0.05} FOR TEST.
6. PRODUCT SPECIFICATION REFER TO : PS-7500.
7. TEST SUMMARY REFER TO : TS-7500-001.



RECOMMENDED PCB LAYOUT
 (CALL TOLERANCE AFE ±0.05mm)
 TOP VIEW



TOLERANCE	APPROVALS	DATE	TITLE	
X. ±0.30	DRAWN Karen Su	07/14/2017	MICRO SD NORMAL OPEN TYPE (HEIGHT IS 1.85 MM)	
X.X ±0.20				
X.XX ±0.20	CHECKED Aqua Chou	07/14/2017	PART No. GTFP084XXBEU	
X.XXX ±0.10				
ANGULAR ±1°	APPROVED Roger Tsai	07/14/2017	UNIT mm	SIZE A3
UNLESS OTHERWISE SPECIFIED	DWG TYPE CUST DWG	PROJECT CODE OTHER	SCALE NA	SHEET 1 OF 2
			DWG No. GTFP084XXBEU	REV. F

Amphenol®

Amphenol Corporation
 Amphenol Taiwan Corporation

This document is the property of Amphenol Corporation and is delivered on the express condition that it is not to be disclosed, reproduced or used, in whole or in part, for manufacture or sale by anyone other than Amphenol Corporation without its prior consent, and that no right is granted to disclose or to use any information in this document.

The marking on this product doesn't contain environmental hazardous materials per Material Specification SS-00759 for Sony GP compliant or per directive 2011/65/EU for RoHS compliant.

A

B

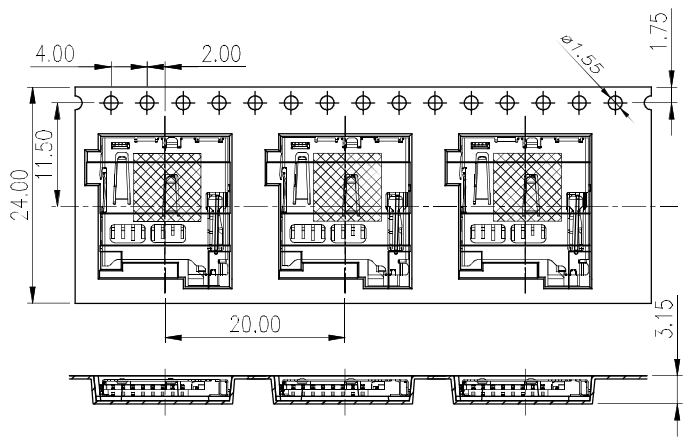
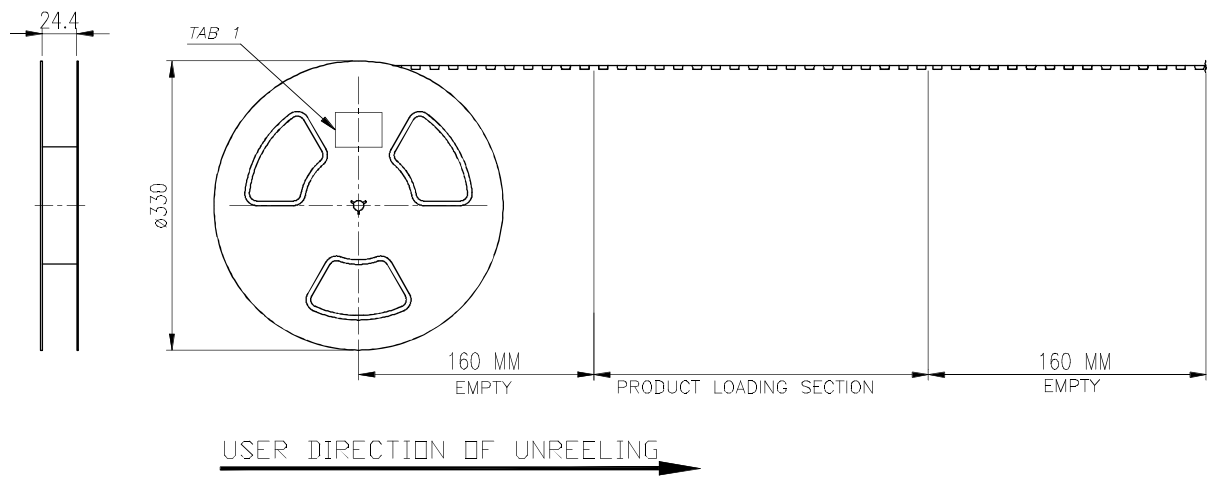
C

D

E

F

REVISIONS				
SYM	ECN No.	DESCRIPTION	DATE	APPROVED
A	NE-12202	UNAPPROVED REVISION	11/13/2012	Arron Lin
B	NE-13080	UPDATE DRAWING	05/24/2013	Arron Lin
C	NE-13101	ADDED DIM AND 30u" GOLD PLATING	07/08/2013	Arron Lin
D	NE-14226	MODIFY DESING FOR PIN2 N/F AND CD PIN RETENTION.	12/23/2014	Arron Lin
E	NE-15134	REMOVE SHELL RIB MEET THE CURRENT	11/03/2015	Arron Lin
F	NE-17179	CHANGE CAPD LATCH FROM SIDE TYPE	07/14/2017	Roger Tsai

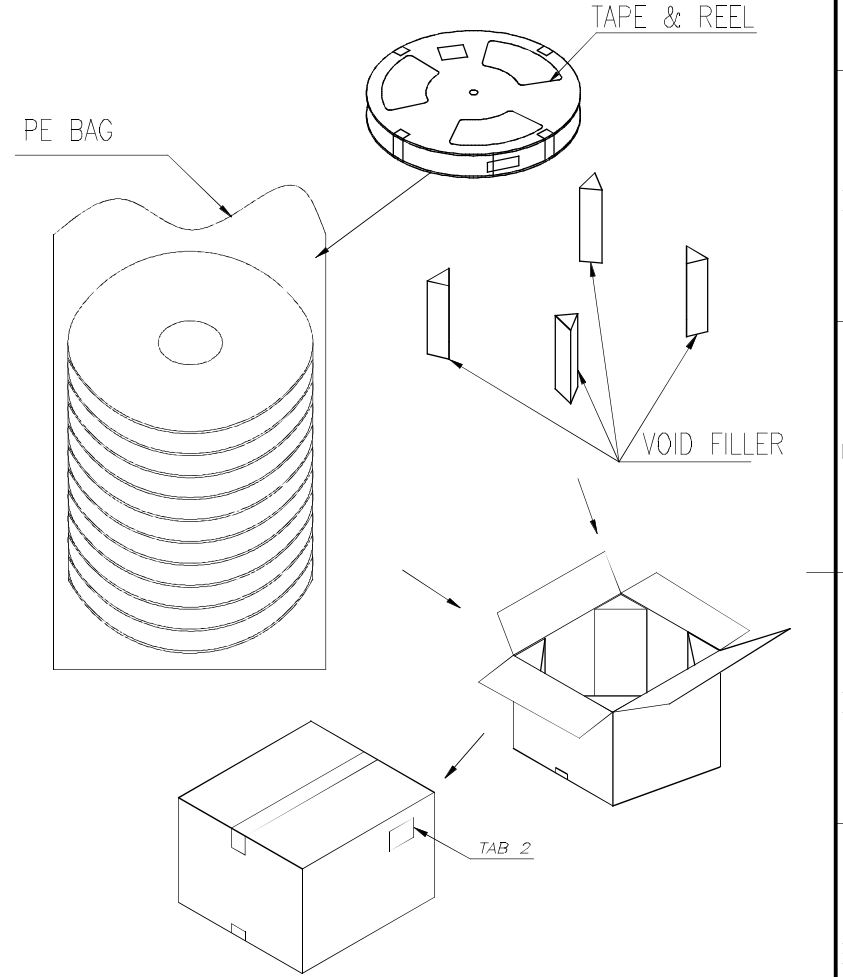


P/N(IP) :	■■■■■■■■■■
QTY(Q) :	■■■■■■■■■■
F/O(K) :	■■■■■■■■■■
DATE : MM/DD/YYYY	RoHS
G.W. : X.XX KG	Amphenol Taiwan Corporation

TAB2: CARTON LABEL
(CONTENT BY ACTUAL)

P/N(IP) :	■■■■■■■■■■
QTY(Q) :	■■■■■■■■■■
F/O(K) :	■■■■■■■■■■
DATE : MM/DD/YYYY	RoHS
G.W. : X.XX KG	Amphenol Taiwan Corporation

TAB1: REEL LABEL
(CONTENT BY ACTUAL)



PACKAGING BY TAPE&REEL	5.5	2.18	1000	5	5000	GTFPO84XXBEU
	G/W KG	N/W KG	PCS/ REEL	REELS/ CARTON	QUANTITY (PCS)	PART NUMBER

TOLERANCE	APPROVALS	DATE
X. ±0.30	DRAWN Karen Su	07/14/2017
X.X ±0.20	CHECKED Aqua Chou	07/14/2017
X.XX ±0.10	APPROVED Roger Tsai	07/14/2017
ANGULAR ±1*	DWG TYPE CUST DWG	PROJECT CODE OTHER

TITLE	UNIT	SIZE	PART No.
MICRO SD NORMAL OPEN TYPE (HEIGHT IS 1.85 MM)	mm	A3	GTFPO84XXBEU
SCALE NA		SHEET 2 OF 2	DWG No. GTFPO84XXBEU

<h3>Amphenol[®]</h3> <p>Amphenol Corporation Amphenol Taiwan Corporation</p>		
REV. F		

1 | 2 | 3 | 4 | 5 | 6 | 7 | 8