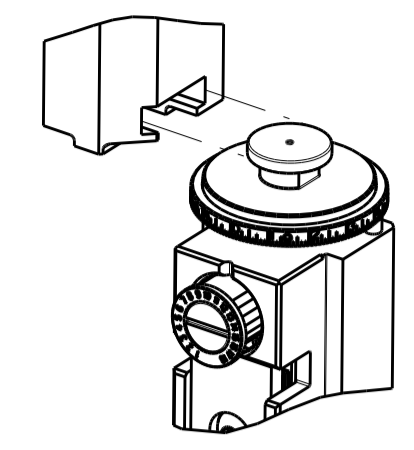


PART NUMBER	REVISION	DESCRIPTION	FEED TYPE
2151363-1	C	FINE CRIMP HEIGHT ADJUST	MECHANICAL
2151363-2	C	FINE CRIMP HEIGHT ADJUST	PNEUMATIC
5-2151363-1	C	SEAL STRIPPER CRIMPER TERMINATING UNIT	MECHANICAL
5-2151363-2	C	SEAL STRIPPER CRIMPER TERMINATING UNIT	PNEUMATIC
7-2151363-1	C	MECHANICAL AND CRIMP TOOLING KIT	MECHANICAL
7-2151363-2	C	PNEUMATIC AND CRIMP TOOLING KIT	PNEUMATIC
7-2151363-7	C	CRIMP TOOLING KIT	-

ATLANTIC VERSION TERMINATOR INTERFACE ADAPTER



APPLICATOR DATA		
CRIMP	SIZE	TYPE
WIRE	2.97 mm [.117]	F
INSUL	4.32 mm [.170]	O

APPLICATOR INSTRUCTIONS 408-35042

TERMINAL DATA: DELPHI TERMINAL DELPHI CRIMP SPECIFICATION	
TERMINAL NAME: MALE WEATHER PACK I	
WIRE STRIP LENGTH 4.75-5.51 mm [.187-.217 IN]	TERMINAL INSULATION DIAMETER RANGE Ø 3.96mm MAX [.156 IN MAX]
TERMINAL APPLICATION SPECIFICATION	12124580 PAGE 3 & 6 OF 26 Rev 2013-10-30

TERMINALS APPLIED				
TE TERMINAL	DELPHI TERMINAL	TE SEAL	DELPHI SEAL	SEAL INSULATION DIAMETER RANGE
286638-1	12124582	286965-1	12015323	Ø 2.03-2.85mm
286510-1	12124580	1572716-3	15324980	Ø 2.81-3.49mm
	1949807-1		15324982	Ø 2.03-2.85mm

TERMINAL DATA: DELPHI TERMINAL DELPHI CRIMP SPECIFICATION	
TERMINAL NAME: MALE WEATHER PACK I	
WIRE STRIP LENGTH 4.75-5.51 mm [.187-.217 IN]	TERMINAL INSULATION DIAMETER RANGE Ø 3.96mm MAX [.156 IN MAX]
TERMINAL APPLICATION SPECIFICATION	

TERMINALS APPLIED				
TE TERMINAL	DELPHI TERMINAL	TE SEAL	DELPHI SEAL	SEAL INSULATION DIAMETER RANGE
286638-1	12124582	286965-1	12015323	Ø 2.03-2.85mm
286510-1	12124580	1572716-3	15324980	Ø 2.81-3.49mm
	1949807-1		15324982	Ø 2.03-2.85mm

WIRE SIZE	CRIMP HEIGHT mm [INCH]	CRIMP HEIGHT REFERENCE SETTING
2.00mm2	1.45 +/- 0.05 [.057 +/- .002]	8.1
1.00mm2	1.40 +/- 0.05 [.055 +/- .002]	8.3

WIRE SIZE	CRIMP HEIGHT mm [INCH]	CRIMP HEIGHT REFERENCE SETTING
16 AWG OR 1.25mm2	1.42 +/- 0.05 [.056 +/- .002]	8.2

- 1 RECOMMENDED SPARE PARTS
- 2 REFER TO SUPPLIED INSTRUCTION SHEET FOR CLEANING, LUBRICATION & STORAGE OF APPLICATOR.
- 3 APPLY PART NUMBER 1-23419-5 LOCTITE TO THREADS OF ITEM 180. APPLY PART NUMBER 2-23419-6 LOCTITE TO THREADS OF ITEM 242.
- 4 CRIMP HEIGHT REFERENCE SETTING WAS THE SETTING USED WHEN THE APPLICATOR WAS QUALIFIED AT THE FACTORY. ADJUSTMENT MAY BE NECESSARY WHEN RUNNING APPLICATOR IN THE FIELD.
- 5 APPLY TORO-SEAL IN ALLEN SOCKET TO FILL HOLE AFTER FLAT HD HAS BEEN ADJUSTED TO CORRECT HEIGHT AT QUALIFICATION. APPLY #1-23419-5 LOC-TITE TO THREADS.
- 6 UNLESS SPECIFIED OTHERWISE TORQUE VALUES SHALL BE USED PER DOCUMENT, 101-35000.
- 7 THIS CRIMP PARAMETER IS PROVIDED TO MEET A CUSTOM AND UNIQUE CUSTOMER REQUIREMENT. IT HAS BEEN EVALUATED AND IS CONDITIONALLY SPECIFIED BY TE CONNECTIVITY. THIS CUSTOMIZED CRIMP PARAMETER IS NOT LISTED AS AN APPROVED APPLICATION WITHIN THE TERMINAL MANUFACTURER'S SPECIFICATIONS. **TE CONNECTIVITY EXPRESSLY DISCLAIMS ANY AND ALL WARRANTIES THAT THE PRODUCT WILL PERFORM SIMILARLY TO VALIDATED AND APPROVED APPLICATIONS, AS STATED WITHIN THE MANUFACTURER'S APPLICATION SPECIFICATIONS, INCLUDING BUT NOT LIMITED TO IMPLIED WARRANTIES OF MERCHANTABILITY OR FITNESS FOR PARTICULAR PURPOSE.** AS SUCH, IT IS HIGHLY RECOMMENDED THAT THE CUSTOMER PERFORM FURTHER DETAILED EVALUATION TO ASSESS PRODUCT PERFORMANCE IN THE SPECIFIC APPLICATION AND OBTAIN APPROVAL FROM TERMINAL MANUFACTURER FOR THIS CUSTOM REQUIREMENT.

***WARNING**
ON INSTALLATION, SET WIRE DISC TO CRIMP HEIGHT REFERENCE SETTING FOR LARGEST WIRE SIZE. CRIMP HEIGHT REFERENCE SETTINGS GREATER THAN THE VALUE SHOWN MAY CAUSE DAMAGE TO THE CRIMP TOOLING, REFER TO THE INSTRUCTION SHEET FOR PROPER SETUP AND ADJUSTMENTS.

ATLANTIC VERSION
Shown on sheets 1 of 4 & 2 of 4
(Pacific version shown on sheets 3 of 4 & 4 of 4)

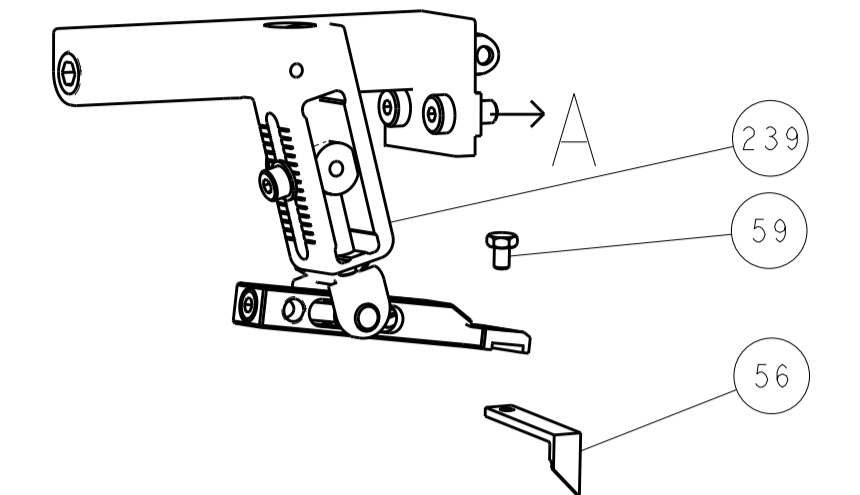
LOC	DIST	REV	DATE	BY	CHK	APP'D
A	66	C	13JUL2018	LG	TE	
		C1	27AUG2018	MZ	KZ	

REV	DATE	BY	CHK	APP'D	DESCRIPTION	ITEM NO		
-	-	-	1	1	-	1803515-3	RAM ASSEMBLY, SF ATLANTIC	293
-	-	-	1	1	-	2-1803583-1	APPLICATOR BASIC ASSEMBLY, SF	292
-	1	-	1	-	1	2119640-1	PUSH ROD, AIR FEED	250
-	1	-	1	-	1	1803259-1	BUSHING, FLANGED	249
-	1	-	1	-	1	2119641-1	FEED CAM, AIR FEED	248
-	1	1	1	1	1	2119082-6	CAM, SNAIL, INSULATION ADJUSTMENT	244
-	1	1	1	1	1	2079764-1	WASHER, WAVE SPRING, CREST-TO-CREST	243
-	1	1	1	1	1	2119083-1	RETAINER, INSULATION DIAL	242
-	1	1	1	1	1	7-18023-7	SCR, SKT HD CAP M3 X 4.0	241
-	-	1	-	1	-	2119580-1	MECHANICAL FEED ASSEMBLY	239
-	1	-	1	-	1	2063440-1	AIR FEED MODULE	238
-	-	-	1	1	-	4-1722335-3	STRIPPER, SIDE FEED	182
-	-	-	1	1	-	1-5018030-0	NUT, HEX, REG, RoHS, M3.5	181
-	-	-	1	1	-	1-1752354-9	STANDOFF,HOLD-DOWN	180
-	-	-	1	1	-	993111-1	PIN, SLOTTED SPRING 3.0 x 20.0	177
-	-	-	1	1	-	5-22280-0	SPRING, COMPRESSION	176
-	-	-	1	1	-	1752353-3	GUIDE PIN,HOLDDOWN	175
-	-	-	1	1	-	1901680-2	GUIDE PIN,HOLDDOWN	174
-	2	-	2	-	2	21045-3	RING, RETAIN, EXTERN, 3/16 CRESCENT	172
-	REF	REF	REF	REF	REF	994970-2	COUNTER, MAGNETIC	164
-	1	-	1	-	1	240638-1	SPRING, FEED FINGER	163
-	1	-	1	-	1	3-23627-7	PIN, RETAIN, GRVD, 3/16 X .854	137
-	1	-	1	-	1	2119799-1	HOLDER,FEED FINGER, AF	136
-	1	1	1	1	1	1-18028-2	WASHER, FLAT, REG M4	119
-	1	1	1	1	1	2844908-1	SCREW, LOCKING	99
-	1	1	1	1	1	2844907-1	POST, LOCKING	98
-	1	1	1	1	1	455888-4	SPACER, CRIMPER	82
-	1	1	1	1	1	1803607-1	DOCUMENTATION PACKAGE	71
-	1	1	1	1	1	2119740-1	TAG,IDENTIFICATION	67
-	2	2	2	2	2	2168078-1	SCREW, DRIVE, RH, RoHS, 2 x .188	66
-	1	1	1	1	1	2168083-2	SCR, SKT HD CAP, RoHS, M4 X 8.0	60
-	1	1	1	1	1	5-18022-5	SCR, HEX HD CAP, M4 X 6.0	59
-	1	1	1	1	1	985575-3	SCR, FLT SKT HD CAP M3 X 10.0	57
-	1	1	1	1	1	1338683-8	FEED PAWL	56
-	4	4	4	4	4	2168083-3	SCR, SKT HD CAP, RoHS, M4 X 12.0	54
-	2	2	2	2	2	1-2168083-0	SCR, SKT HD CAP, RoHS, M4 X 10	53
-	1	1	1	1	1	1803382-6	HOLD DOWN, SPRING LOADED	50
-	1	2	1	2	1	18023-9	SCR, SKT HD CAP M4 X 6.0	49
-	-	1	-	1	-	2119652-1	FEED CAM, PRE FEED	48
-	-	1	-	1	-	2119653-1	FEED CAM, POST FEED	47
-	1	1	-	-	1	1803583-9	APPLICATOR BASIC ASSEMBLY, SF	46
-	1	1	-	-	1	1803515-1	RAM ASSEMBLY, SF ATLANTIC	44
-	1	1	1	1	1	1803602-1	SCR, BHSC, RoHS (M8 X 25)	41
-	1	1	1	1	1	1752356-3	SUPPORT, TERMINAL	34
-	2	2	2	2	2	2079383-5	SCR, BHSC, RoHS (M4 X 20)	33
-	2	2	2	2	2	3-2844962-0	SPACER, CYLINDRICAL, STRIP GUIDE	30
-	1	1	1	1	1	2844992-1	ASSEMBLY, STRIP GUIDE	29
-	1	1	1	1	1	455888-3	SPACER, CRIMPER	28
-	1	1	1	1	1	1320928-6	STRIP GUIDE	24
-	1	1	-	-	1	2168083-2	SCR, SKT HD CAP, RoHS, M4 X 8.0	21
-	1	1	-	-	1	1-18028-2	WASHER, FLAT, REG M4	20
-	1	1	-	-	1	2119533-1	STRIPPER, SIDE FEED	19
-	1	1	1	1	1	2119806-1	INSERT, SHEAR	13
-	1	1	1	1	1	3-22280-3	SPRING, COMPRESSION	12
-	1	1	1	1	1	1-356885-4	STOP, SHEAR	11
-	1	1	1	1	1	2119805-1	SHEAR HOLDER, FRONT	10
-	1	1	1	1	1	318707-1	FLOATING SHEAR, FRONT	9
1	2	2	1	1	1	4-1633138-8	ANVIL, COMBINATION	8
-	-	-	-	-	-	-	-	7
-	-	-	-	-	-	-	-	6
-	1	1	1	1	1	2119781-5	DEPRESSOR, SHEAR	5
-	1	1	1	1	1	3-238011-3	BLOCK, CRIMPER SPACER	4
1	2	2	1	1	1	4-1633966-4	CRIMPER, INSULATION O	3
-	1	1	1	1	1	1-455888-2	SPACER, CRIMPER	2
1	2	2	1	1	1	4-568176-3	CRIMPER, WIRE	1

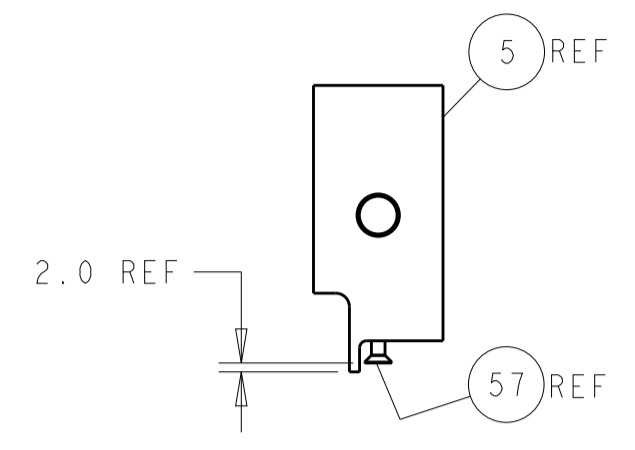
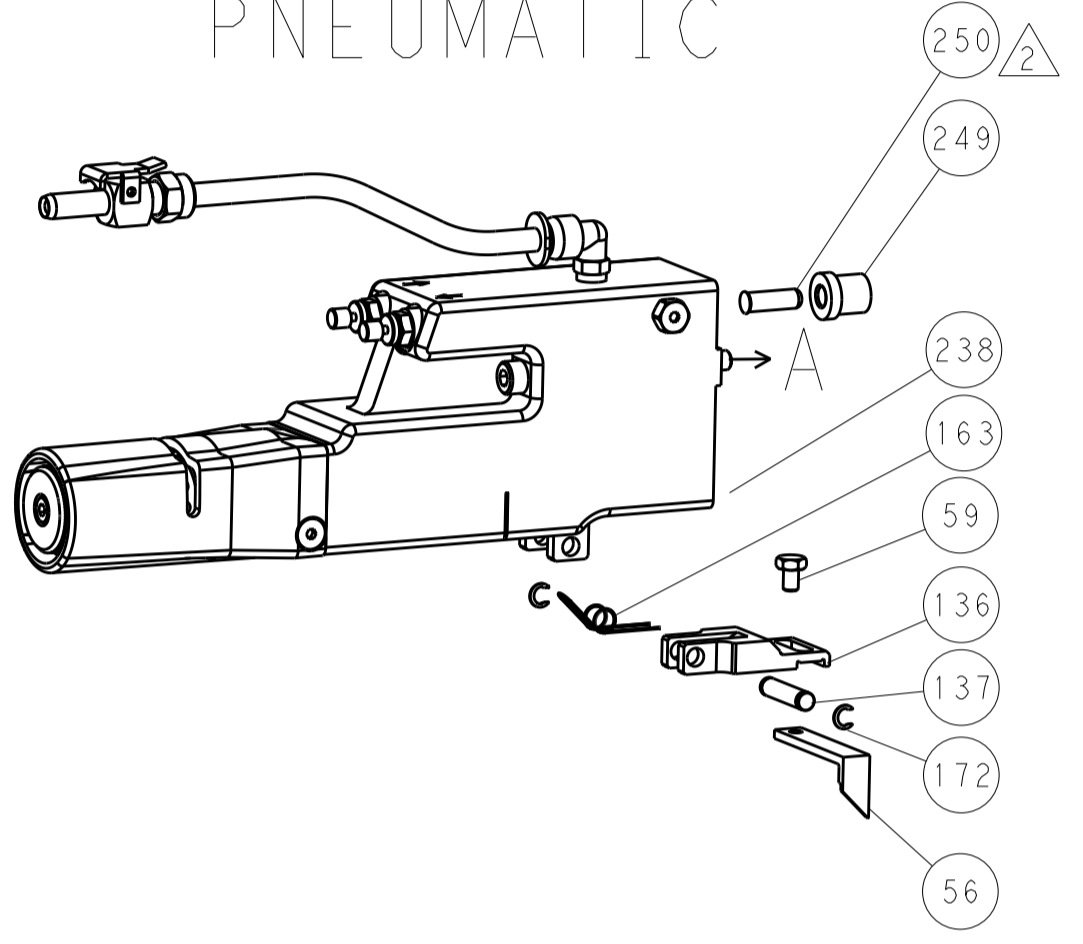
REV	DATE	BY	CHK	APP'D	DESCRIPTION	ITEM NO				
-77	-72	-71	-52	-51	-2	-1	PART NO			
<small>THIS IS A PRELIMINARY DRAWING. IT IS SUBJECT TO CHANGE WITHOUT NOTICE. THE CUSTOMER IS RESPONSIBLE FOR VERIFYING THE DIMENSIONS AND TOLERANCES OF THE PARTS USED IN THE ASSEMBLY. THE CUSTOMER SHALL BE CONTACTED FOR THE LATEST REVISION.</small>						TE Connectivity Harrisburg, PA 17105-3608				
DIMENSIONS: mm 0 PLC ± 1 PLC ± 2 PLC ± 3 PLC ± 4 PLC ± ANGLES ±					TOLERANCES UNLESS OTHERWISE SPECIFIED: 0 PLC ± 1 PLC ± 2 PLC ± 3 PLC ± 4 PLC ± ANGLES ±	DWG: Y. YIN 15AUG2012 CHK: G. BAILEY 15AUG2012 APP'D: S. XI 15AUG2012	NAME: Ocean Side Feed Applicator SIZE: A1 CAGE CODE: 00779 DRAWING NO: C=2151363 RESTRICTED TO: -			
MATERIAL: -					FINISH: -	WEIGHT: -	Customer Accessible Production Drawing	SCALE: 1:2	SHEET 1 OF 4	REV: C1

LOC	DIST	REV	DATE	BY	APP'D
A	66				

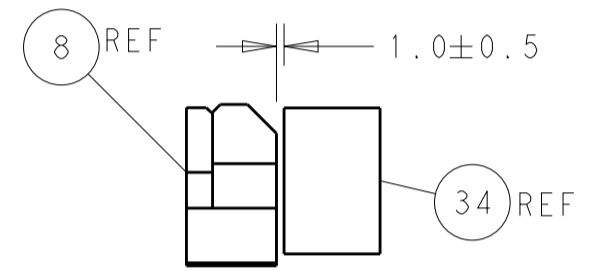
FEED TYPE MECHANICAL



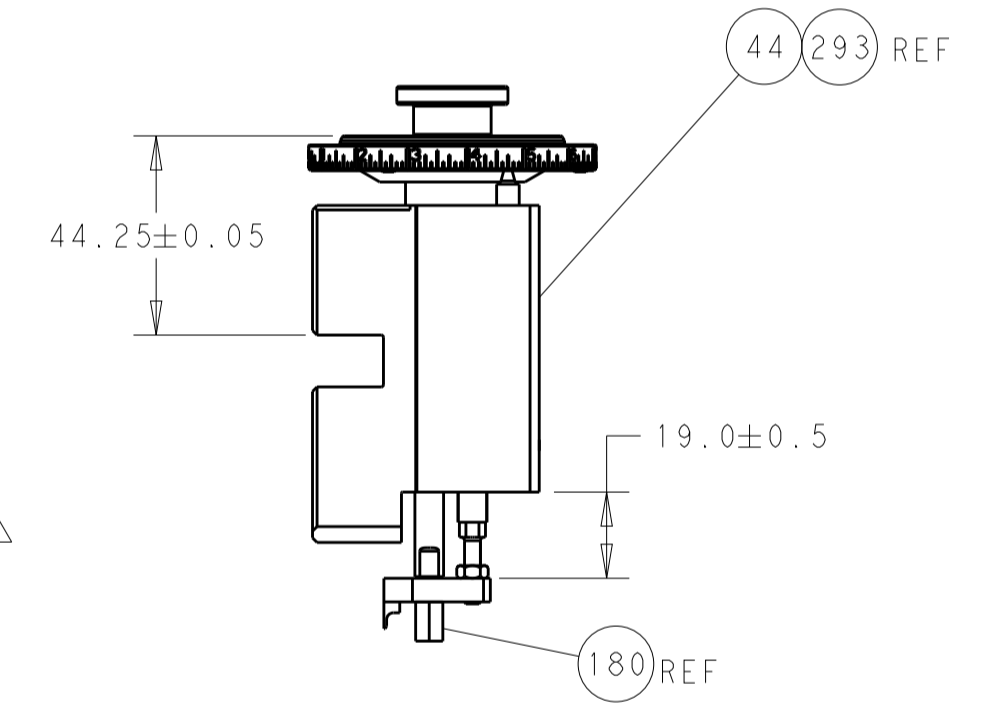
PNEUMATIC



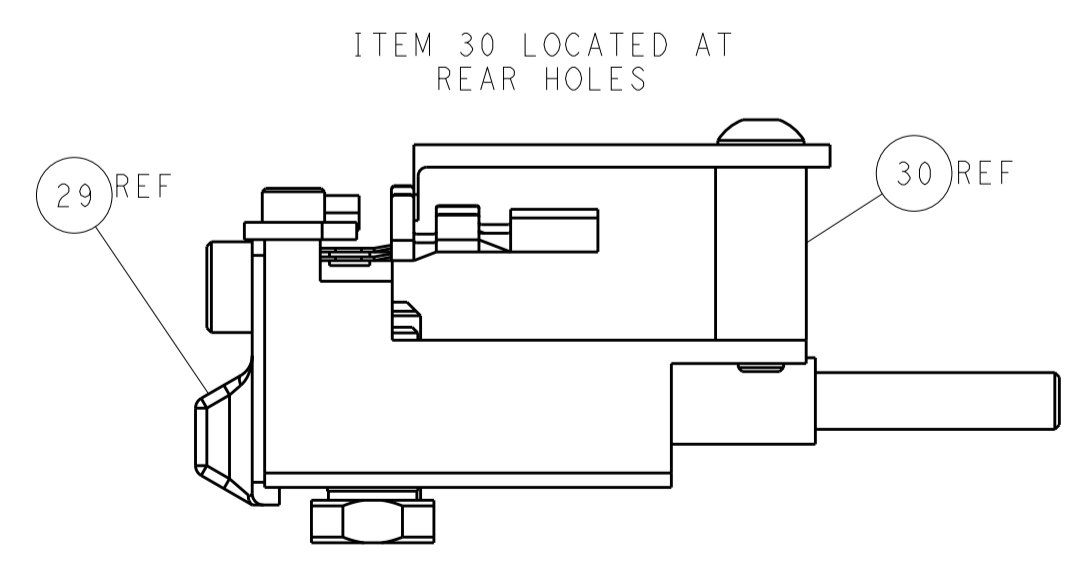
SHEAR DEPRESSOR DETAIL



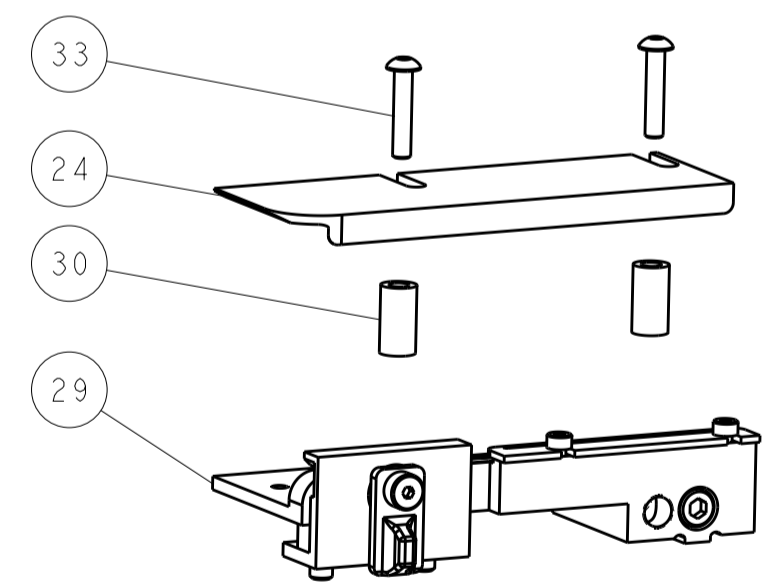
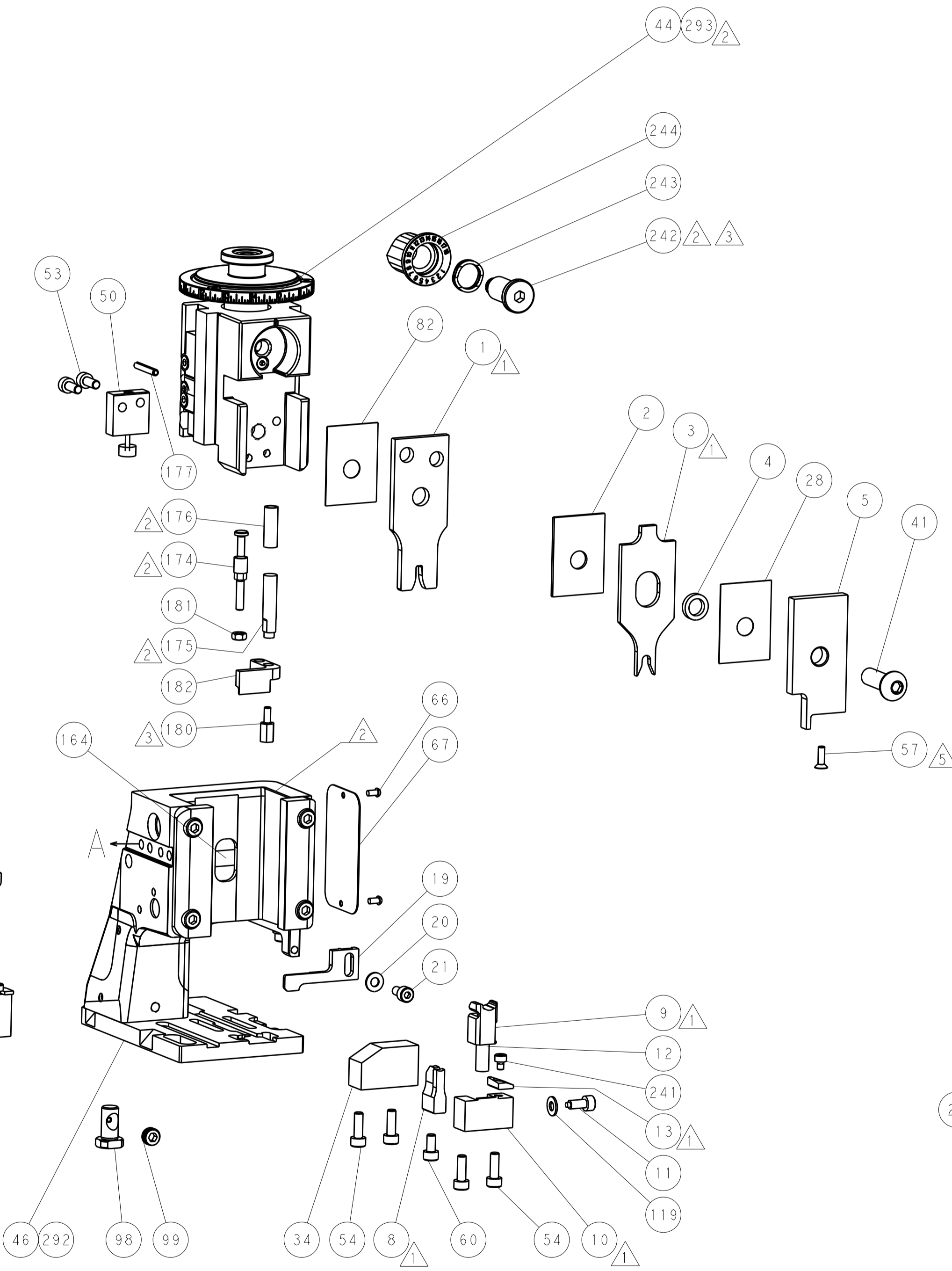
TERMINAL SUPPORT LOCATION



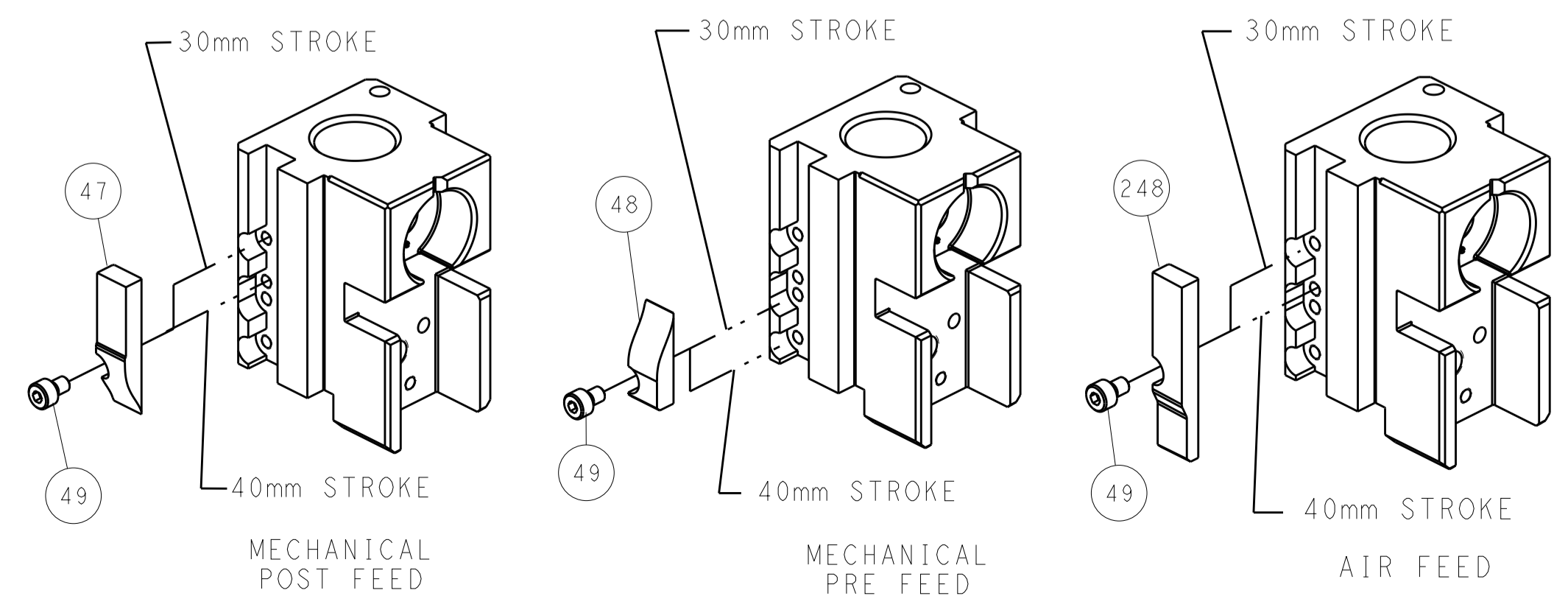
RAM AND HOLDDOWN SET-UP



FEED TRACK POSITION GUIDE BY INSULATION BARREL



CAM POSITIONS



ATLANTIC VERSION
 Shown on sheets 1 of 4 & 2 of 4
 (Pacific version shown on sheets 3 of 4 & 4 of 4)

DIMENSIONS: mm 		TOLERANCES UNLESS OTHERWISE SPECIFIED: 0 PLC ± 1 PLC ± 2 PLC ± 3 PLC ± 4 PLC ± ANGLES ±		DWN Y. YIN 15AUG2012 CHK G. BAILEY 15AUG2012 APVD S. XI 15AUG2012 NAME Ocean Side Feed Applicator SIZE CAGE CODE DRAWING NO. RESTRICTED TO A1 00779 ©=2151363 Customer Accessible Production Drawing SCALE 1:2 SHEET 2 OF 4 REV C1	
-----------------------	--	---	--	--	--

PART NUMBER	REVISION	DESCRIPTION	FEED TYPE
2-2151363-1	C	FINE CRIMP HEIGHT ADJUST	MECHANICAL
2-2151363-2	C	FINE CRIMP HEIGHT ADJUST	PNEUMATIC
7-2151363-7	C	CRIMP TOOLING KIT	-

PACIFIC VERSION TERMINATOR
INTERFACE ADAPTER



APPLICATOR DATA		
CRIMP	SIZE	TYPE
WIRE	2.97 mm [.117]	F
INSUL	4.32 mm [.170]	O

APPLICATOR INSTRUCTIONS
408-35042

TERMINAL DATA: DELPHI TERMINAL DELPHI CRIMP SPECIFICATION				
TERMINAL NAME: MALE WEATHER PACK I				
WIRE STRIP LENGTH	TERMINAL INSULATION DIAMETER RANGE			
4.75-5.51 mm [.187-.217 IN]	Ø 3.96mm MAX [.156 IN MAX]			
TERMINAL APPLICATION SPECIFICATION 12124580 PAGE 3 & 6 OF 26 Rev 2013-10-30				
TERMINALS APPLIED				
TE TERMINAL	DELPHI TERMINAL	TE SEAL	DELPHI SEAL	SEAL INSULATION DIAMETER RANGE
286638-1	12124582	286965-1	12015323	Ø 2.03-2.85mm
286510-1	12124580	1572716-3	15324980	Ø 2.81-3.49mm
		1949807-1	15324982	Ø 2.03-2.85mm

TERMINAL DATA: DELPHI TERMINAL DELPHI CRIMP SPECIFICATION				
TERMINAL NAME: MALE WEATHER PACK I				
WIRE STRIP LENGTH	TERMINAL INSULATION DIAMETER RANGE			
4.75-5.51 mm [.187-.217 IN]	Ø 3.96mm MAX [.156 IN MAX]			
TERMINAL APPLICATION SPECIFICATION				
TERMINALS APPLIED				
TE TERMINAL	DELPHI TERMINAL	TE SEAL	DELPHI SEAL	SEAL INSULATION DIAMETER RANGE
286638-1	12124582	286965-1	12015323	Ø 2.03-2.85mm
286510-1	12124580	1572716-3	15324980	Ø 2.81-3.49mm
		1949807-1	15324982	Ø 2.03-2.85mm

WIRE SIZE	CRIMP HEIGHT mm [INCH]	CRIMP HEIGHT REFERENCE SETTING
2.00mm2	1.45+/-0.05 [1.057+/-0.002]	8.1
1.00mm2	1.40+/-0.05 [1.055+/-0.002]	8.3

WIRE SIZE	CRIMP HEIGHT mm [INCH]	CRIMP HEIGHT REFERENCE SETTING
16 AWG OR 1.25mm2	1.42+/-0.05 [1.056+/-0.002]	8.2

- 1 RECOMMENDED SPARE PARTS
- 2 REFER TO SUPPLIED INSTRUCTION SHEET FOR CLEANING, LUBRICATION & STORAGE OF APPLICATOR.
- 3 APPLY PART NUMBER 2-23419-6 LOCTITE TO THREADS OF ITEM 242.
- 4 CRIMP HEIGHT REFERENCE SETTING WAS THE SETTING USED WHEN THE APPLICATOR WAS QUALIFIED AT THE FACTORY. ADJUSTMENT MAY BE NECESSARY WHEN RUNNING APPLICATOR IN THE FIELD.
- 5 APPLY TORQ-SEAL IN ALLEN SOCKET TO FILL HOLE AFTER FLAT HD HAS BEEN ADJUSTED TO CORRECT HEIGHT AT QUALIFICATION. APPLY #1-23419-5 LOC-TITE TO THREADS.
- 6 UNLESS SPECIFIED OTHERWISE TORQUE VALUES SHALL BE USED PER DOCUMENT, 101-35000.
- 7 THIS CRIMP PARAMETER IS PROVIDED TO MEET A CUSTOM AND UNIQUE CUSTOMER REQUIREMENT. IT HAS BEEN EVALUATED AND IS CONDITIONALLY SPECIFIED BY TE CONNECTIVITY. THIS CUSTOMIZED CRIMP PARAMETER IS NOT LISTED AS AN APPROVED APPLICATION WITHIN THE TERMINAL MANUFACTURER'S SPECIFICATIONS. **TE CONNECTIVITY EXPRESSLY DISCLAIMS ANY AND ALL WARRANTIES THAT THE PRODUCT WILL PERFORM SIMILARLY TO VALIDATED AND APPROVED APPLICATIONS, AS STATED WITHIN THE MANUFACTURER'S APPLICATION SPECIFICATIONS, INCLUDING BUT NOT LIMITED TO IMPLIED WARRANTIES OF MERCHANTABILITY OR FITNESS FOR PARTICULAR PURPOSE.** AS SUCH, IT IS HIGHLY RECOMMENDED THAT THE CUSTOMER PERFORM FURTHER DETAILED EVALUATION TO ASSESS PRODUCT PERFORMANCE IN THE SPECIFIC APPLICATION AND OBTAIN APPROVAL FROM TERMINAL MANUFACTURER FOR THIS CUSTOM REQUIREMENT.

***WARNING**
ON INSTALLATION, SET WIRE DISC TO CRIMP HEIGHT REFERENCE SETTING FOR LARGEST WIRE SIZE. CRIMP HEIGHT REFERENCE SETTINGS GREATER THAN THE VALUE SHOWN MAY CAUSE DAMAGE TO THE CRIMP TOOLING, REFER TO THE INSTRUCTION SHEET FOR PROPER SETUP AND ADJUSTMENTS.

PACIFIC VERSION
Shown on sheets 3 of 4 & 4 of 4
(Atlantic version shown on sheets 1 of 4 & 2 of 4)

LOC	DIST	REV	DATE	BY	APPV
A	66				

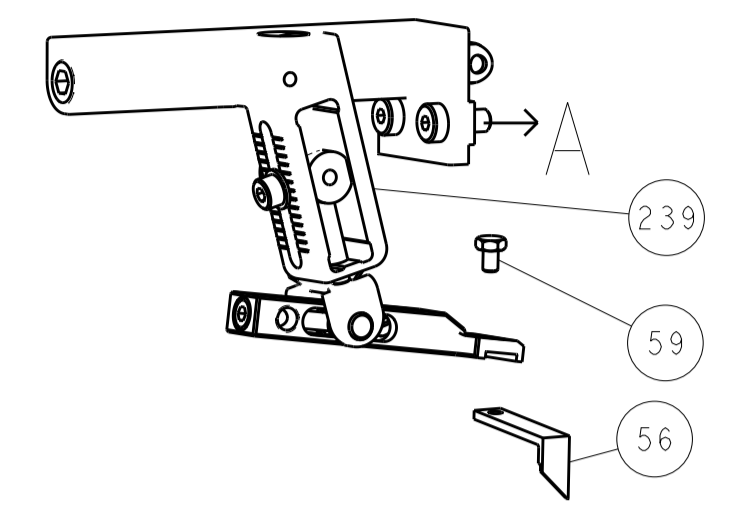
REV	DATE	BY	APPV	DESCRIPTION	ITEM NO	
-	1	-		2119640-1	PUSH ROD, AIR FEED	250
-	1	-		1803259-1	BUSHING, FLANGED	249
-	1	1		2119082-6	CAM, SNAIL, INSULATION ADJUSTMENT	244
-	1	1		2079764-1	WASHER, WAVE SPRING, CREST-TO-CREST	243
-	1	1		2119083-1	RETAINER, INSULATION DIAL	242
-	1	1		7-18023-7	SCR, SKT HD CAP M3 X 4.0	241
-	-	1		2119580-1	MECHANICAL FEED ASSEMBLY	239
-	1	-		2063440-1	AIR FEED MODULE	238
-	2	-		21045-3	RING, RETAIN, EXTERN, 3/16 CRESCENT	172
-	REF	REF		994970-2	COUNTER, MAGNETIC	164
-	1	-		240638-1	SPRING, FEED FINGER	163
-	1	-		2119641-2	FEED CAM, AIR FEED	151
-	1	1		2168083-8	SCR, SKT HD CAP, RoHS, M4 X 16	144
-	4	4		2168083-9	SCR, SKT HD CAP, RoHS, M4 X 20	143
-	-	1		2119653-2	FEED CAM, POST FEED	142
-	1	1		1-1803583-0	APPLICATOR BASIC ASSEMBLY, SF	141
-	1	1		1803516-1	RAM ASSEMBLY, SF PACIFIC	140
-	1	-		3-23627-7	PIN, RETAIN, GRVD, 3/16 X .854	137
-	1	-		2119799-1	HOLDER, FEED FINGER, AF	136
-	1	1		1-18028-2	WASHER, FLAT, REG M4	119
-	1	1		2844908-1	SCREW, LOCKING	99
-	1	1		2844907-1	POST, LOCKING	98
-	1	1		455888-4	SPACER, CRIMPER	82
-	1	1		1803607-1	DOCUMENTATION PACKAGE	71
-	1	1		2119740-1	TAG, IDENTIFICATION	67
-	2	2		2168078-1	SCREW, DRIVE, RH, RoHS, 2 x .188	66
-	1	1		5-18022-5	SCR, HEX HD CAP, M4 X 6.0	59
-	1	1		985575-3	SCR, FLT SKT HD CAP M3 X 10.0	57
-	1	1		1338683-8	FEED PAWL	56
-	2	2		1-2168083-0	SCR, SKT HD CAP, RoHS, M4 X 10	53
-	1	1		1803382-6	HOLD DOWN, SPRING LOADED	50
-	1	2		18023-9	SCR, SKT HD CAP M4 X 6.0	49
-	-	1		2119652-1	FEED CAM, PRE FEED	48
-	1	1		1803602-1	SCR, BHSC, RoHS (M8 X 25)	41
-	1	1		1752356-3	SUPPORT, TERMINAL	34
-	2	2		2079383-5	SCR, BHSC, RoHS (M4 X 20)	33
-	2	2		3-2844962-0	SPACER, CYLINDRICAL, STRIP GUIDE	30
-	1	1		2844992-1	ASSEMBLY, STRIP GUIDE	29
-	1	1		455888-3	SPACER, CRIMPER	28
-	1	1		1320928-6	STRIP GUIDE	24
-	1	1		2168083-2	SCR, SKT HD CAP, RoHS, M4 X 8.0	21
-	1	1		1-18028-2	WASHER, FLAT, REG M4	20
-	1	1		2119533-1	STRIPPER, SIDE FEED	19
-	1	1		2119806-1	INSERT, SHEAR	13
-	1	1		3-22280-3	SPRING, COMPRESSION	12
-	1	1		1-356885-4	STOP, SHEAR	11
-	1	1		2119805-1	SHEAR HOLDER, FRONT	10
-	1	1		318707-1	FLOATING SHEAR, FRONT	9
1	1	1		4-1633138-8	ANVIL, COMBINATION	8
-	-	-		-	-	7
-	-	-		-	-	6
-	1	1		2119781-5	DEPRESSOR, SHEAR	5
-	1	1		3-238011-3	BLOCK, CRIMPER SPACER	4
1	1	1		4-1633966-4	CRIMPER, INSULATION O	3
-	1	1		1-455888-2	SPACER, CRIMPER	2
1	1	1		4-568176-3	CRIMPER, WIRE	1

DIMENSIONS:		TOLERANCES UNLESS OTHERWISE SPECIFIED:		DRAWN		CHK		APPV	
mm	0 PLC ±	1 PLC ±	2 PLC ±	3 PLC ±	4 PLC ±	5 PLC ±	ANGLES ±	FINISH	
MATERIAL									

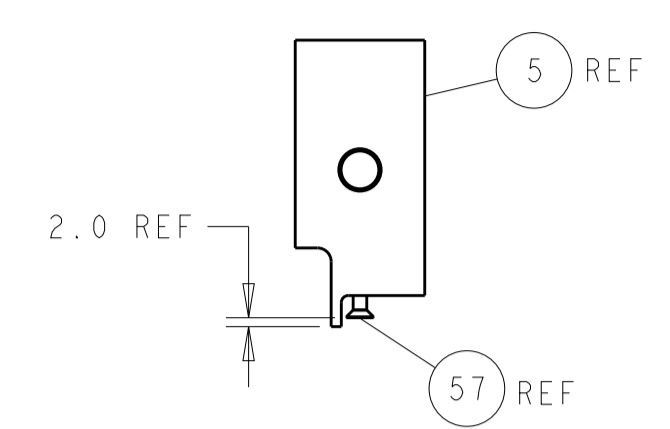
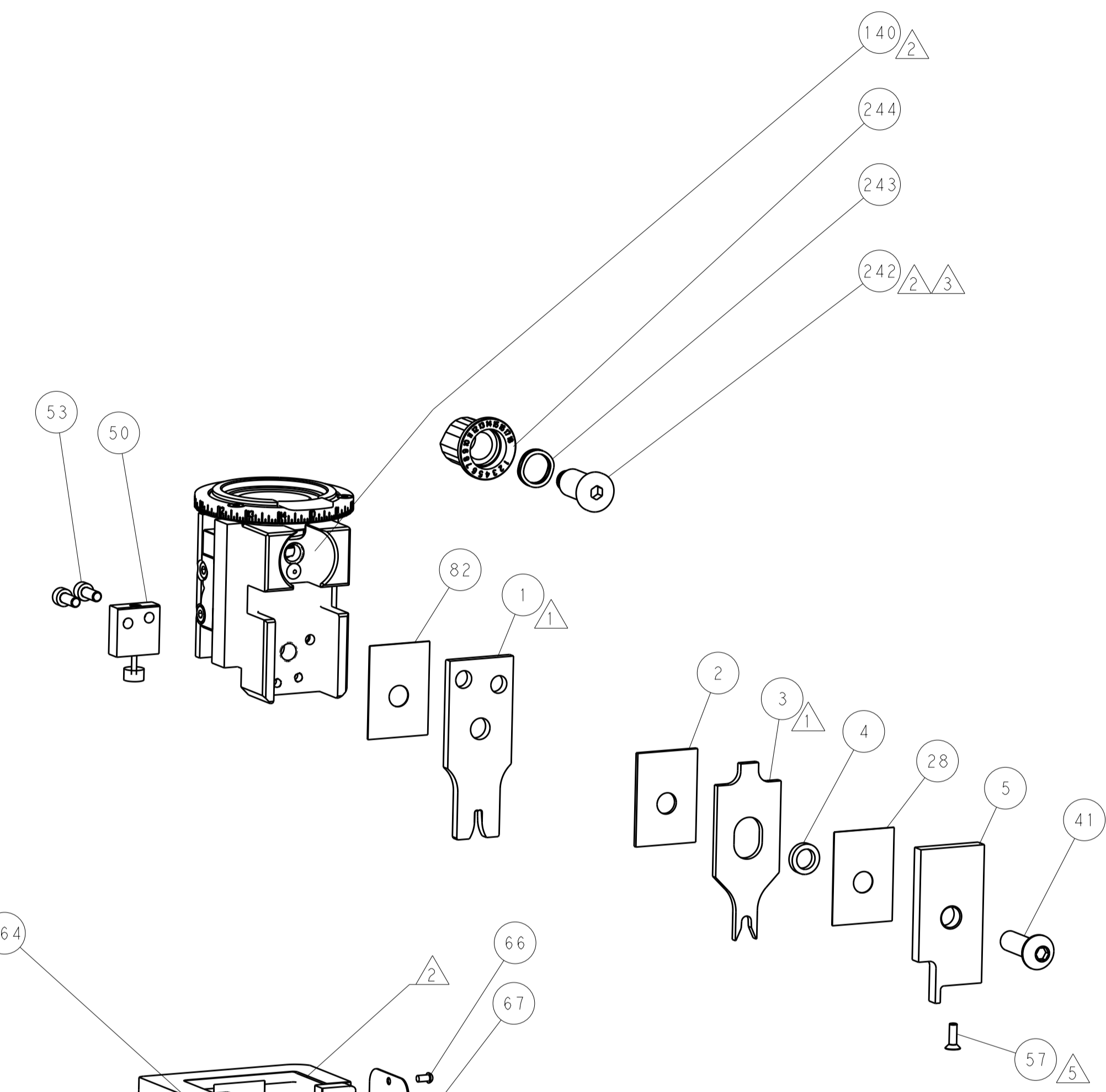
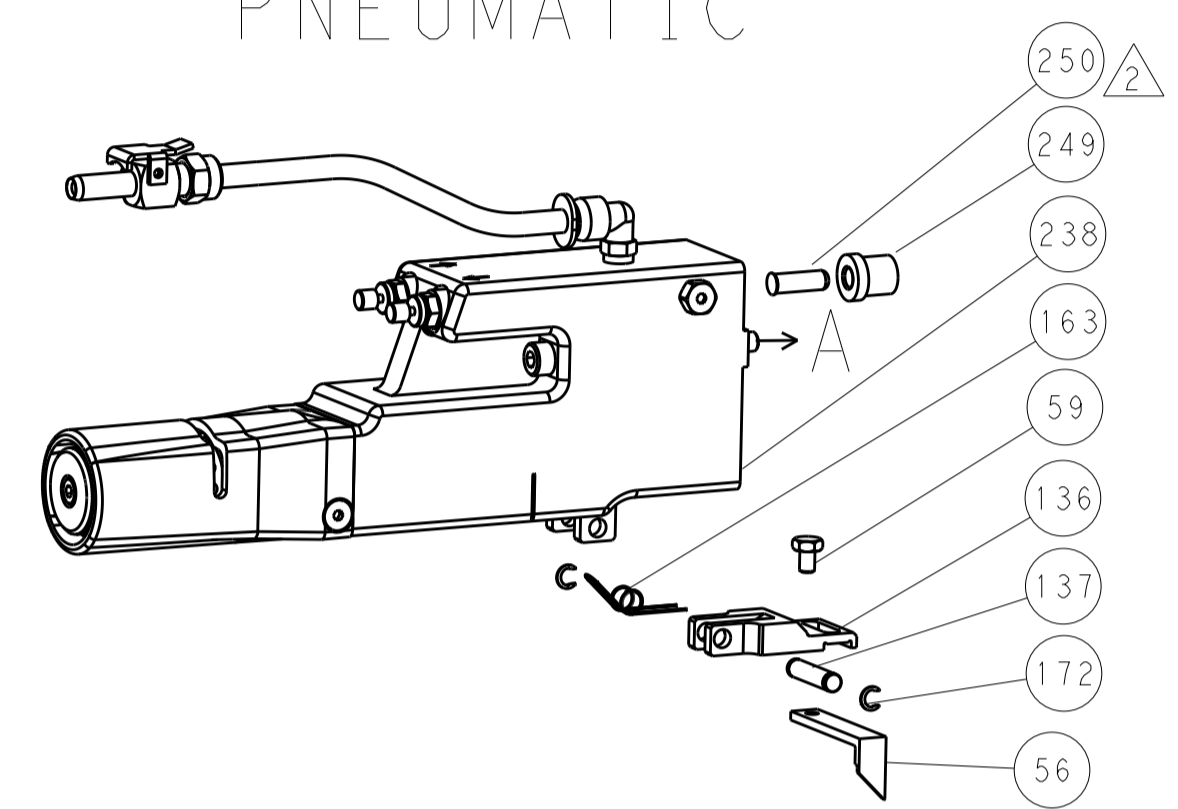
DATE	15AUG2012	DATE	15AUG2012
NAME	G. BAILEY	NAME	S. XI
PRODUCT SPEC		APPLICATION SPEC	
SIZE	A1	CAGE CODE	00779
DRAWING NO	2151363	SCALE	1:2
SHEET	3	OF	4
REV	C1		

LOC	DIST	REVISIONS					
		P	LTN	DESCRIPTION	DATE	DWN	APVD
A	66	-	-	SEE SHEET 1	-	-	-

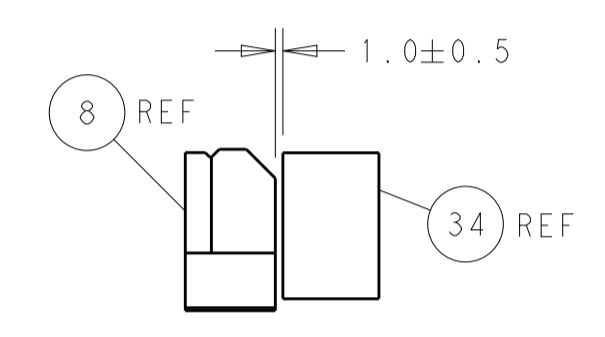
FEED TYPE MECHANICAL



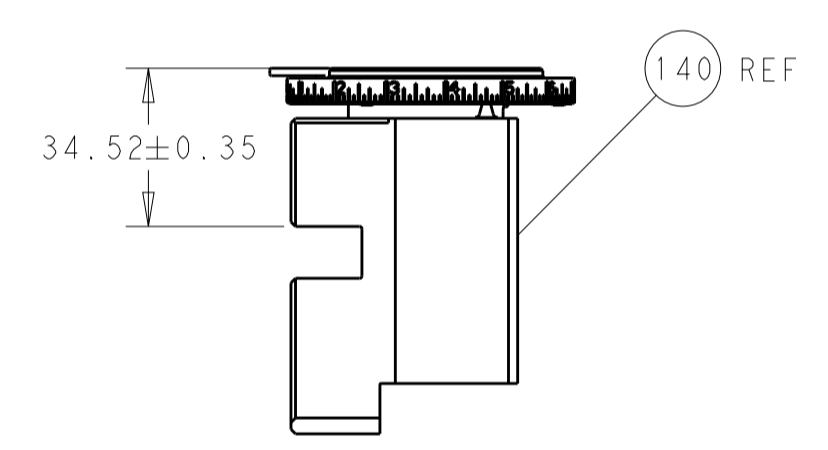
PNEUMATIC



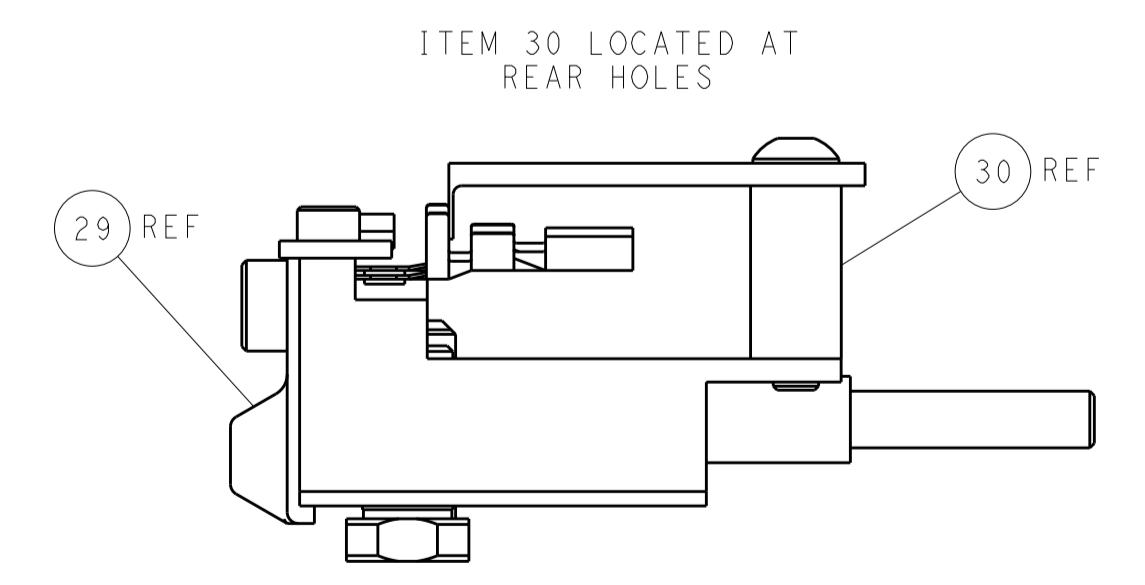
SHEAR DEPRESSOR DETAIL



TERMINAL SUPPORT LOCATION

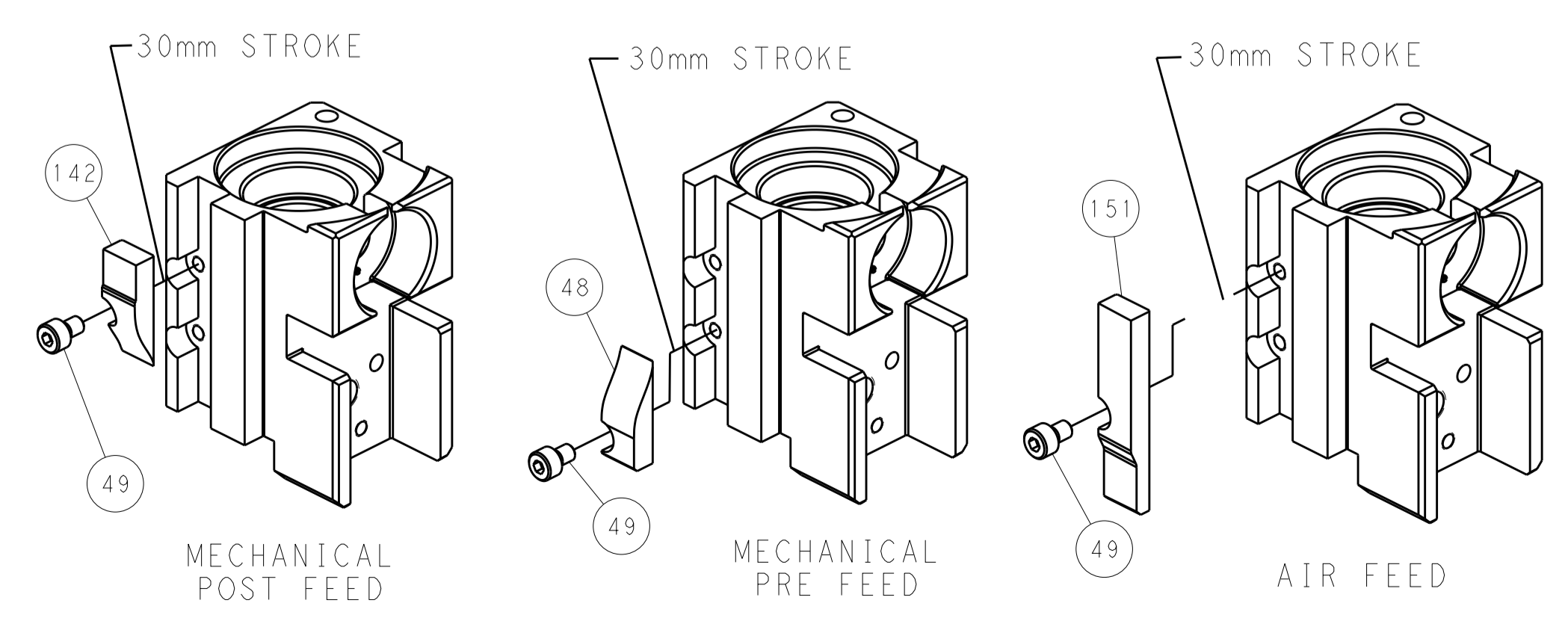


RAM SET-UP



FEED TRACK POSITION GUIDE BY INSULATION BARREL

CAM POSITIONS



PACIFIC VERSION
 Shown on sheets 3 of 4 & 4 of 4
 (Atlantic version shown on sheets 1 of 4 & 2 of 4)

<small>THE INFORMATION CONTAINED HEREIN IS UNCLASSIFIED EXCEPT WHERE SHOWN OTHERWISE. IT IS SUBJECT TO CHANGE WITHOUT NOTICE AND WITHOUT NOTICE TO THE USER. CONTACT THE ORGANIZATION FOR THE LATEST REVISION.</small>		DWN: Y. YIN 15AUG2012 CHK: G. BAILEY 15AUG2012 APVD: S. XI 15AUG2012	NAME: TE Connectivity Harrisburg, PA 17105-3608
DIMENSIONS: mm TOLERANCES UNLESS OTHERWISE SPECIFIED: 0 PLC ± 1 PLC ± 2 PLC ± 3 PLC ± 4 PLC ± ANGLES ±	PRODUCT SPEC APPLICATION SPEC WEIGHT MATERIAL FINISH	SIZE: CAGE CODE DRAWING NO: A1 00779 C=2151363 RESTRICTED TO:	SCALE: 1:2 SHEET 4 OF 4 REV C1